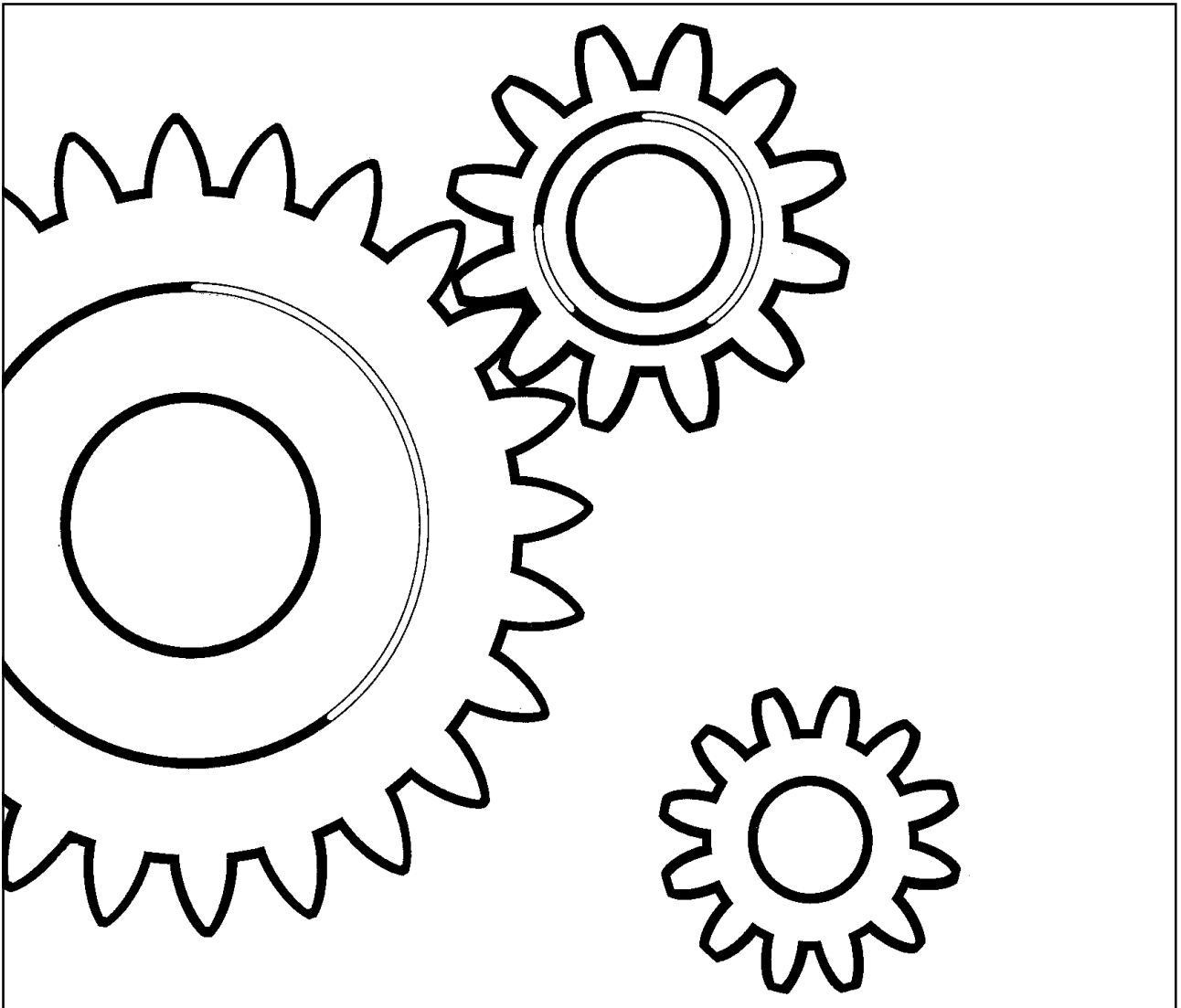


**DYNAPAC
CC522
SPARE PARTS
CATALOGUE
SCC522-1EN3**



DYNAPAC

Box 504, SE-371 23 Karlskrona, Sweden
Phone: +46 455 30 60 00, Fax: +46 455 30 60 10
www.dynapac.com

Vibratory Tandem Roller CC522

Spare Parts Catalogue SCC522-1EN3

Valid from roller serial number:

62910523* - *62910700

Diesel engines:

CUMMINS 4BTA 3.9 Elite

Published catalogue issues valid for these rollers:

<i>Catalogue</i>	<i>Issue date</i>	<i>Valid for serial numbers</i>
<i>S422EN1</i>	<i>1997-03</i>	<i>Replaced by S422EN2</i>
<i>S422EN2</i>	<i>1999-05</i>	<i>Replaced by SCC522-1EN1</i>
<i>SCC522-1EN1</i>	<i>2000-05</i>	<i>Replaced by SCC522-1EN2</i>
<i>SCC522-1EN2</i>	<i>2002-06</i>	<i>Replaced by SCC522-1EN3</i>
<i>SCC522-1EN3</i>	<i>2004-12</i>	<i>See above</i>



RESERVDLSBESTÄLLNING

Följande uppgifter ska lämnas vid beställning av reservdelar för att undvika leveransfel:

1. Maskintyp.
2. Vältensserienummer.
3. Antal av önskad reservdel.
4. Reserdelens artikelnummer.
5. Reservdelens benämning.
6. Måttuppgifter vid beställning av metervara.

ERSATZTEILBESTELLUNG

Zur Vermeidung von Fehllieferungen sind bei der Bestellung von Ersatzteilen folgende Angaben zu machen:

1. Maschinentyp.
2. Herstellungsnummer.
3. Bestellmenge. (Quantity)
4. Ersatzteilnummer. (Part N°)
5. Ersatzteilbenennung. (Denomination)
6. Massangaben bei Bestellung von Meterware.

PEDIDO DE RECAMBIOS

Para evitar errores en las entregas, deberán indicarse los siguientes datos al hacer un pedido de recambios:

1. Tipo de máquina.
2. Número de serie.
3. Cantidad de piezas deseadas. (Quantity)
4. Número de artículo de la pieza de recambio. (Part N°)
5. Denominación de la pieza. (Denomination)
6. Indíquese la medida al solicitar un artículo que se expide por metros.

ORDERING SPARE PARTS

To avoid errors in delivery, please give the following information when ordering spare parts:

1. Type of machine.
2. Roller serial number.
3. Quantity required.
4. Part number.
5. Parts denomination.
6. Dimensions when ordering per length.

ORDINI DI RICAMBI

Per evitare errori nelle consegne di ricambi, Vi preghiamo di comunicarci le seguenti informazioni al momento dell'ordinazione:

1. Tipo di macchina.
2. Numero di serie della macchina.
3. Quantità dei pezzi desiderati. (Quantity)
4. Numero di codice del pezzo. (Part N°)
5. Descrizione del pezzo di ricambio. (Denomination)
6. Misura, in caso di ordine per metro.

COMMANDE DE PIÈCES DE RECHANGE

Les indications suivantes doivent être fournies lors de la commande de pièces de rechange, afin d'éviter toute erreur de livraison:

1. Type de machine.
2. Numéro de série.
3. Quantité désirée de pièce de rechange. (Quantity)
4. Numéro de la pièce de rechange. (Part N°)
5. Dénomination de la pièce de rechange. (Denomination)
6. Longueur en cas de commande au mètre.

YOUR AGENT/DEALER:

PÄRMETIKETT

För att undvika fel vid reservdelsbeställning finns här nedan två etiketter som passar i fickorna på pärmarnas ryggar. På dessa kan man se från vilket vältnummer av aktuell maskin reservdelskatalogen gäller. Gör så här:

1. Tag denna sida ur pärmen.
2. Klipp ut etiketten till **VÄNSTER** (1) och sätt in den i fickan på **DENNA** pärmens rygg.
3. Finns det en etikett till **HÖGER** (2), kan denna användas på pärmen för **FÖREGÅENDE** utgåva av denna katalog.
4. Kasta detta papper.

KATALOG-BESCHRIFTUNG

Zur Vermeidung von Fehlern bei der Ersatzteilbestellung benutzen Sie bitte die unteren Beschriftungen, um die Kataloge auf der Rückseite zu kennzeichnen. Auf der Beschriftung ist angegeben, für welche Maschinennummern der jeweilige Katalog gültig ist. Ablauf:

1. Nehmen Sie dieses Blatt aus dem Katalog.
2. Schneiden Sie die **LINKE** Beschriftung (1) aus. Schieben Sie die Beschriftung in die tasche auf **DEM** Katalogrücke.
3. Sollte die Beschriftung unten **RECHTS** (2) mitgeliefert werden, kennzeichnen Sie damit bitte die **ÄLTERE** Ausführung dieses Kataloges.
4. Den Rest dieses Blattes bitte vernichten.

ETIQUETA PARA LA CARPETA

Para evitar errores al pedir repuestos utilicen las etiquetas abajo descritas para identificar los catálogos en la parte trasera de la carpeta. En la etiqueta se ven los números de referencia de la serie para la cual es válido el catálogo. Instrucciones:

1. Quitar esta página de la carpeta.
2. Corta la etiqueta **IZQUIERDA** (1) y ponerla en **ESTA** carpeta en la parte trasera.
3. Si hay una etiqueta en la parte **DERECHA** (2) se puede utilizar en la carpeta para el catálogo que **PRECEDE** a esta.
4. Tirar esta hoja.

BINDER LABEL

To avoid errors when ordering spare parts use the labels below to identify the catalogues on the back of the binder. The label contain the serial number range for which the catalogue is valid. Do like this:

1. Remove this page from the binder.
2. Cut out the **LEFT** label (1) and put it on **THIS** binders back.
3. If there is a label to the **RIGHT** (2), it can be used on the binder for **PRECEDING** issue of this catalogue.
4. Throw away this paper.

ETICHETTAPOSTASULRACCOGLITORE

Per evitare errori quando ordinate pezzi di ricambio, usate le etichette in calce che servono ad identificare i cataloghi sul retro del raccoglitore. L'etichetta indica il numero di matricola delle macchine prese in considerazione nel catalogo.

1. Rimuovete questa pagina dal raccoglitore.
2. Ritagliate l'etichetta posta a **SINISTRA** (1) e ponetela sul retro **DEL** raccoglitore.
3. Se trovate anche un'etichetta sulla **DESTRA** (2), ritagliatela e ponetela sul raccoglitore relativo alla **PRECEDENTE** edizione del catalogo.
4. Distruggete questo foglio.

ETIQUETAGE DU CATALOGUE

Afin d'éviter des erreurs lors de commandes de pièces de rechange, nous vous conseillons d'apposer les marquages ci-dessous à l'arrière du classeur, pour identifier les catalogues. Ce marquage indique les numéros de série pour lesquels le catalogue est adapté. Il convient de procéder de la façon suivante:

1. Retirez cette page du classeur.
2. Découpez l'étiquette de **GAUCHE** (1), et apposez-la à l'arrière de **CE** catalogue.
3. Si il y a une étiquette à **DROITE** (2), vous pourrez l'apposer sur le classeur de l'edition **PRECEDENTE** du catalogue.
4. Détruire cette feuille.

1.



CC522 SN 62910523 - 62910700		2
Service kits		4
938551	Service kit 50 h From 62910524	6
938527	Service kit 250/750 h	8
938552	Service kit 500 h From 62910524	10
938553	Service kit 1000 h From 62910524	12
Repair kits		14
938904	Eccentric shaft kit Up to 62910624	16
938905	Eccentric shaft kit From 62910625	18
938891	Drum rotation kit	20
938918	Scraper kit CC522	22
938888	Shock absorber kit, drum	24
938558	Steering hitch kit	26
Frames		28
	Frames	30
	Covers, ladders	32
	Scrapers, standard, front drum	36
	Scrapers, standard, rear drum	38
	Scrapers, spring loaded Foldable	40
	Articulated link	42
	Structure	44
	Noise suppression	48
	Sprinkler systems, tanks	50
	Sprinkler system, front	54
	Sprinkler system, rear	58
923690	Water pump Up to 62910533	62
903987	Sprinkling pump From 62910534	64
	Sprinkler mats	66
Drum		68
	Drum, standard, front/rear	70
Engine		74
	Diesel engine CUMMINS 4BTA 3.9	76
	Radiator/cooler Up to 62910523	78
	Radiator/cooler From 62910534	80
	Intake system	82
	Fuel system CUMMINS 4BTA 3.9	84
	Exhaust system	86
	Pumpdrive and coupling	88
359151	Gear box Up to 62910639	90
373354	Gear box From 62910640	92
Hydraulic system		94
	Propulsion system, pump	96
359142	Hydraulic pump, propulsion	98
	Propulsion system, motors	102
359143	Hydraulic motor, propulsion, front Up to 62910562	104
374481	Hydraulic motor, propulsion, front From 62910563 Up to 62910564	108
359143	Hydraulic motor, propulsion, front From 62910565	104
359144	Hydraulic motor, propulsion, rear Up to 62910562	116
374482	Hydraulic motor, propulsion, rear From 62910563 Up to 62910564	120

359144	Hydraulic motor, propulsion, rear From 62910565	116
	Shut-off valve Option	128
	Vibration system, pump Up to 62910629	130
	Vibration system, pump From 62910630	134
359141	Hydraulic pump, vibration	136
359140	Valve Vibration	140
	Vibration system, motors	142
370260	Hydraulic motor, vibration	144
	Steering system Up to 62910523	146
	Steering system From 62910524 Up to 62910630	150
	Steering system From 62910631	154
359145	Steering valve	158
372991	Hydraulic pump steering	160
373410	Hydraulic cylinder Up to 62910621	162
375031	Hydraulic cylinder From 62910622	164
	Hydraulic oil tank	166
	Offset drum Up to 62910523	168
	Offset drum From 62910524	170
	Valve Offset drum	172
371438	Cylinder, offset drum	174
373406	Cylinder, offset drum	176
	Brake system	178

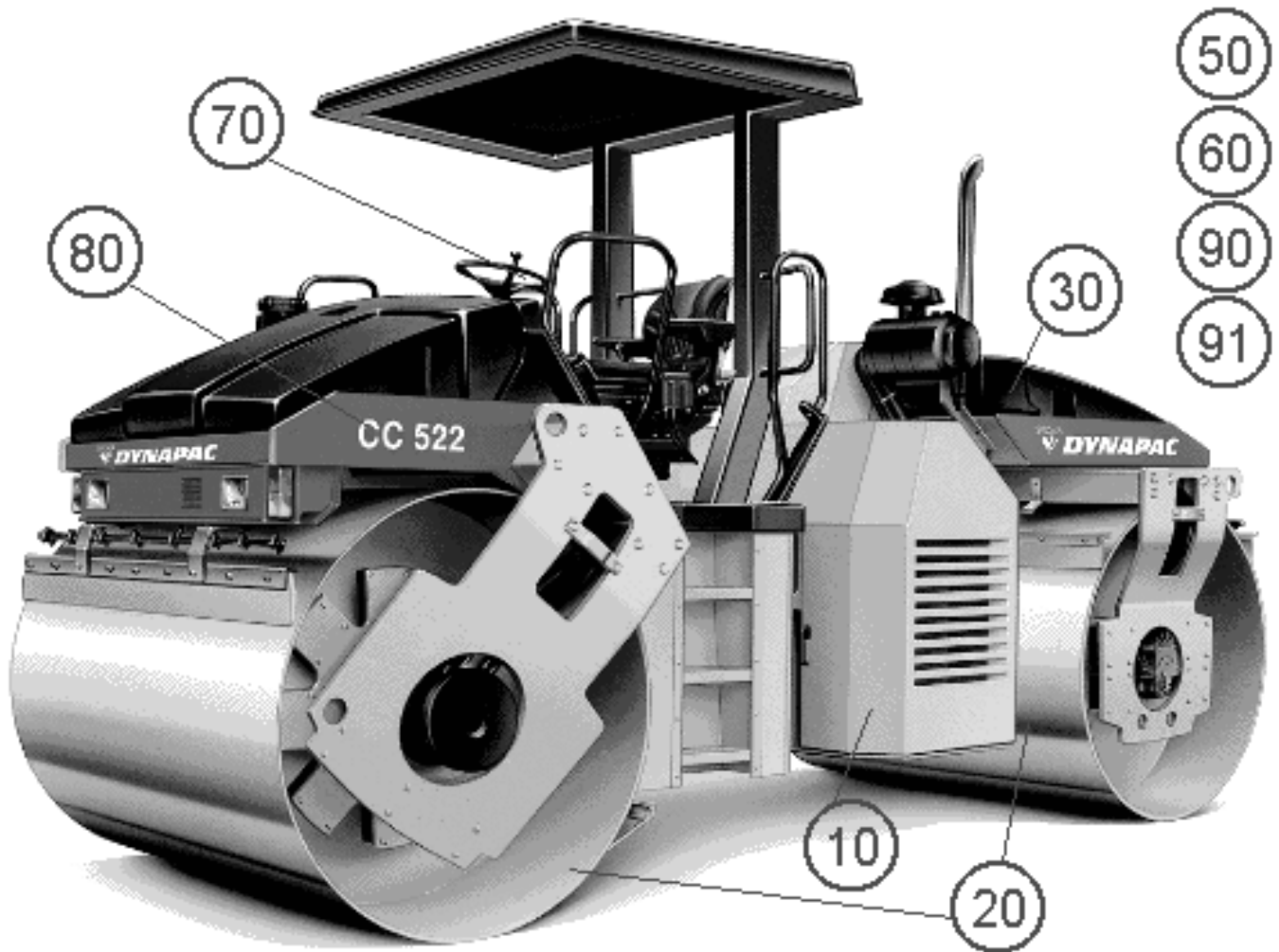
Electrical equipment **180**

	Electrical equipment	182
	Electrical equipment, additional for cab	186
	Instrument box	188
	Instrument panel, main	190
	Speed and frequency, sensors	192
	Instrument panel, upper left	194
	Instrument panel, upper right	196
	Instrument panel, lower left	198
	Instrument panel, lower right	200
	Instrument panel, relay, fuses	202
	Emergency stop panel	204
	Driving lights Direction & licenseplate light Up to 62910638	206
	Driving lights Direction & licenseplate light From 62910639	208
	Working lights with/without Rops Up to 62910638	210
	Working lights with/without Rops From 62910639	212
	Working lights, cab	214
	Protection cover, Head light Option	216
	Rotating beacon	218
	Tachograph	220
	Offset drum Electrical equipment	222

Drivers platform **224**

	Drivers platform	226
	Drivers platform, for cab	228
	Drivers seat, turn-over	230
	Drivers seat, turn-over, in cab	232
359918	Steering column	234
	Cross sliding Controls (version 1)	236
	Cross sliding Controls	238
	Cross sliding, carrier	240
	Forward and reverse control Version 1	242
	Forward and reverse control	244
	Speed limiter Option	246
	Engine control	248

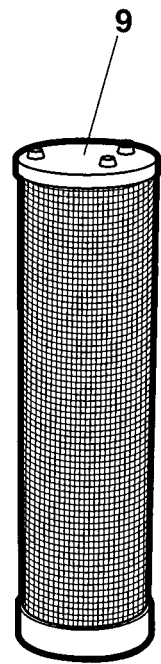
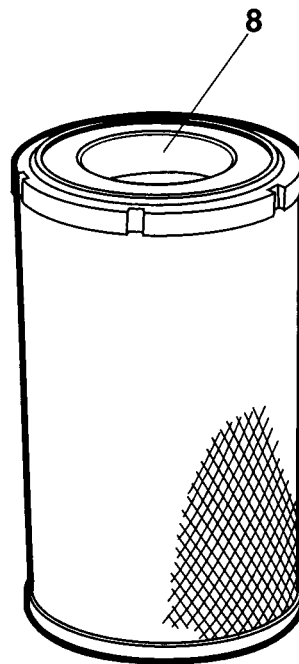
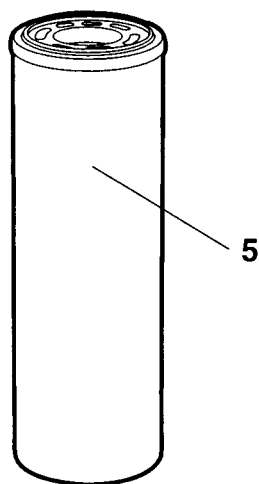
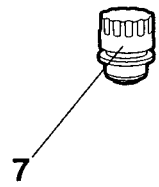
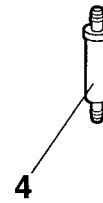
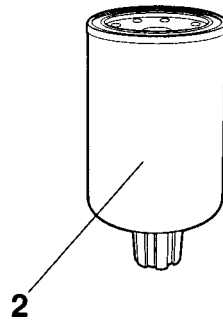
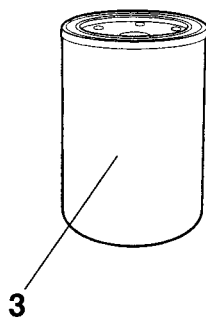
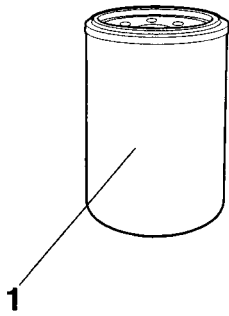
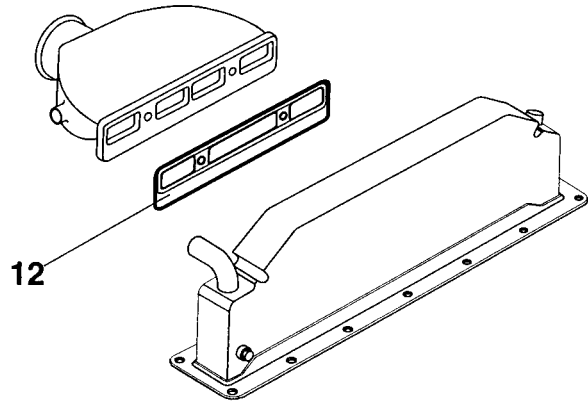
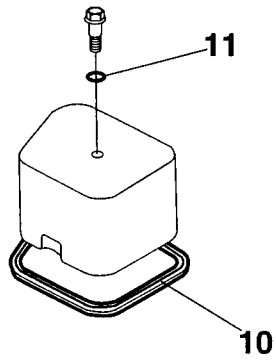
Rear mirror	250
Rops / fops	252
Cab, interior	254
Cab, inside panels	258
Cab, screens	260
Cab, wipers, front and rear	262
Cab, wipers, right side	264
Cab, water tank wipers	266
Cab, door, left side	268
Cab, heater and, fan system	270
Cab Roof mounted,electric switches	272
Interior rear mirror Sun curtain, first aid kit	274
Exterior rear mirrors	276
Radio and cassette player	278
Decals	280
Plates and decals	282
Standard equipment	284
Standard equipment	286
Optional equipment	288
Compaction meter	290
Edge cutter cpl	292
Edge cutter	294
Edge cutter Hydraulics without offset	296
Edge cutter Hydraulics with offset	298
Edge cutter Sprinkler system	300
Eyelet	302
SMV sign	304
Tool equipment	306
Brake release, prop. motors	308
Air conditioner assembly	310
370889 Air conditioner unit	312
Roof hatch	316
Asphalt temperature meter	318



Ref. No.	Part No.	Rem.	Qty	Description	Code
				Service kits (Page 4)	
				Repair kits (Page 14)	
10				Frames (Page 28)	
20				Drum (Page 68)	
30				Engine (Page 74)	
50				Hydraulic system (Page 94)	
60				Electrical equipment (Page 180)	
70				Drivers platform (Page 224)	
80				Decals (Page 280)	
90				Standard equipment (Page 284)	
91				Optional equipment (Page 288)	

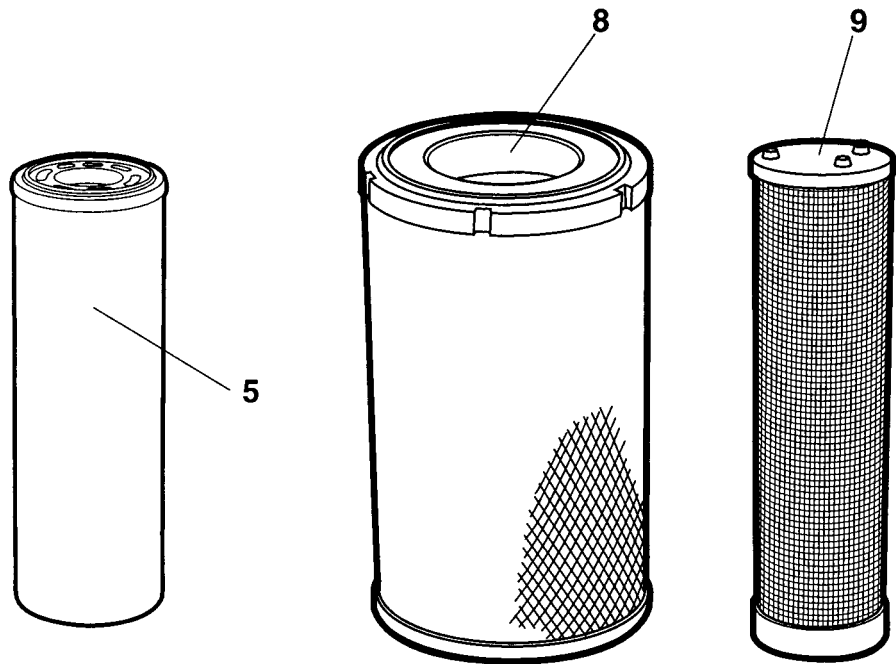
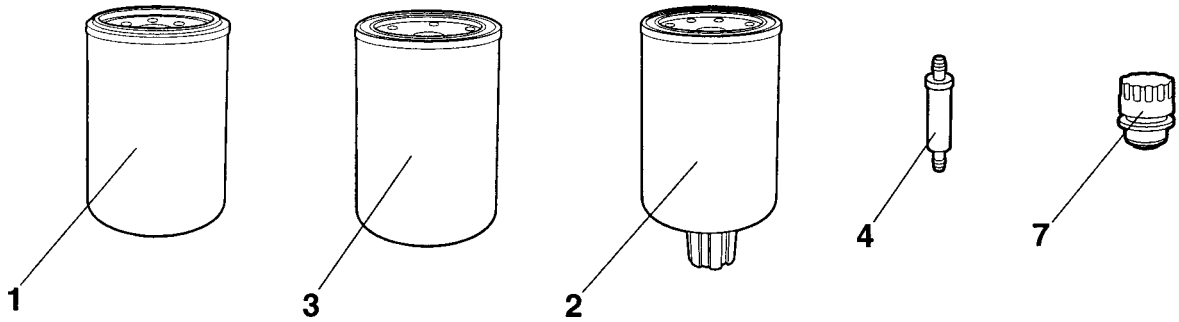
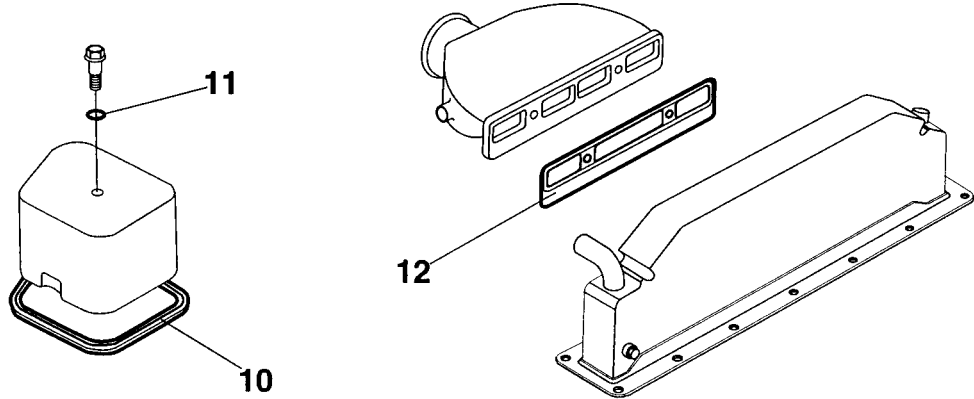
Service kits

Ref. No.	Part No.	Rem.	Qty	Description	Code
1	938551			Service kit 50 h From 62910524 (Page 6)	
2	938527			Service kit 250/750 h (Page 8)	
3	938552			Service kit 500 h From 62910524 (Page 10)	
4	938553			Service kit 1000 h From 62910524 (Page 12)	



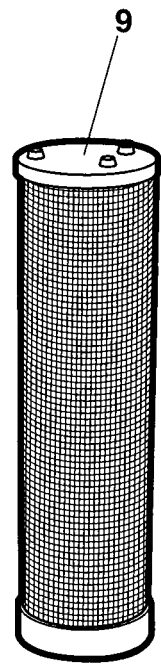
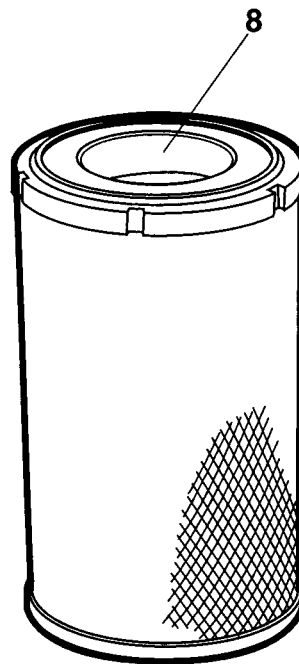
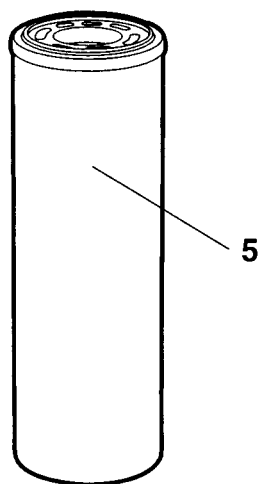
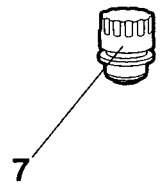
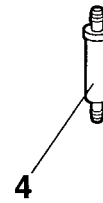
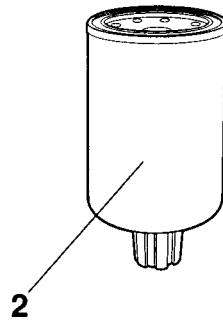
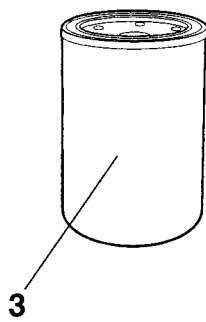
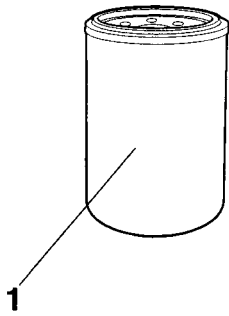
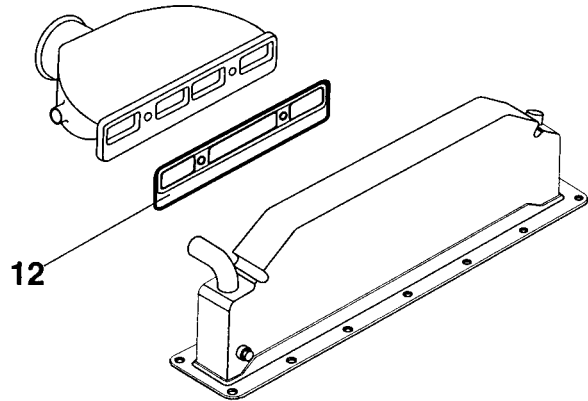
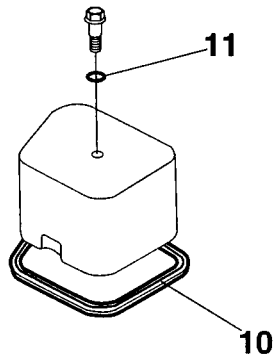
938551 Service kit 50 h

Ref. No.	Part No.	Rem.	Qty	Description	Code
1	212373		1	Oil filter	A
2	935969		1	Fuel filter w. waterseparator	A
3	900829		1	Fuel filter	A
5	372229		1	Filter element Hydraulic	A



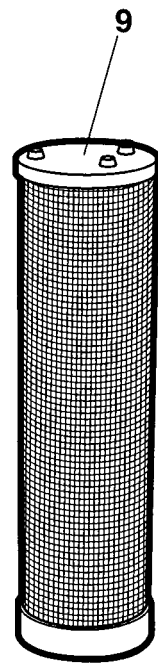
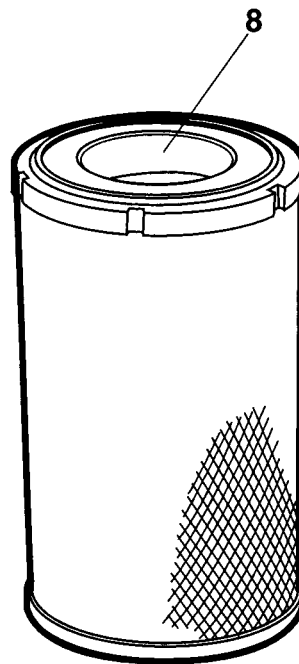
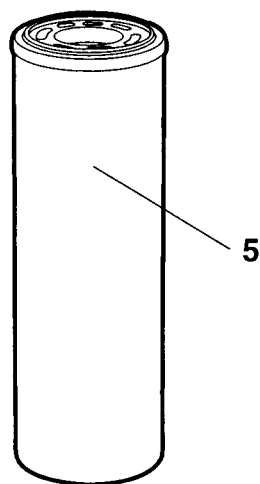
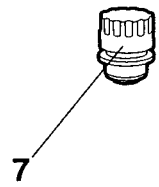
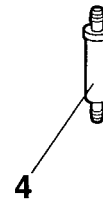
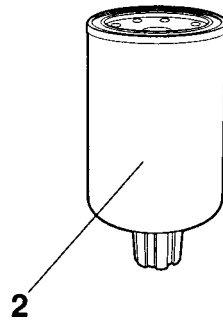
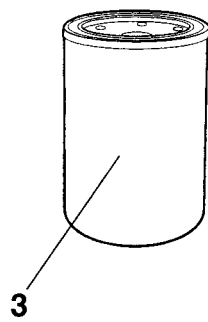
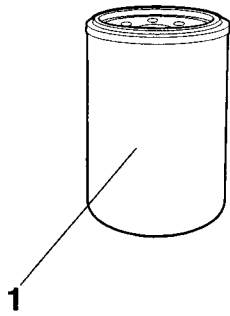
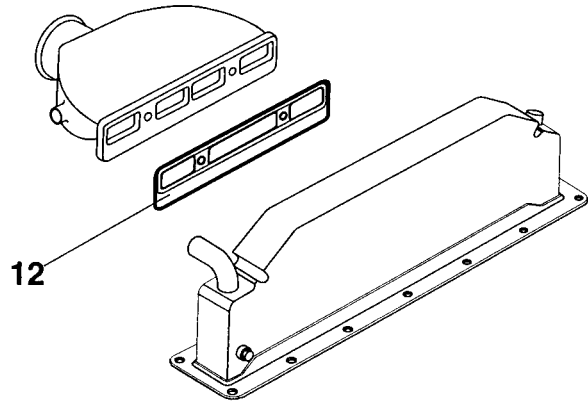
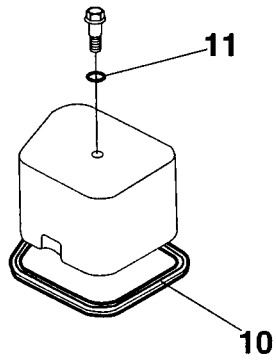
938527 Service kit 250/750 h

Ref. No.	Part No.	Rem.	Qty	Description	Code
1	212373		1	Oil filter	A



938552 Service kit 500 h

Ref. No.	Part No.	Rem.	Qty	Description	Code
1	212373		1	Oil filter	A
2	935969		1	Fuel filter w. waterseparator	A
3	900829		1	Fuel filter	A



938553 Service kit 1000 h

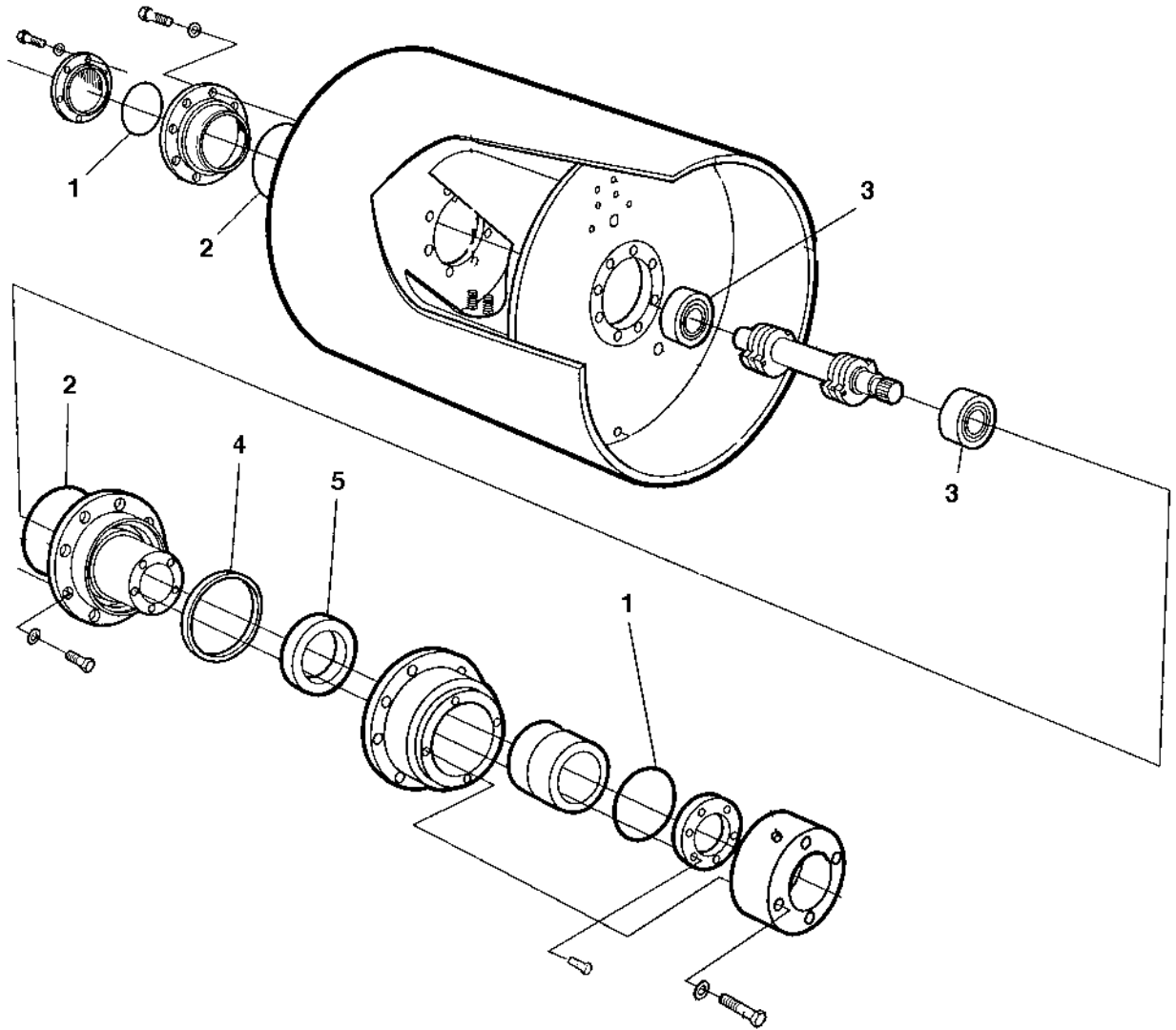
Ref. No.	Part No.	Rem.	Qty	Description	Code
1	212373		1	Oil filter	A
2	935969		1	Fuel filter w. waterseparator	A
3	900829		1	Fuel filter	A
5	372229		1	Filter element Hydraulic	A
7	357138		1	Ventilating filter	B
8	908450		1	Air filter	A
9	908451		1	Air filter	A
10	938514		4	Valve cover gasket	
11	938516		4	Gasket	
12	938517		1	Gasket, inlet pipe	

Repair kits

Ref. No.	Part No.	Rem.	Qty	Description	Code
1	938904		2	Eccentric shaft kit Up to 62910624 (Page 16)	
2	938905		2	Eccentric shaft kit From 62910625 (Page 18)	
3	938891		2	Drum rotation kit (Page 20)	
4	938918			Scraper kit CC522 (Page 22)	
5	938888		2	Shock absorber kit, drum (Page 24)	
6	938558			Steering hitch kit (Page 26)	

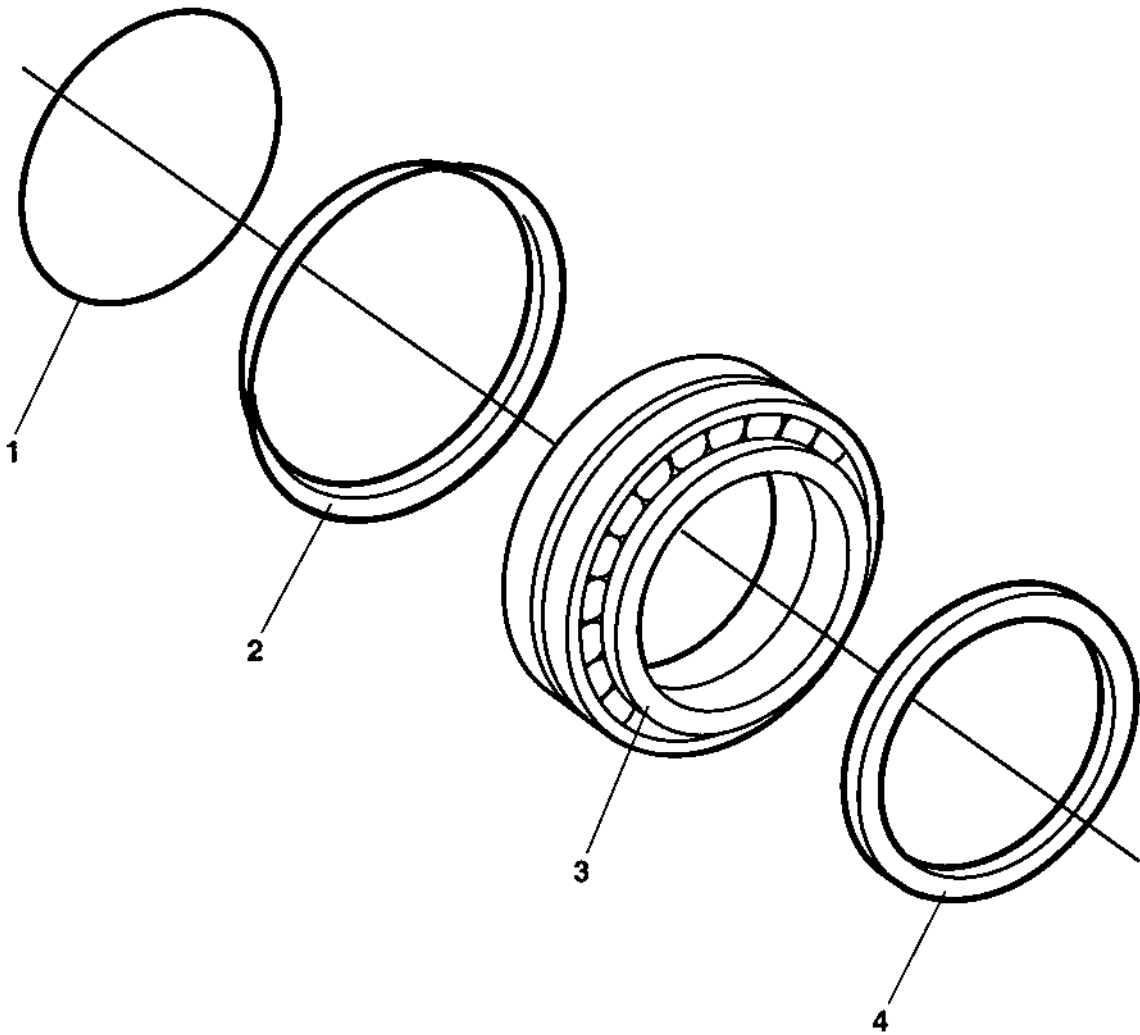
938904 Eccentric shaft kit

Ref. No.	Part No.	Rem.	Qty	Description	Code
1	160105		2	O-ring	D
2	160107		2	O-ring	D
3	114060		2	Spherical roller bearing	
4	929447		1	V-ring	D
5	167023		1	Seal ring	D



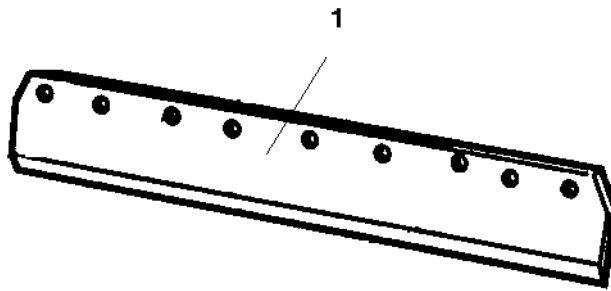
938905 Eccentric shaft kit

Ref. No.	Part No.	Rem.	Qty	Description	Code
1	160105		2	O-ring	D
2	160344		2	O-ring	D
3	114060		2	Spherical roller bearing	
4	929447		1	V-ring	D
5	167023		1	Seal ring	D



938891 Drum rotation kit

Ref. No.	Part No.	Rem.	Qty	Description	Code
1	160105		1	O-ring	D
2	929447		1	V-ring	D
3	116041		1	Taper roller bearing	D
4	167023		1	Seal ring	D

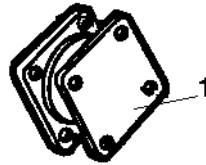


938918 Scraper kit CC522

Ref. No.	Part No.	Rem.	Qty	Description	Code
1	372589		4	Scraper	B

938888 Shock absorber kit, drum

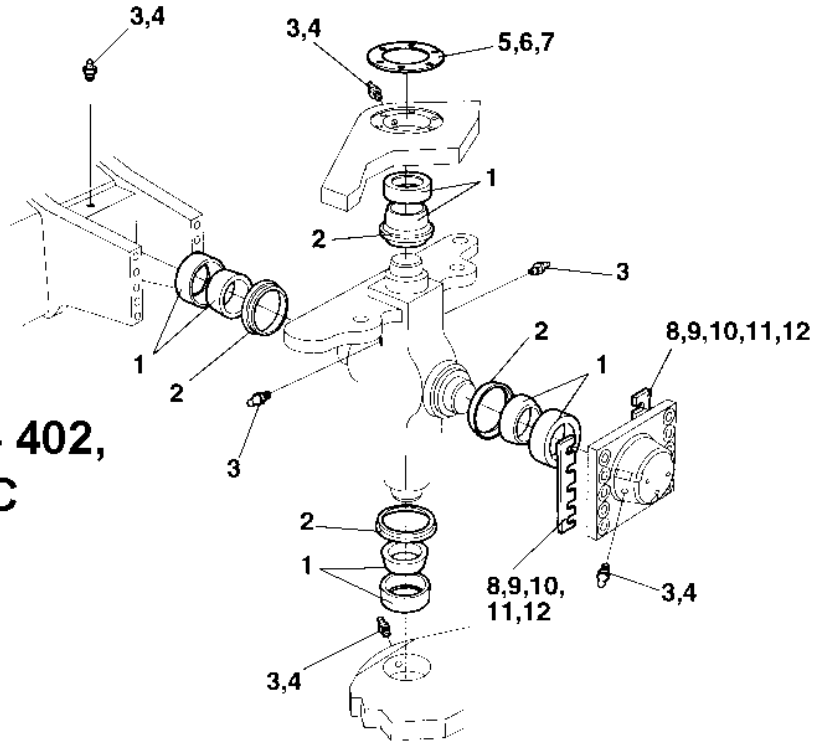
SHOCK ABSORB.



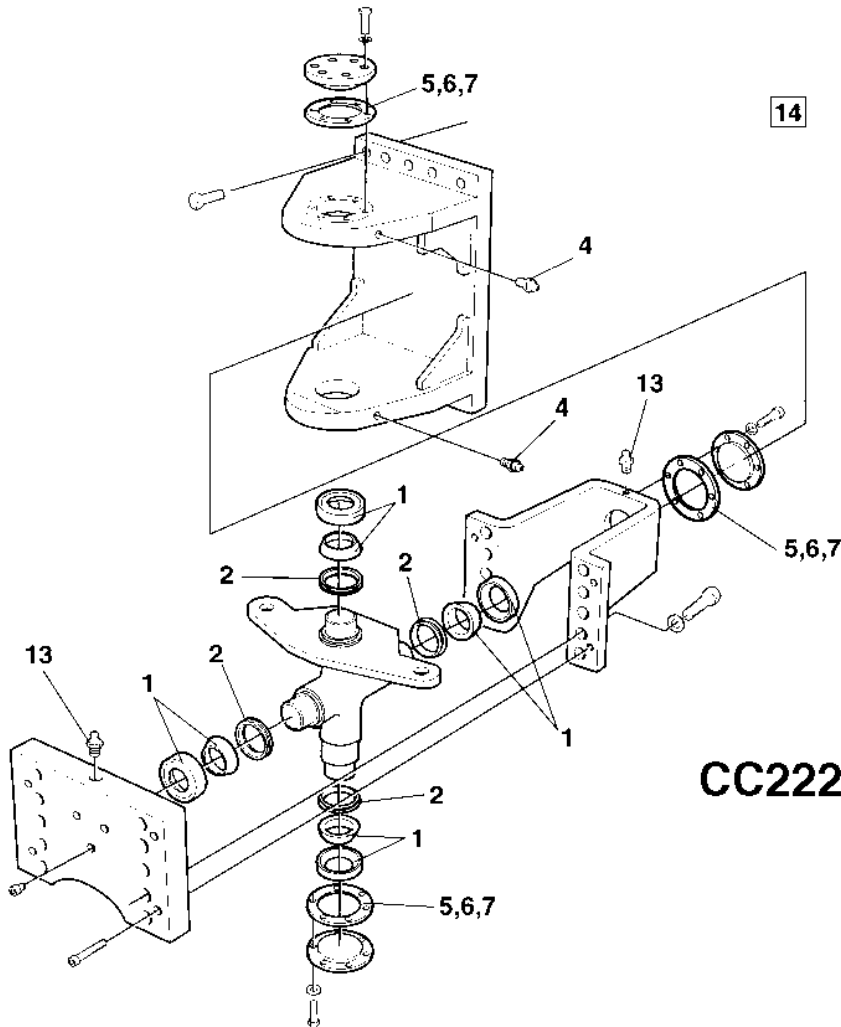
938888 Shock absorber kit, drum

Ref. No.	Part No.	Rem.	Qty	Description	Code
1	450122		12	Shock absorber	B

**CA150 - 402,
CC501/C**



14



CC222-622/C

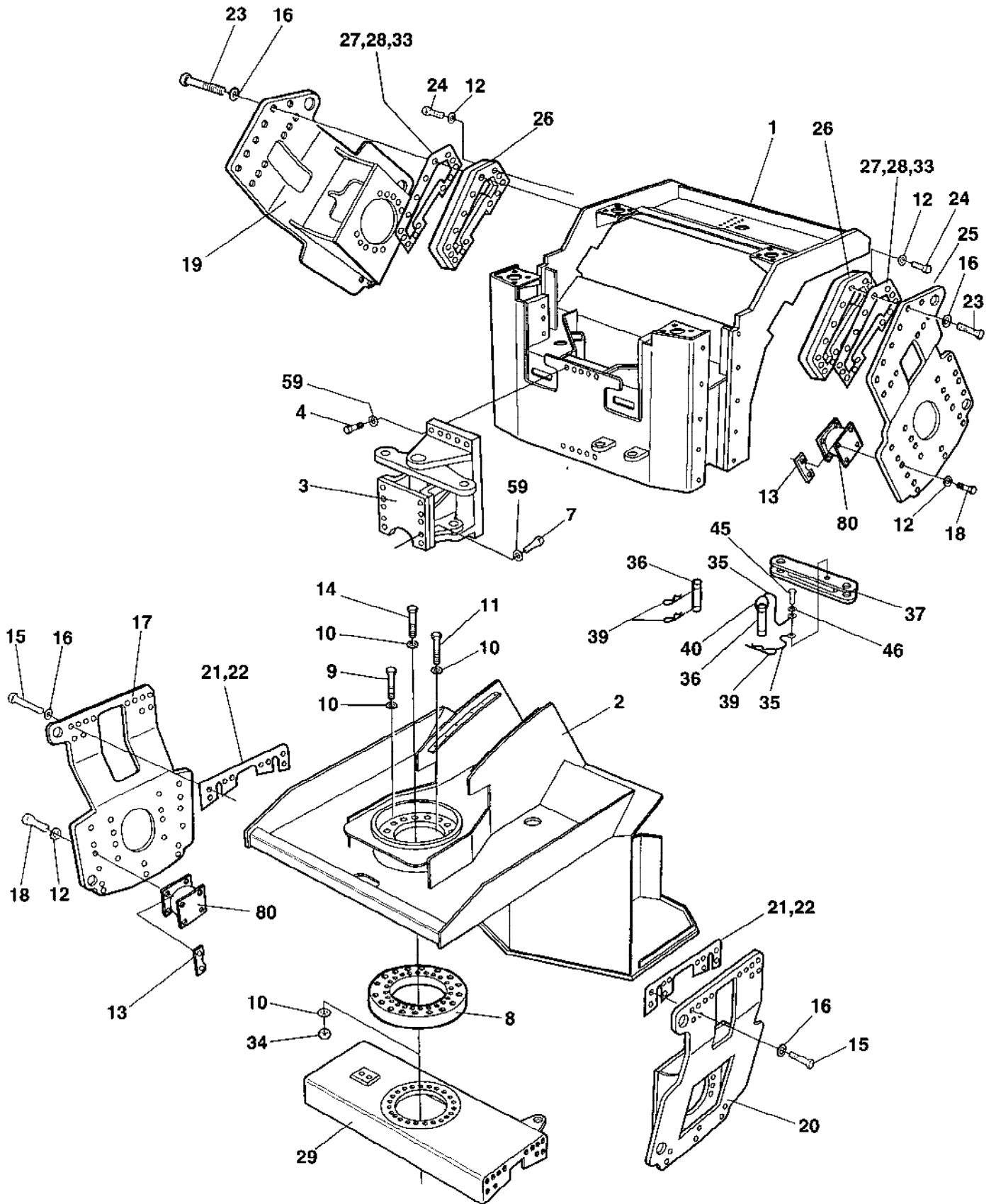
938558 Steering hitch kit

Ref. No.	Part No.	Rem.	Qty	Description	Code
1	100040		4	Axial ball bearing	D
2	167032		4	Lip-type oil seal	D
3	310008	2	3	Grease nipple	D
4	926214		2	Grease fitting	D
5	337045		3	Shim T=1,0 mm	D
6	345874		3	Shim T=0,35 mm	D
7	345875		3	Shim T=0,10 mm	D
8	345871	1	2	Shim T=1,0 mm	D
9	345872	1	2	Shim T=0,35 mm	D
10	345873	1	2	Shim T=0,10 mm	D
11	380993	1	2	Shim T = 2,0 mm	D
12	384498	1	2	Shim T = 0,15 mm	D
13	929863	3	1	Grease nipple	D
14	904663		1	Lube grease " DYNAPAC special approved "	
15			1	Instructions	

- 1) Valid for CA152-402 and CC501/C
- 2) Valid for CC501/C
- 3) Valid for CC222/232/322/422/432/522/622/C

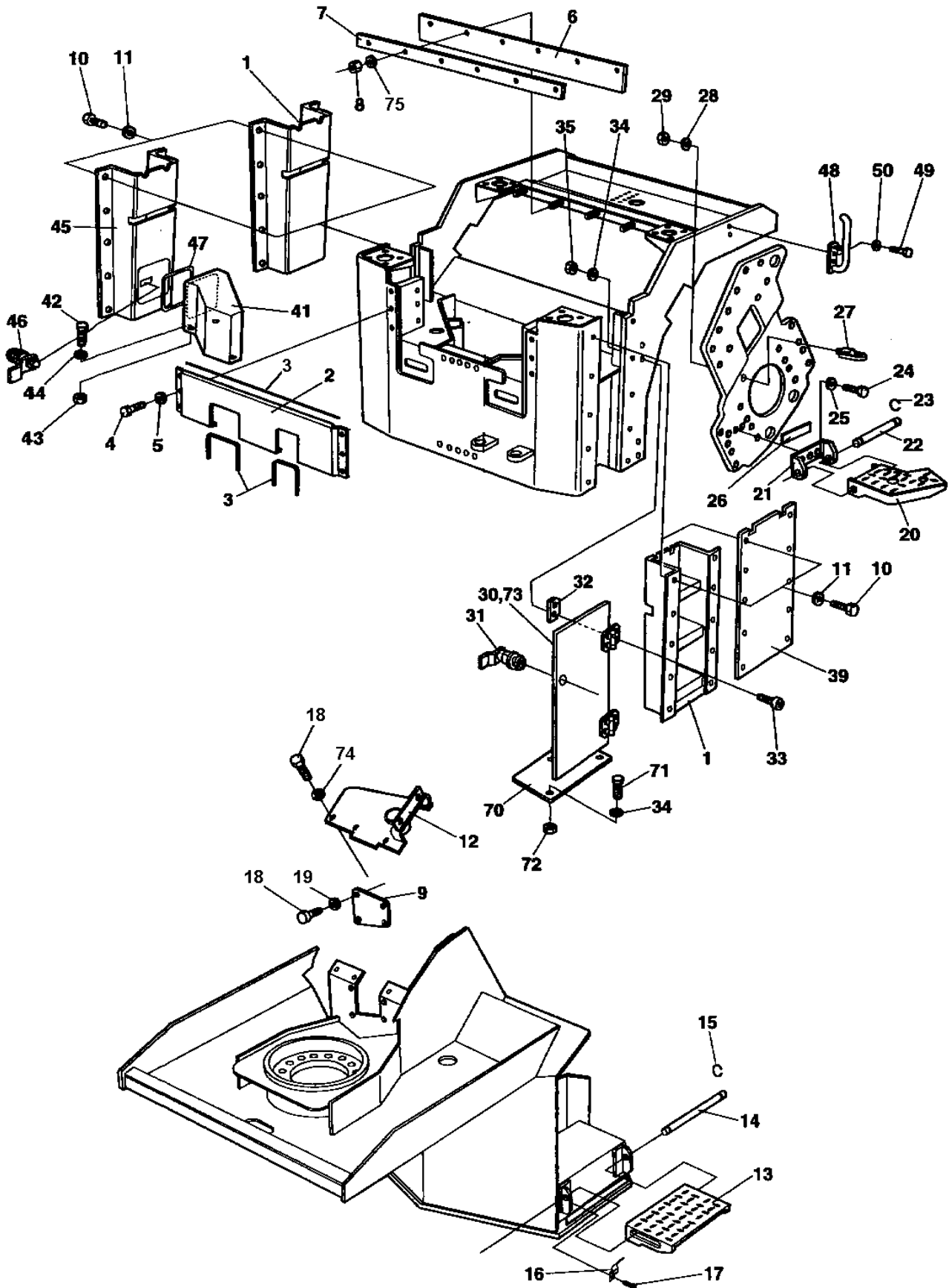
Frames

Ref. No.	Part No.	Rem.	Qty	Description	Code
120				Frames (Page 30)	
150				Covers, ladders (Page 32)	
200				Scrapers, standard, front drum (Page 36)	
220				Scrapers, standard, rear drum (Page 38)	
250				Scrapers, spring loaded Foldable (Page 40)	
300				Articulated link (Page 42)	
500				Structure (Page 44)	
550				Noise suppression (Page 48)	
600				Sprinkler systems, tanks (Page 50)	
620				Sprinkler system, front (Page 54)	
640				Sprinkler system, rear (Page 58)	
660	923690			Water pump Up to 62910533 (Page 62)	C
	903987			Sprinkling pump From 62910534 (Page 64)	C
690				Sprinkler mats (Page 66)	



Frames

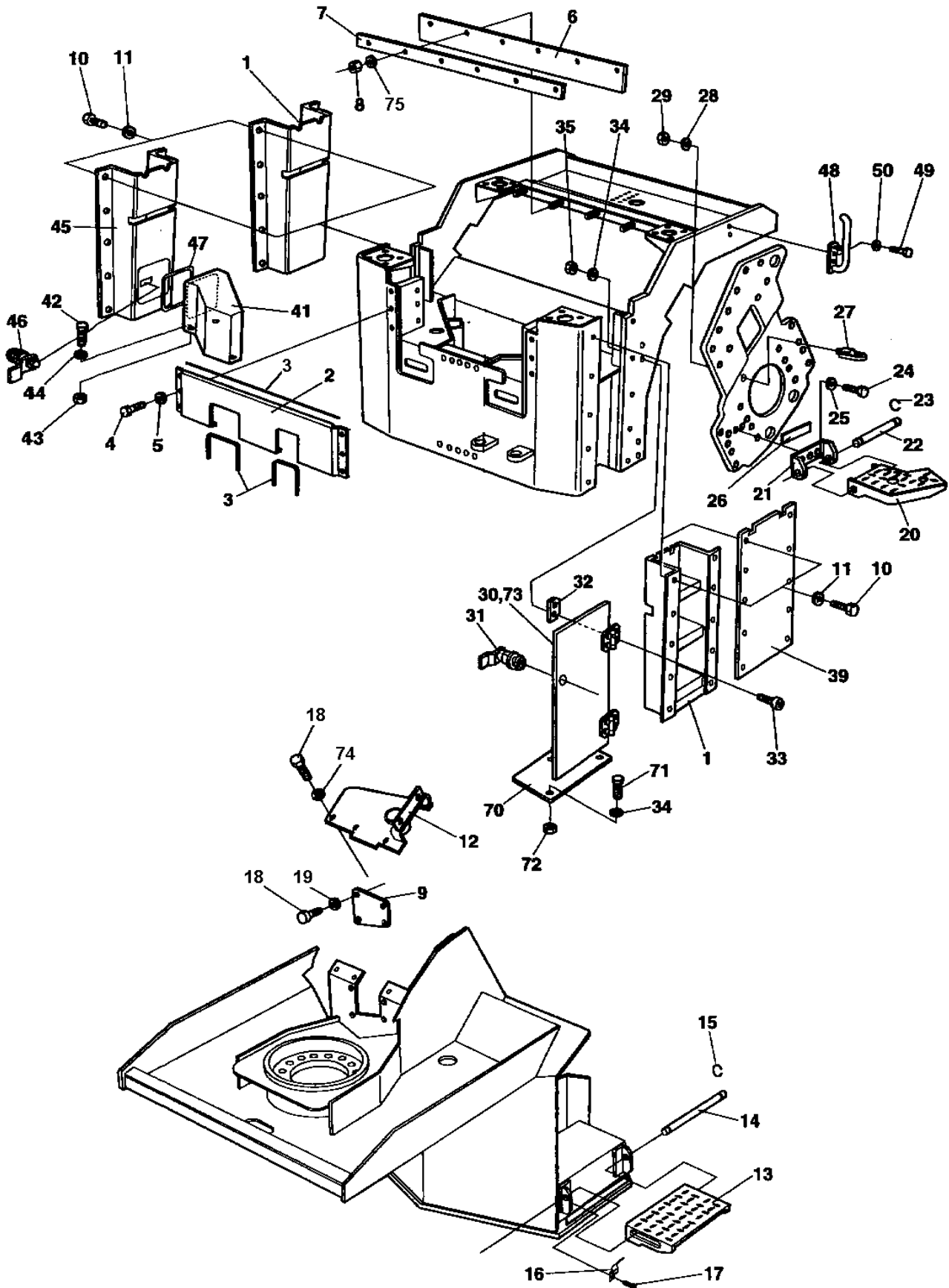
Ref. No.	Part No.	Rem.	Qty	Description	Code
1	370601		1	Front frame	
2	370530		1	Rear frame	
3			1	Articulated link (Page 42)	
4	925208		10	Screw	
7	928850		10	Screw M20-2,5x120 10,9	
8	359314		1	Spacer ring	
9	500269		24	Screw M12-1,75x50 10,9	
10	904231		66	Washer 13x24x2	
11	903366		14	Screw M12x160 10,9	
12	904231		68	Washer 13x24x2	
13	383436		16	Holder	
14	903735		14	Screw M12x70 10,9	
15	500209		24	Screw M20-2,5x90 8,8	
16	904233		48	Washer 21x36x3	
17	370871		1	Fork Rear LH	
18	500049		32	Screw M12-1,75x60 8.8	
19	370874		1	Fork Front LH	
20	370873		1	Fork Rear RH	
21	359969	N		Shim T=3 mm	
22	359970	N		Shim T=1 mm	
23	929217		24	Screw	
24	925227		4	Screw	
25	370872		1	Fork Front RH	
26	380030		2	Spacer block	
27	359965	N		Shim T=5 mm	
28	359966	N		Shim T=3 mm	
29	359322		1	Yoke	
33	359967	N		Shim T=1 mm	
34	570104		14	Nut M12	
35	343775		2	Wire	
36	370771		2	Shaft	
37	370770		1	Safety rod	
39	635057		3	Hair pin	
40	357488		1	Spring	
45	500043		1	Screw M10x16H 8,8	
46	615061		1	Washer	
59	904233		20	Washer 21x36x3	
80			24	Shock absorber	



Covers, ladders

Ref. No.	Part No.	Rem.	Qty	Description	Code
1	370715		2	Ladder Up to 62910570	
	359583		2	Ladder From 62910571	
2	370811		1	Cover	
3	902166	G	1XL	Edge trim	
4	500075		6	Screw M6-1x25 8,8	
5	904735		6	Washer	
6	373036		1	Rubber protection	
7	373035		1	Holder plate	
8	586002		6	Lock nut M6	
9	372603		1	Cover Up to 62910523	
	373349		1	Cover From 62910524	
10	500053		20	Screw M8-1,25x20 8,8 Up to 62910570	
	904357		12	Screw From 62910571	
11	600006		20	Washer Up to 62910570	
	904229		12	Washer 8,4x16x1,5 From 62910571	
12	372602		1	Cover Up to 62910523	
	373343		1	Cover From 62910524	
13	371093		1	Step	
14	371098		1	Shaft	
15	150003		2	Retaining ring	
16	371130		2	Spring	
17	533006		4	Screw	
18	904357		9	Screw	
19	904229		4	Washer 8,4x16x1,5	
20	371001	A	1	Step	
21	371002		1	Bracket	
22	371008		1	Shaft	
23	150003		2	Retaining ring	
24	500030		3	Screw M10-1,5x35H 8,8	
25	603023		3	Washer M10	
26	370820		1	Rubber cloth	
27	475064		1	Lock	
28	600009		1	Washer	
29	927233		1	Nut	
30	372700		1	Door	
31	383626		1	Lock	
	902866		1	.Key Marked "455"	D
32	372699		2	Spacer	
33	513028		4	Screw	
34	600004		4	Washer	
35	586002		4	Lock nut M6	
39	370661		1	Cover	
41	370688	C	1	Tool box	
42	500075		3	Screw M6-1x25 8,8	
43	586002		3	Lock nut M6	
44	615076		3	Washer 7,0x25x1,5	
45	373153		1	Ladder	
46	372658		1	Lock	
	902866		1	.Key Marked "455"	D
47	202028	D	1XL	Edge trim	
48	370806	A	1	Grab handle	
49	500021		2	Screw M8-1,25x25 8,8	
50	603019		2	Washer	
70	372832		1	Cover	
71	500040		3	Screw M6-1x20 8,8	
72	570004		3	Nut M6	

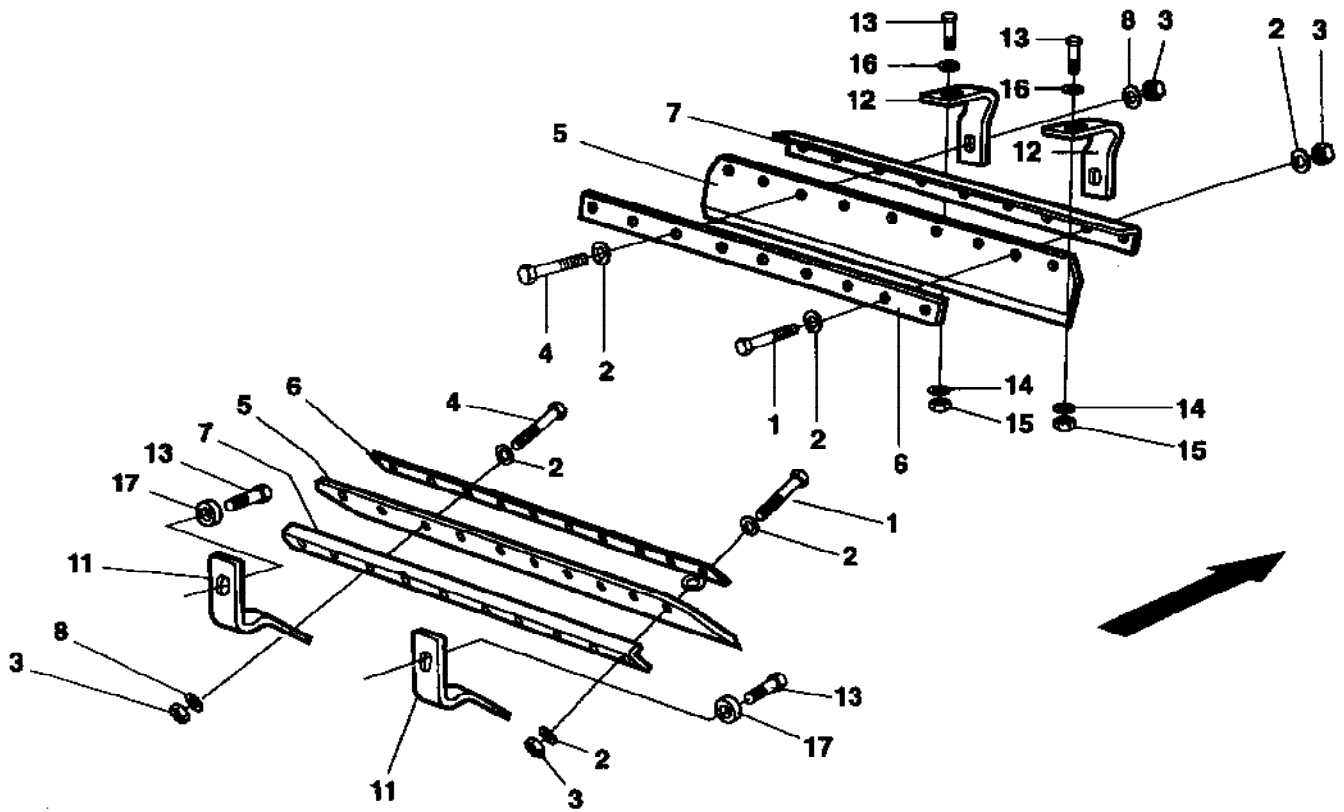
- A) Only with cab
- C) Option
- D) L=1,0 m
- G) Length as required



Covers, ladders

Ref. No.	Part No.	Rem.	Qty	Description	Code
73	202028	F	1XL	Edge trim	
74	904640		5	Washer 8,4x22x3	
75	904735		6	Washer	
F)	L=1,8 m				

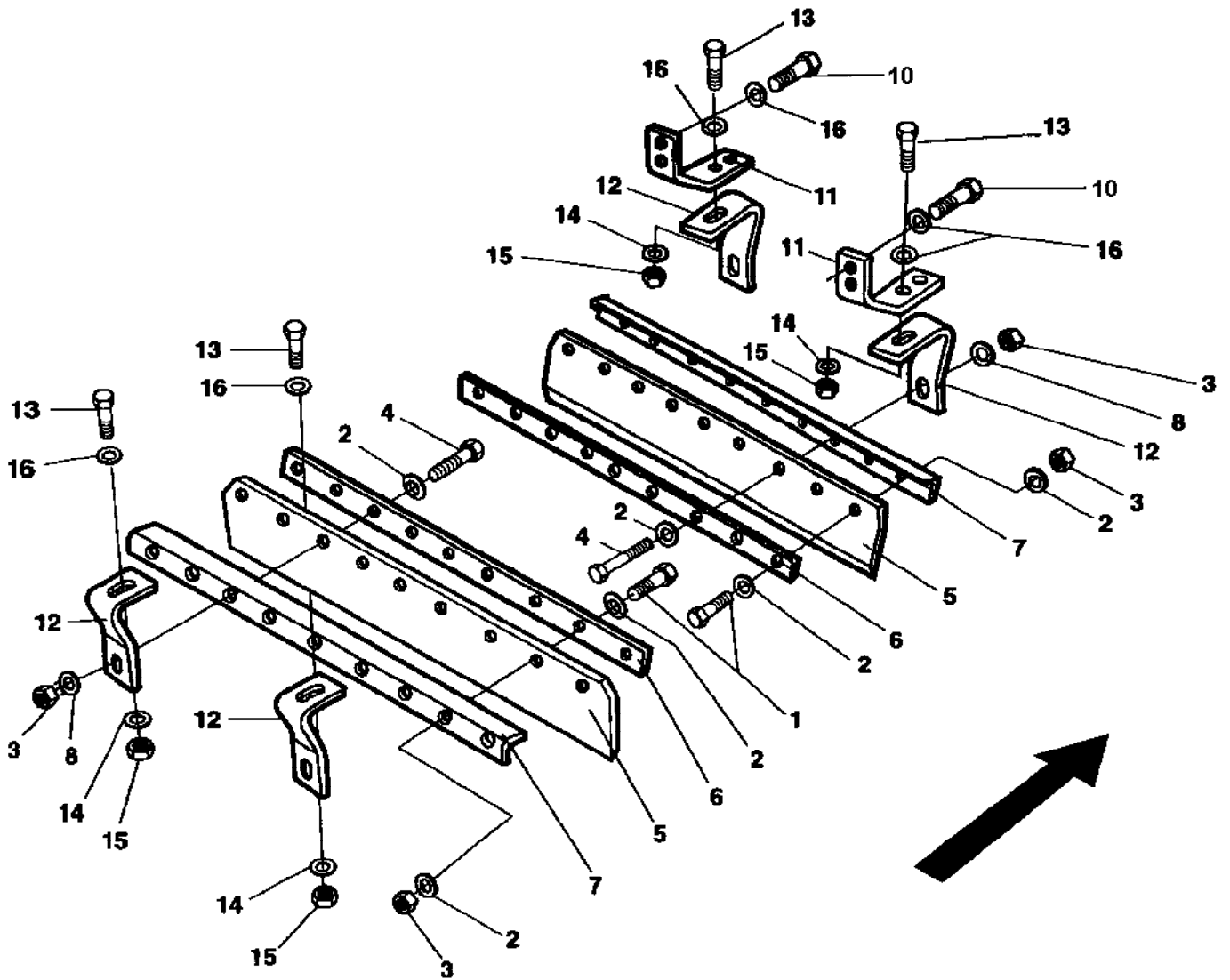
FRONT DRUM



Scrapers, standard, front drum

Ref. No.	Part No.	Rem.	Qty	Description	Code
1	500056		14	Screw M12x45 8,8	
2	904231		32	Washer 13x24x2	
3	586019		18	Lock nut M12	
4	500049		4	Screw M12-1,75x60 8.8	
5	372589		2	Scraper	B
6	370409		2	Scraper bracket	
7	370408		2	Scraper bracket	
8	904703		4	Washer 13x24x4	
11	370406		2	Scraper bracket	
12	370405		2	Scraper bracket	
13	500031		8	Screw M10-1,5x40 8,8	
14	904557		4	Washer 10,5x22x4	
15	570006		4	Nut M10	
16	904230		4	Washer 10,5x22x2	
17	359434		4	Spacer sleeve	

REAR DRUM

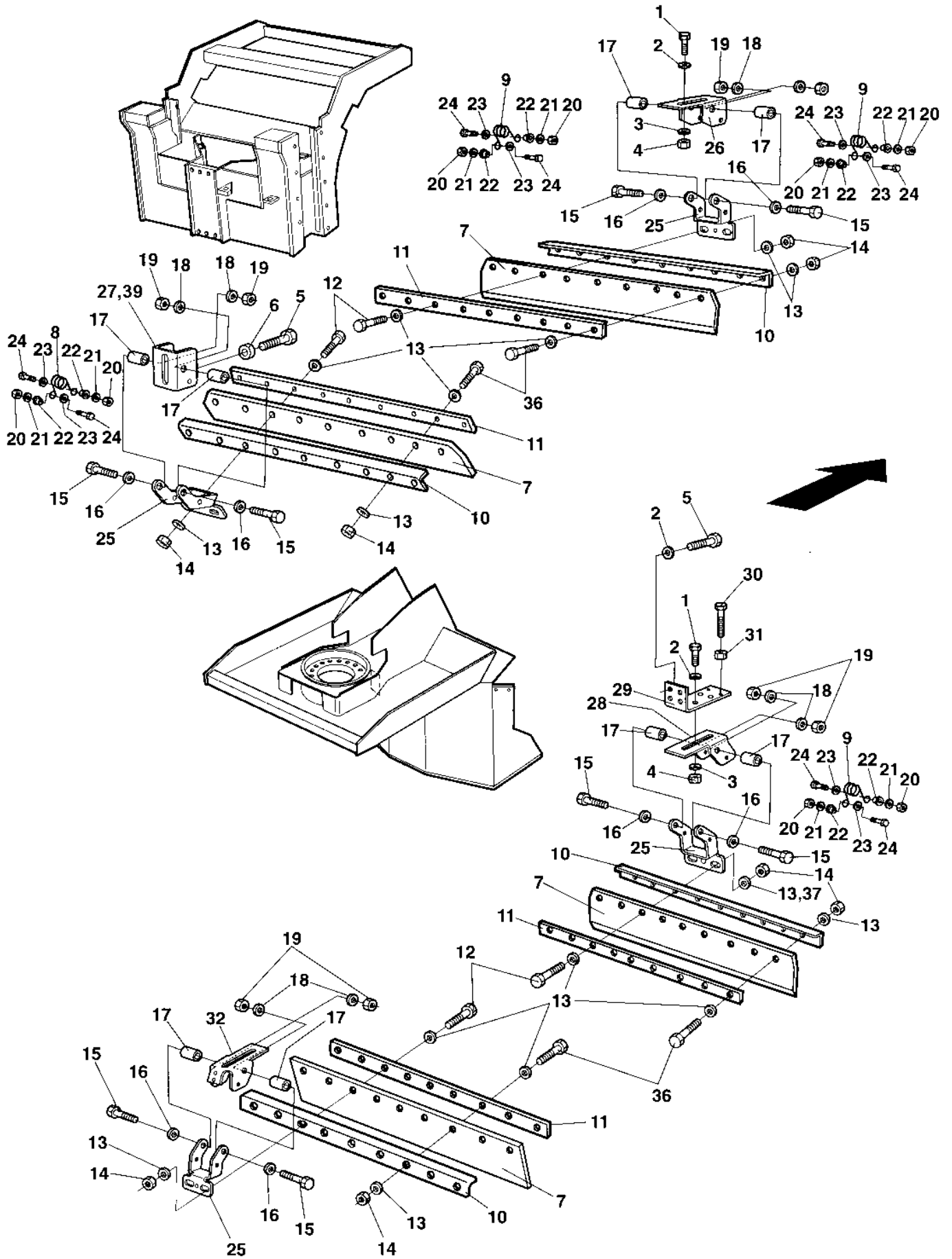


Scrapers, standard, rear drum

Ref. No.	Part No.	Rem.	Qty	Description	Code
1	500056		14	Screw M12x45 8,8	
2	904231		32	Washer 13x24x2	
3	586019		18	Lock nut M12	
4	500049		4	Screw M12-1,75x60 8.8	
5	372589		2	Scraper	B
6	370409		2	Scraper bracket	
7	370408		2	Scraper bracket	
8	904703		4	Washer 13x24x4	
10	500161		4	Screw M10-1,5x45 8,8	
11	359455		2	Scraper bracket	
12	370405		4	Scraper bracket	
13	500031		8	Screw M10-1,5x40 8,8	
14	904557		8	Washer 10,5x22x4	
15	570006		8	Nut M10	
16	904230		12	Washer 10,5x22x2	

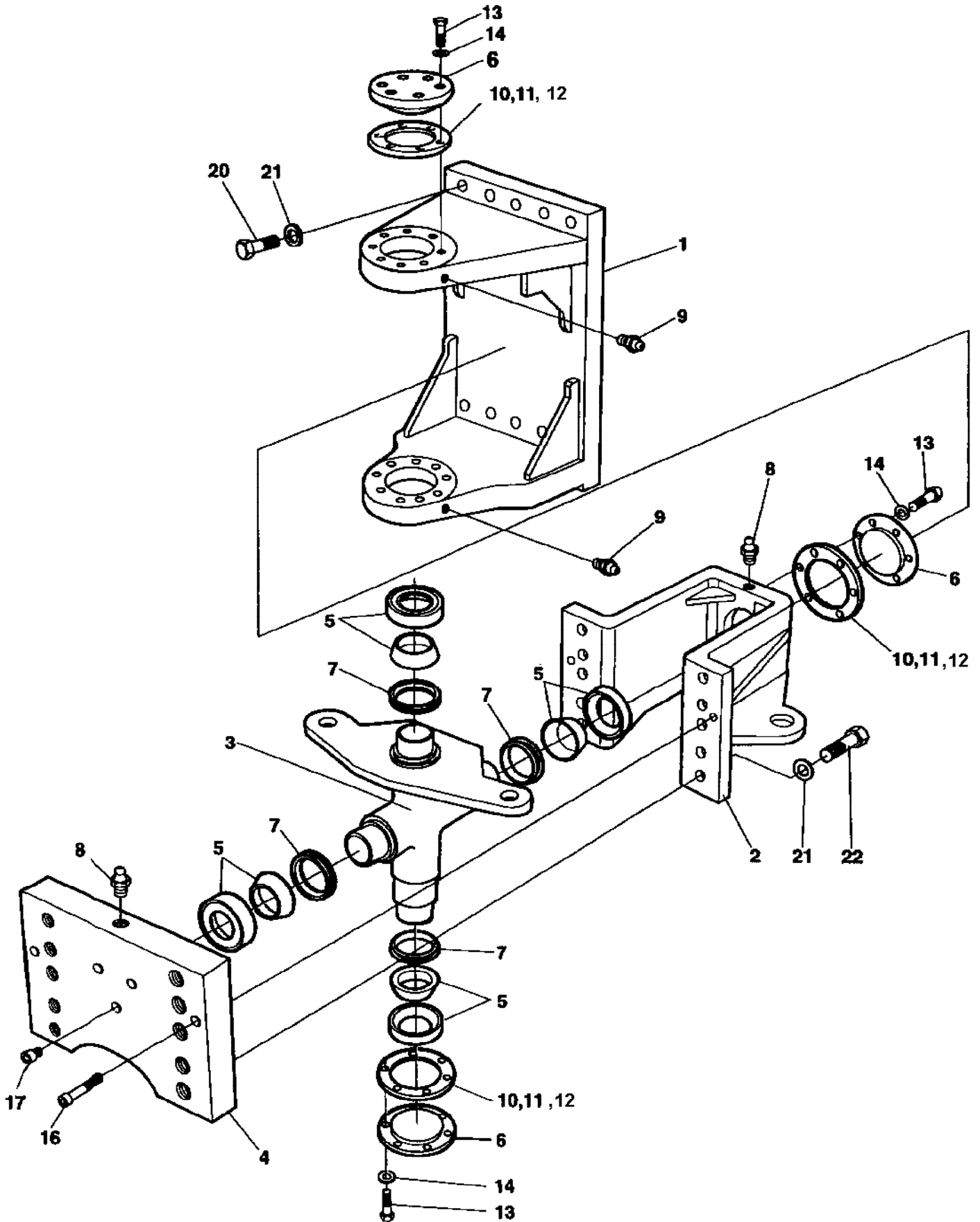
Scrapers, spring loaded Foldable

17131



Scrapers, spring loaded Foldable

Ref. No.	Part No.	Rem.	Qty	Description	Code
1	500030		12	Screw M10-1,5x35H 8,8	
2	904230		16	Washer 10,5x22x2	
3	904557		12	Washer 10,5x22x4	
4	570006		12	Nut M10	
5	500031		4	Screw M10-1,5x40 8,8	
6	380812		4	Spacer sleeve	
7	372589		4	Scraper	B
8	371468		8	Spring	
9	371914		8	Spring	
10	383947		4	Scraper bracket	
11	383948		4	Scraper bracket	
12	500111		8	Screw M12x55 8,8	
13	904231		70	Washer 13x24x2	
14	586019		36	Lock nut M12	
15	500109		16	Screw M10-1,5x65 8,8	
16	904557		16	Washer 10,5x22x4	
17	380691		16	Shaft	
18	904230		16	Washer 10,5x22x2	
19	586018		16	Lock nut M10	
20	586002		32	Lock nut M6	
21	904228		32	Washer 6,4x12x1,5	
22	371469		32	Spacer ring	
23	928381		32	Washer 6,4x18x1,6	
24	500075		32	Screw M6-1x25 8,8	
25	380661		8	Scraper bracket	
26	376075		2	Bracket	
27	383000		2	Bracket	
28	376074		2	Bracket	
29	373819		2	Bracket	
30	500031		2	Screw M10-1,5x40 8,8	
31	570006		2	Nut M10	
32	376075		2	Bracket	
36	500195		28	Screw M12-1,75x50 8.8	
37	904703		2	Washer 13x24x4	
38	500161		4	Screw M10-1,5x45 8,8	
39	383408		N	Shim	



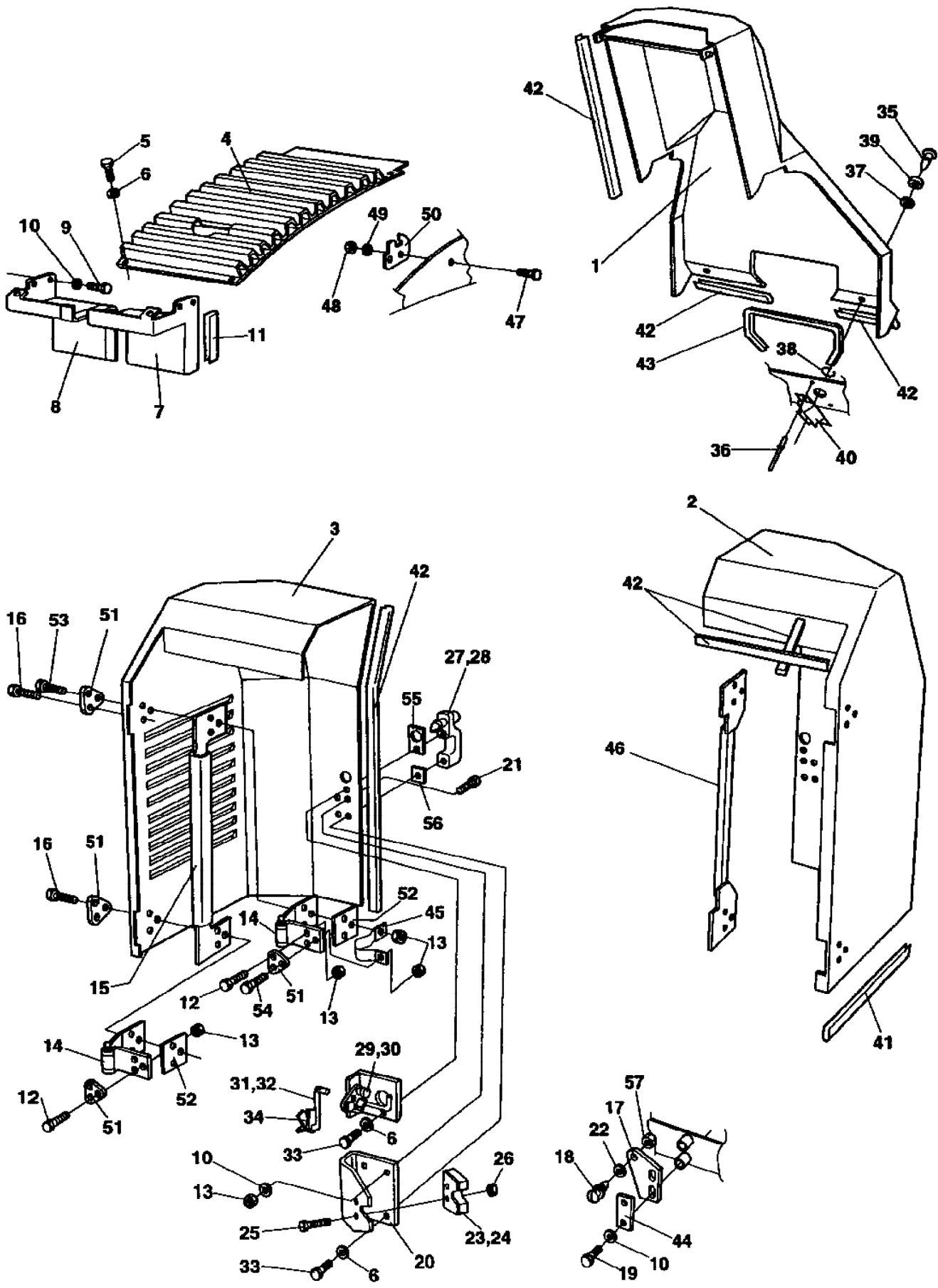
Articulated link

Ref. No.	Part No.	Rem.	Qty	Description	Code
1	375663		1	Hitch link	
2	359148		1	Hitch link	
3	370398		1	Hitch	
4	375665		1	Bracket	
5	100040		4	Axial ball bearing	D
6	337042		3	Bearing cover	
7	167032		4	Lip-type oil seal	D
8	929863		2	Grease nipple	D
9	926214		2	Grease fitting	D
10	337045		N	Shim T=1,0 mm	D
11	345874		N	Shim T=0,35 mm	D
12	345875		N	Shim T=0,10 mm	D
13	500037		18	Screw M12-1,75x35 8,8	
14	904231		18	Washer 13x24x2	
16	508042		2	Screw	
17	910995		3	Stop screw	
20		1	10	Screw	
21		1	20	Washer	
22		1	10	Screw	

1) See section " Frames ".

Structure

15892-2



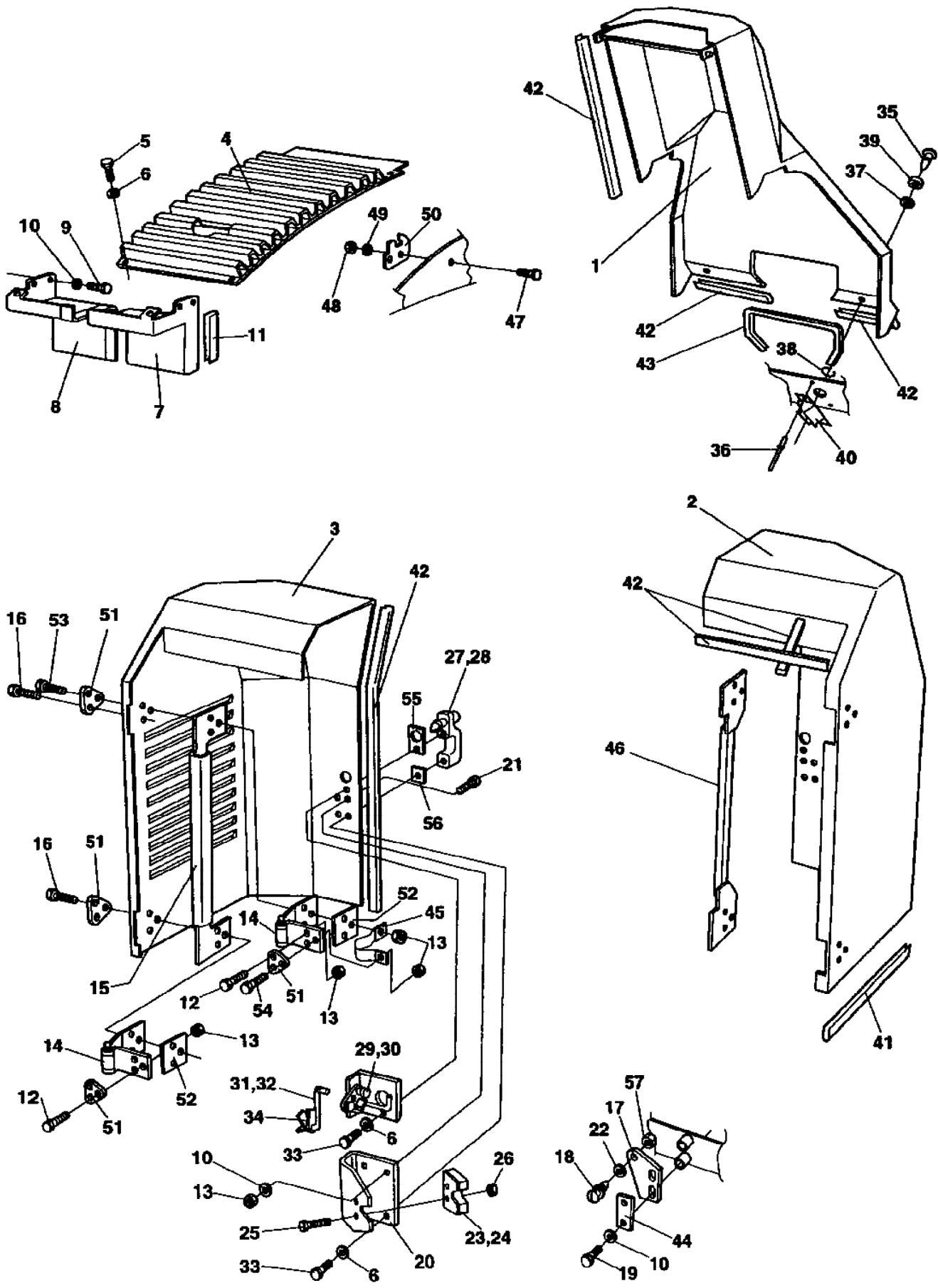
Structure

Ref. No.	Part No.	Rem.	Qty	Description	Code
1	370325		1	Cover	
2	370327		1	Engine hood, right	
3	370326		1	Engine hood, left	
	375540	F	1	Engine hood, left	
	938023	F	1	.Gasket	
4	371413		1	Grid	
5	500013		14	Screw M6-1x16 8,8	
6	904228		18	Washer 6,4x12x1,5	
7	370843		1	Cover plate, right	
8	370844		1	Cover plate, left	
9	500018		4	Screw M8-1,25x12 8,8	
10	904229		26	Washer 8,4x16x1,5	
11	902166	A	1XL	Edge trim	
12	500022		8	Screw M8-1,25x30 8,8	
13	586003		26	Lock nut M8	
14	381675		4	Hinge	
15	372958		1	Reinforcement	
16	500047		8	Screw M8-1,25x35 8,8	
17	371323		2	Bracket	
18	371666		2	Locking pin	
19	500053		4	Screw M8-1,25x20 8,8	
20	371321		2	Bracket	
21	902520		6	Screw	
22	904231		2	Washer 13x24x2	
23	371380		1	Lock	
24	371381		1	Lock	D
25	535053		4	Screw	
26	586001		4	Lock nut M5	
27	371389		1	Grab handle	
	902866		1	Key Marked "455"	D
28	371390		1	Grab handle	
	902866		1	Key Marked "455"	D
29	371449		1	Lock device	
30	371450		1	Lock device	
31	371451		1	Coupling link	
32	371452		1	Coupling link	
33	508018		4	Screw	
34	371569		2	Lock device	
35	903340		2	Trunnion	
36	923253		4	Rivet	
37	903341		2	Washer	
38	903857		2	Washer	
39	903343		2	Washer	
40	903344		2	Lock	
41	902166	B	1XL	Edge trim	
42	202057	C	1XL	Edge trim	D
43	902166	D	1XL	Edge trim	
44	371523		2	Bracket	
45	373422		4	Metal strapping	
46	371556		1	Reinforcement	
47	903856		4	Bolt M06x30	
48	586002		4	Lock nut M6	
49	603020		4	Washer	
50	372126		2	Cover holder	
51	372675		8	Washer	
52	372566		4	Bracket	

- A) L=0,7 m
- B) L=4,0 m
- C) l=5,0 m
- D) l=0,75 m
- F) Only for France

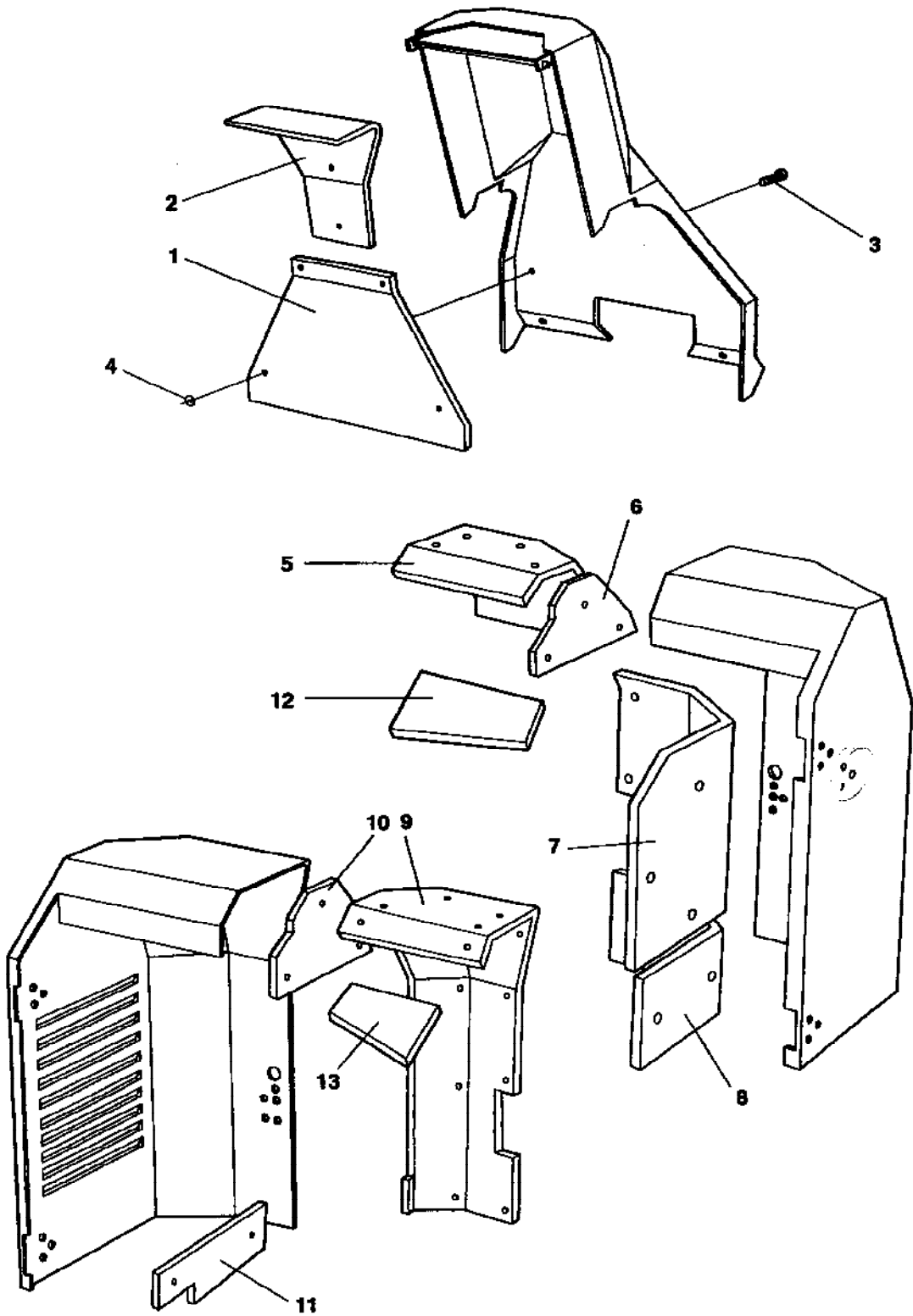
Structure

15892-2



Structure

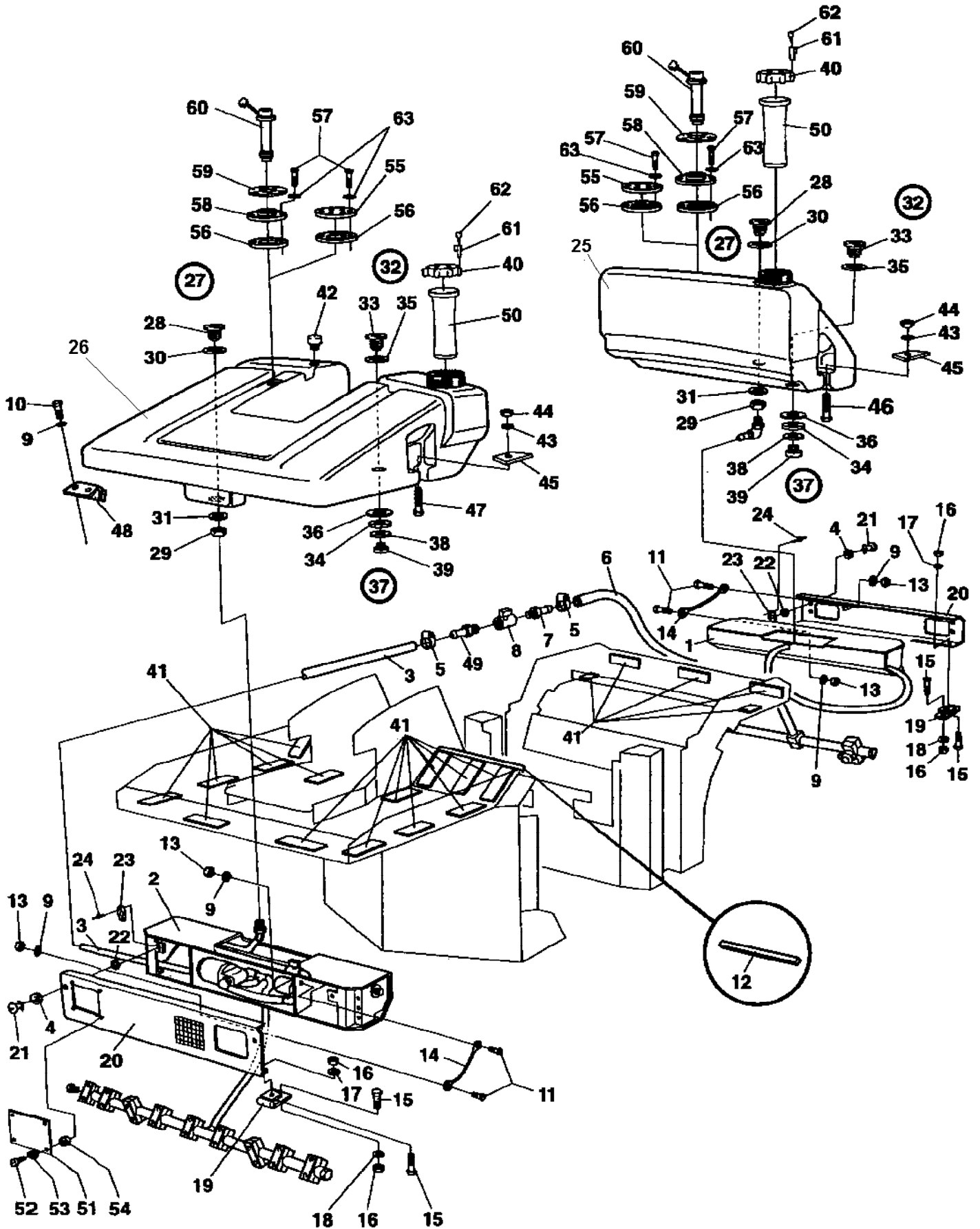
Ref. No.	Part No.	Rem.	Qty	Description	Code
53	500024		4	Screw M8x45	
54	500023		4	Screw M8-1,25x40 8,8	
55	903937		2	Rubber gasket	
56	903936		2	Rubber gasket	
57	904272		2	Nut	



Noise suppression

Ref. No.	Part No.	Rem.	Qty	Description	Code
1	373293		1	c90	
2	373294		1	c90	
3	904209		45	Screw	
4	373476		45	Washer	
5	373292		1	Absorbent, right hood	
6	373432		1	Absorbent, right hood	
7	373291		1	Absorbent, right hood	
8	373433		1	Absorbent, right hood	
9	373289		1	Absorbent, left hood	
10	373290		1	Absorbent, left hood	
11	373425		1	Absorbent, left hood	
12	373585		1	c90	
13	373586		1	c90	

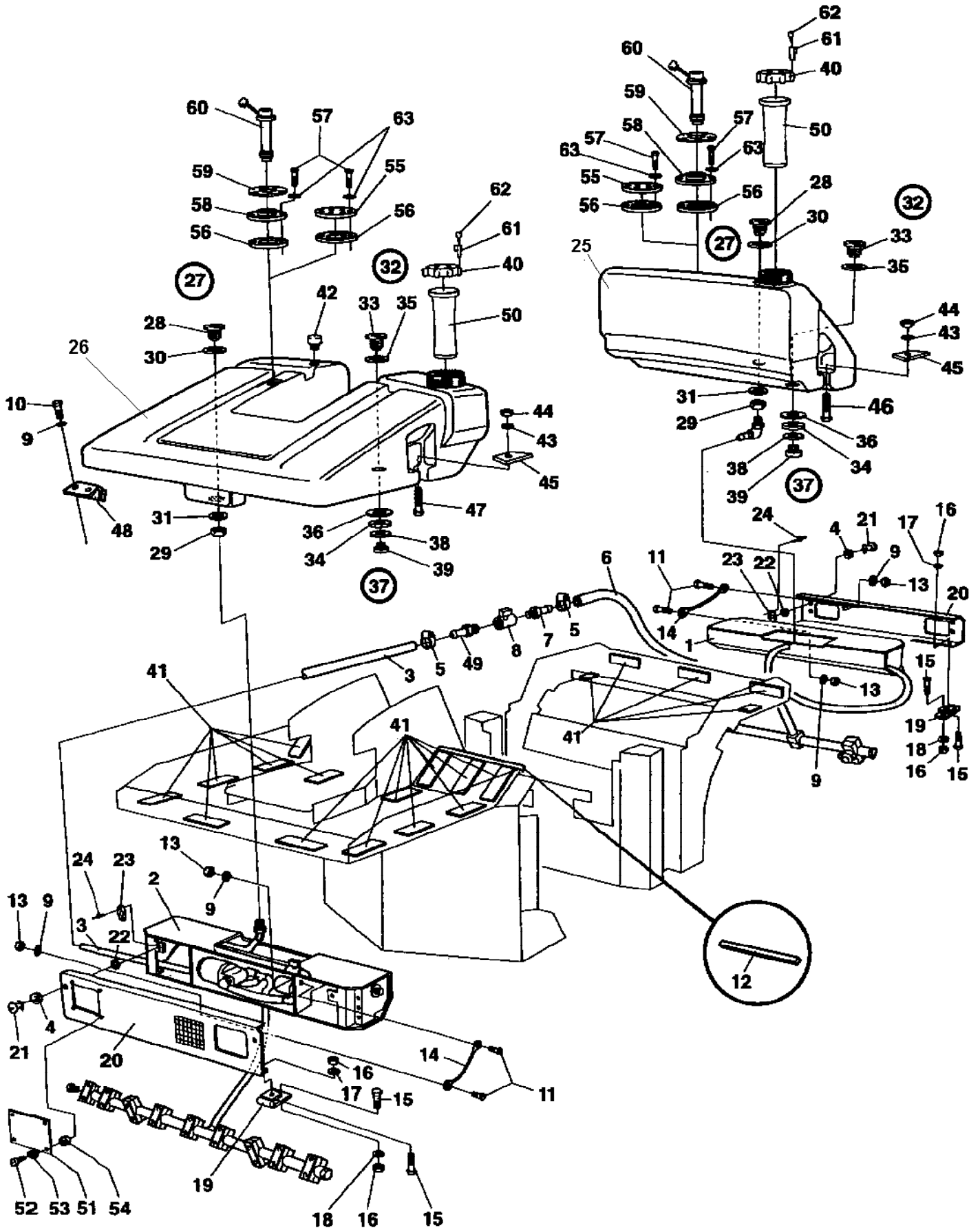
15873-1



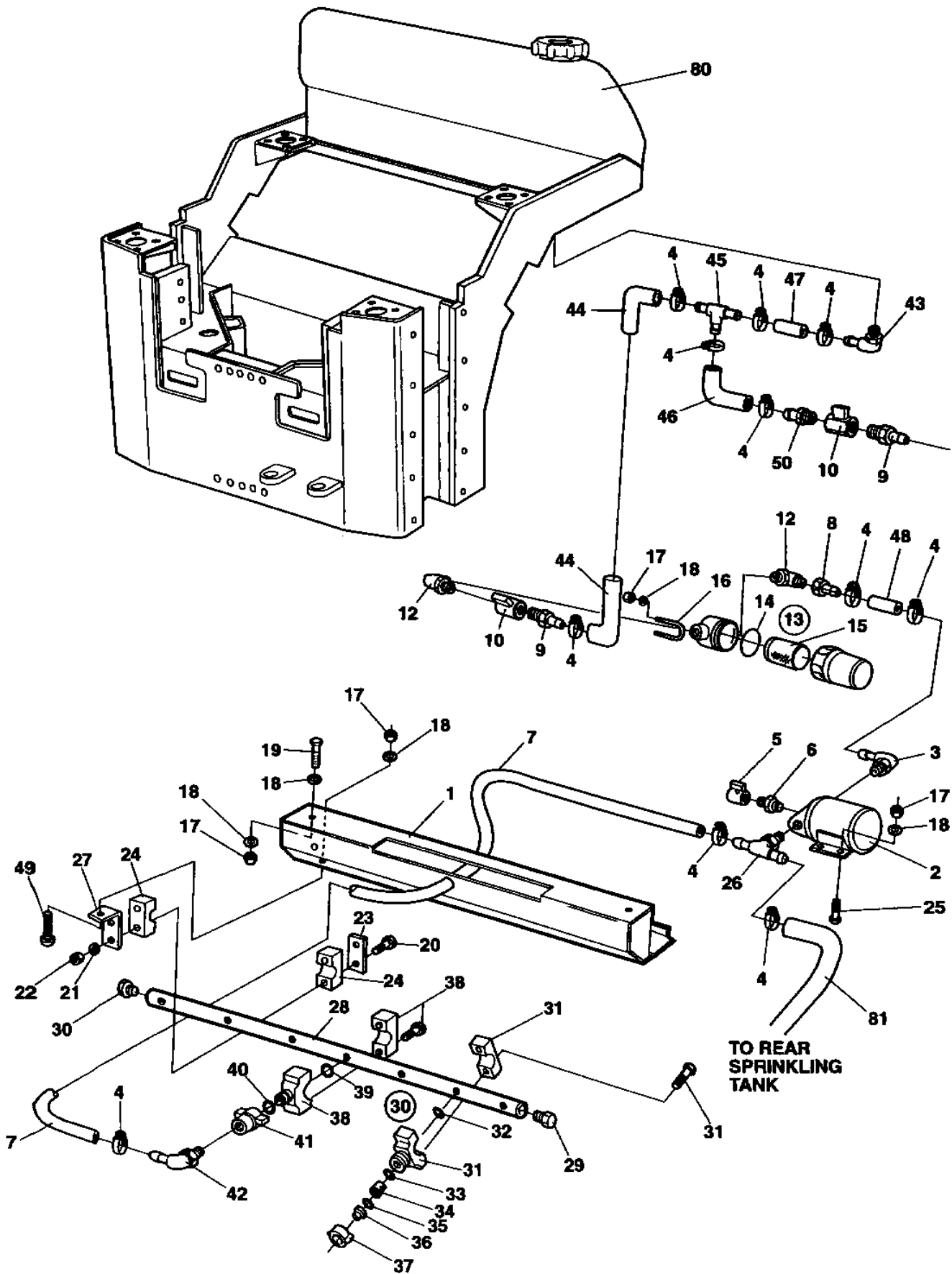
Ref. No.	Part No.	Rem.	Qty	Description	Code
1			1	Sprinkler system, front (Page 54)	
2			1	Sprinkler system, rear (Page 58)	
3	244054	C	1XL	Hose reinforced 0,65 m	
4	903341		4	Washer	
5	313002		2	Hose clamp	
6	244054	A	1XL	Hose reinforced 0,65 m	
7	924544	2	1	Hose connection	
8	925599	2	1	Valve	
9	904229		8	Washer 8,4x16x1,5	
10	500022		4	Screw M8-1,25x30 8,8	
11	500053		4	Screw M8-1,25x20 8,8	
12	202041		1	Rubber strip	
13	586003		4	Lock nut M8	
14	381619		2	Wire	
15	513012		20	Screw	
16	586002		20	Lock nut M6	
17	928467		8	Washer	
18	904228		12	Washer 6,4x12x1,5	
19	928041		4	Hinge	D
20	370005		2	Cover Up to 62910583	
	374550		2	Cover From 62910584	
21	903345		4	Trunnion	
22	903342		4	Retaining ring	
23	903344		4	Lock	
24	923253		8	Rivet	
25	359047		1	Sprinkling tank, front	
26	359048		1	Sprinkling tank, rear	
27	902916	1		.Adapter kit	
28				..Connector	
29				..Nut	
30				..Sealing	
31				..Washer	
32	902917	1		.Adapter kit	
33				..Connector	
34				..Nut	
35				..Sealing	
36				..Washer	
37	902918	1		.Plug kit	
38				..Gasket	
39				..Plug	
40	359003	1		.Cap	D
41	357459		38	Rubber cloth	
42	357138		1	Ventilating filter	B
43	904232		4	Washer 17x30x3	
44	570008		4	Nut	
45	359444		4	Holder, cpl	
46	904405		2	Screw	
47	903523		2	Screw	
48	359446		2	Holder	
49	924544		1	Hose connection	
50	358846		2	Strainer	D
51	349830		4	Cover Up to 62910583	
	374545		4	Cover From 62910584	
52	533008		16	Screw Up to 62910583	
	902223		16	Screw From 62910584	

- 1) Included in both sprinkling tanks
 2) Item 7 and 8 changed together
 A) L=4,1 m
 C) Length as required

15873-1

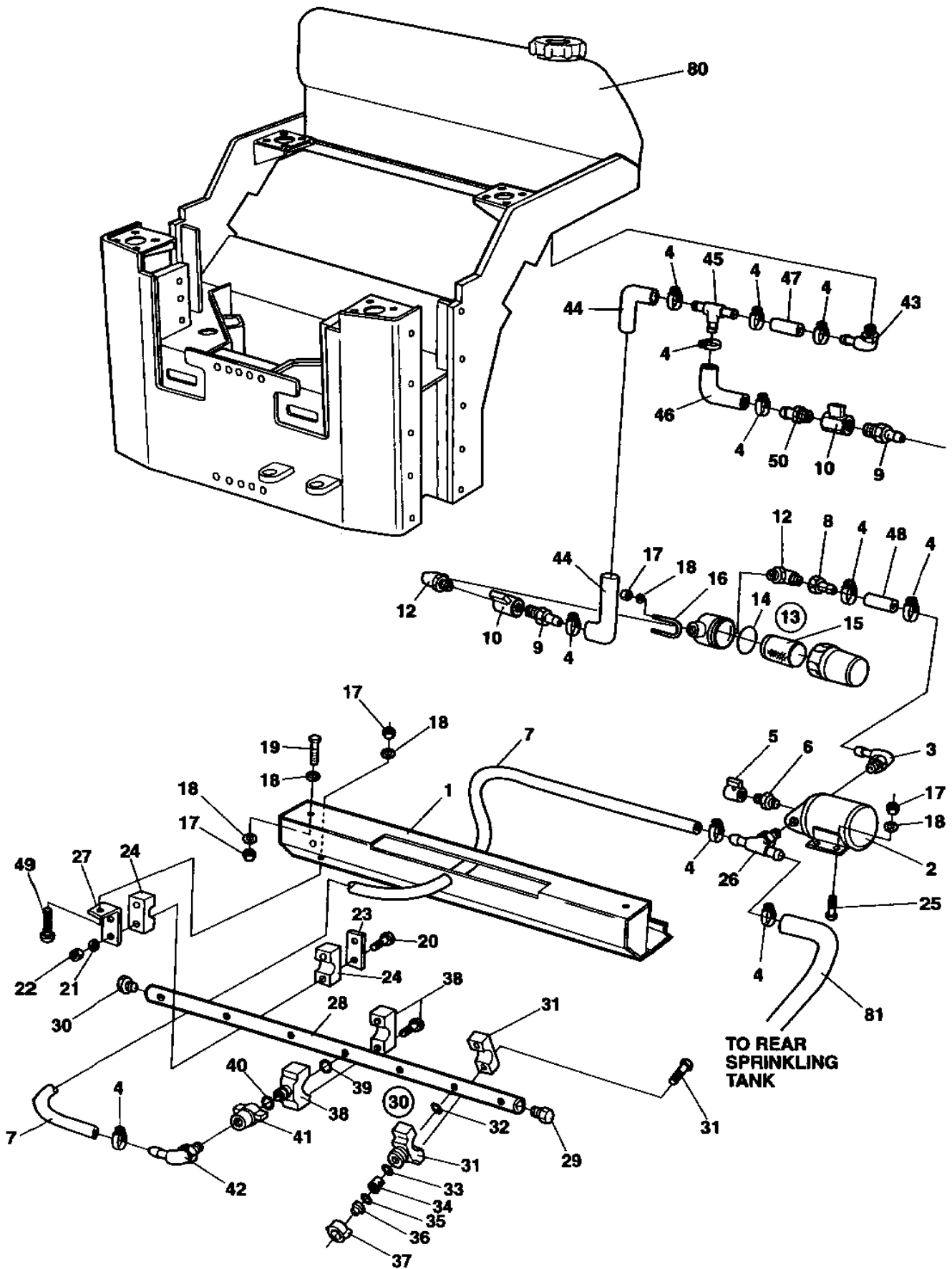


Ref. No.	Part No.	Rem.	Qty	Description	Code
53	600002		16	Washer	
54	923976		16	Nut	
55	370747		2	Cover	
56	370746		2	Gasket	
57	904206		10	Screw	
58	370745	B	2	Flange	
59	372718	B	2	Washer	
60	370651		2	Level sender Up to 62910566	
	374139		2	Level sender From 62910567	
61	370699	B	2	Lock	
62	370794	B	1	.Key	
63	904228		10	Washer 6,4x12x1,5	
B)	Option				



Ref. No.	Part No.	Rem.	Qty	Description	Code
1	370006		1	Sprinkler box Up to 62910638	
	376249		1	Sprinkler box From 62910639	
2	923690		1	Water pump Up to 62910533 (Page 62)	C
	903987		1	Sprinkling pump From 62910534 (Page 64)	C
3	923734		1	Hose connection	
4	313002		11	Hose clamp	
5	901309		1	Valve	
6	901837		1	Connector	
7	244054	A	1XL	Hose reinforced 0,65 m	
8	901297		1	Hose connection	
9	924544	1	2	Hose connection	
10	925599	1	2	Valve	
12	901298		2	Connector	
13	920775		1	Strainer	
14	921423		1	.Gasket	D
15	901841		1	.Strainer	D
16	923984		2	Clamp	
17	570005		14	Nut M8	
18	904229		18	Washer 8,4x16x1,5	
19	500022		6	Screw M8-1,25x30 8,8	
20	500016		6	Screw M6-1,0x55 8,8	
21	904228		6	Washer 6,4x12x1,5	
22	586002		6	Lock nut M6	
23	923859		3	Cover plate	
24	923876		3	Clamp	
25	500053		4	Screw M8-1,25x20 8,8	
26	903626		1	Connector	
27	372574		3	Bracket	
28	381888		1	Sprinkler pipe	
	382896	2	1	Sprinkler pipe	
29	923683		2	Plug	
30	903543		8	Sprinkler, cpl	D
31	923680		1	.Nozzle clamp	D
32	923962		1	..O-ring	D
33	903010		1	.Gasket	D
34	903541		1	.Strainer with valve	D
35	904116		1	.Gasket	D
36	903540		1	.Nozzle body Green	D
37	909267		1	.Coupling Green	D
38	923680		1	Nozzle clamp	D
39	923962		1	.O-ring	D
40	904116		1	Gasket	D
41	929419		1	Coupling	
42	901431		1	Hose connection	
43	924996		1	Hose connection	D
44	244054	E	1XL	Hose reinforced 0,65 m	
45	923735		1	Hose connection	
46	244054	F	1XL	Hose reinforced 0,65 m	
47	244054	G	1XL	Hose reinforced 0,65 m	
48	244054	H	1XL	Hose reinforced 0,65 m	
49	904108		3	Screw M08x020H	
50	924544		1	Hose connection	

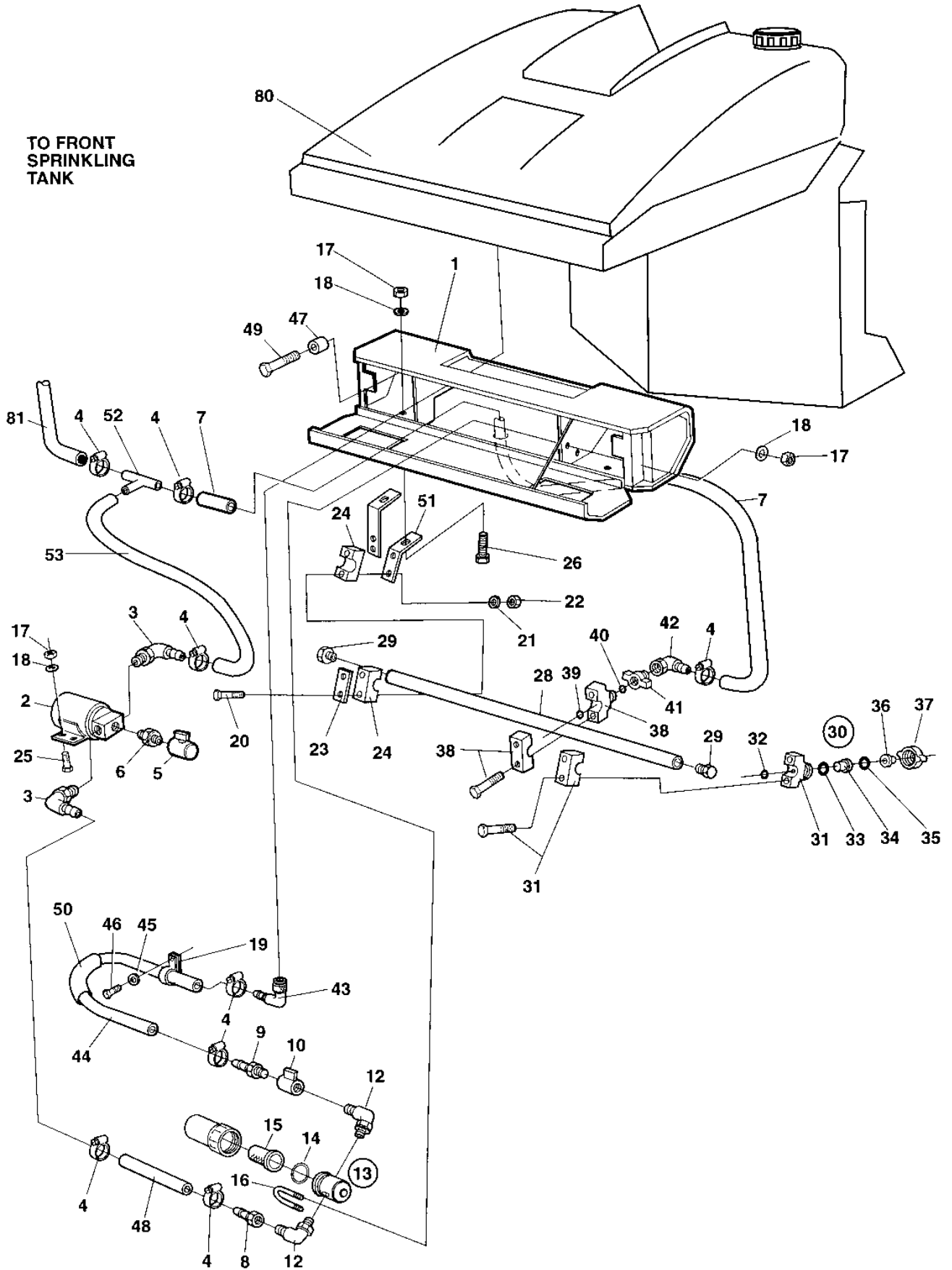
- 1) Item 9 and 10 changed together
 2) Valid for rollers with spring loaded scrapers, foldable.
 A) L=0,46 m
 E) L=0,43 m
 F) L=0,70 m
 G) L=0,08 m
 H) L=0,41m



Sprinkler system, front

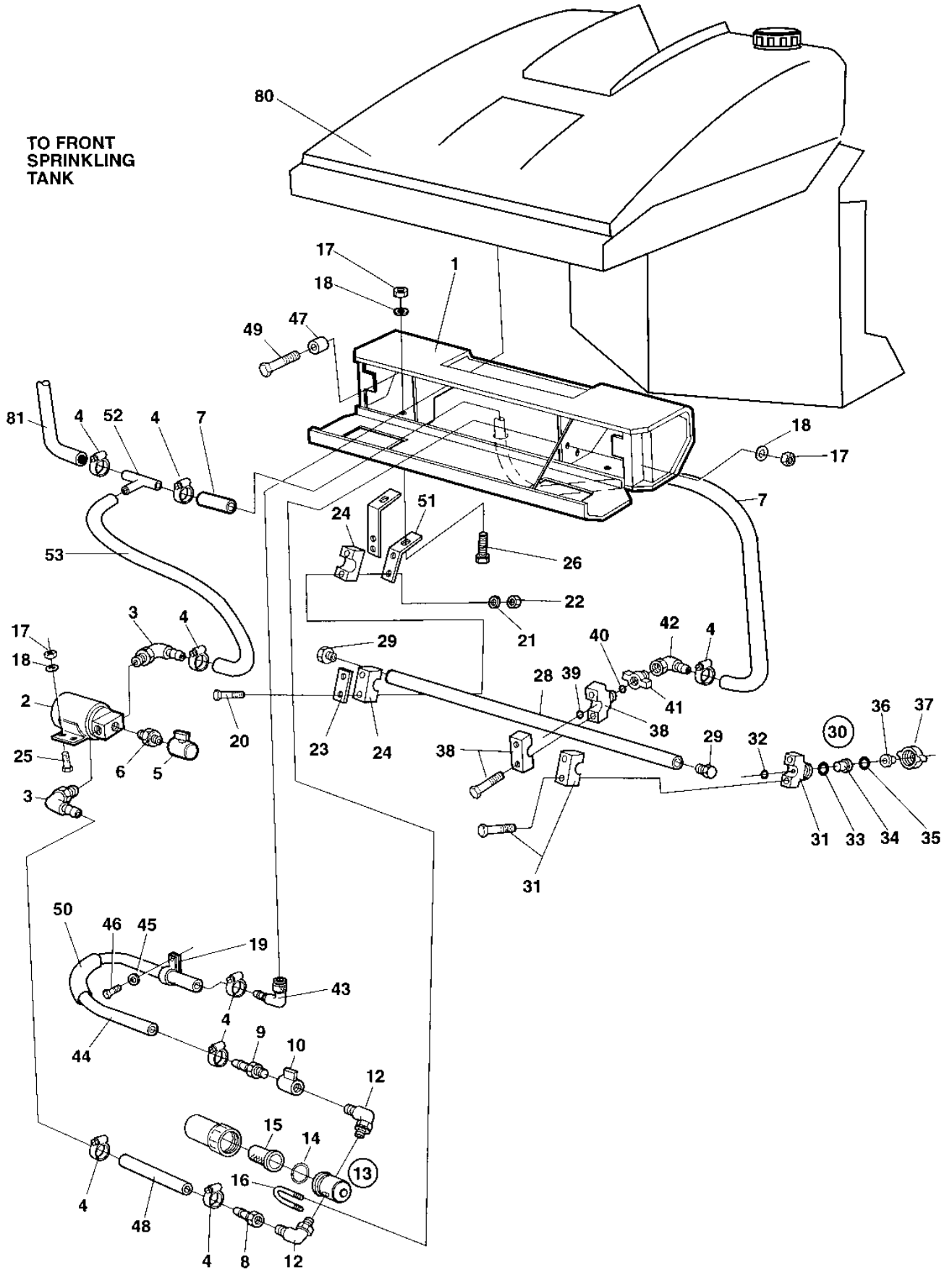
Ref. No.	Part No.	Rem.	Qty	Description	Code
80	359047		1	Sprinkling tank, front	
81		I	1	Plastic hose	

l) See sprinkler systems, tanks

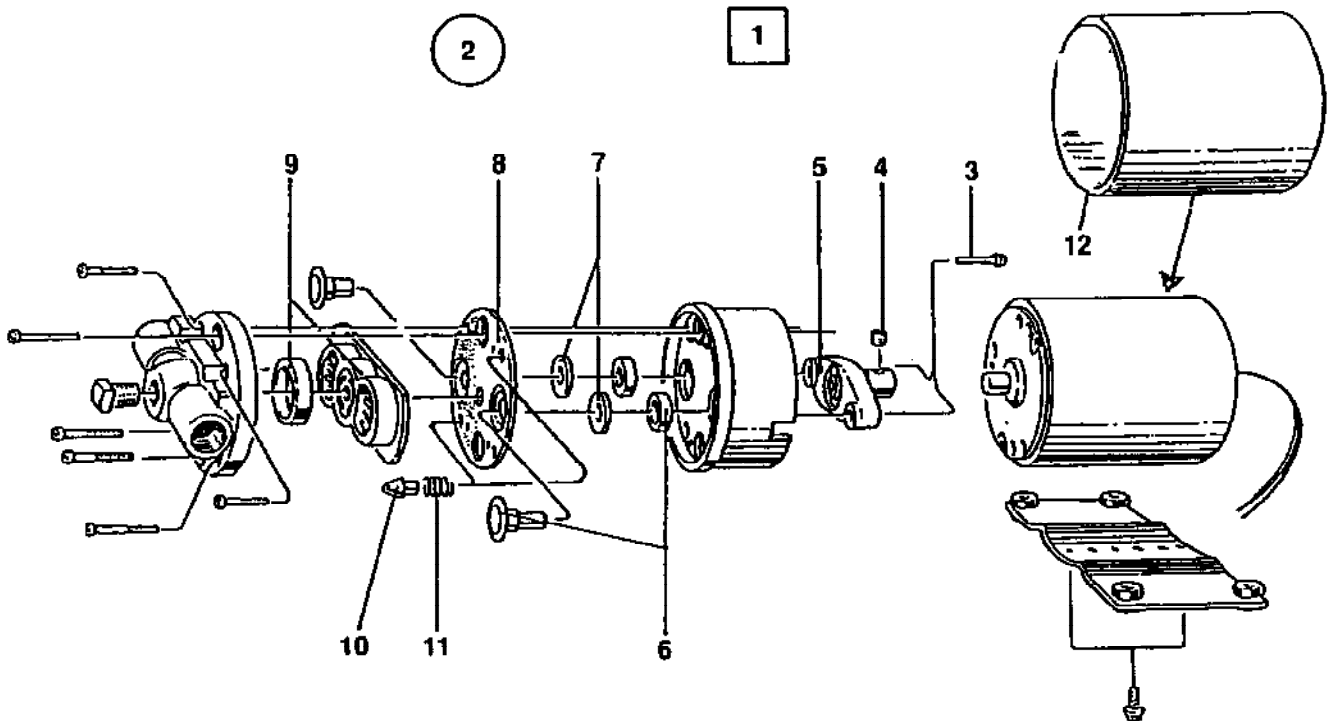


Ref. No.	Part No.	Rem.	Qty	Description	Code
1	370006		1	Sprinkler box Up to 62910638	
	376249		1	Sprinkler box From 62910639	
2	923690		1	Water pump Up to 62910533 (Page 62)	C
	903987		1	Sprinkling pump From 62910534 (Page 64)	C
3	923734		2	Hose connection	
4	313002		8	Hose clamp	
5	901309		1	Valve	
6	901837		1	Connector	
7	244054	A	1XL	Hose reinforced 0,65 m	
8	901297		1	Hose connection	
9	924544	1	1	Hose connection	
10	925599	1	1	Valve	
12	901298		2	Connector	
13	920775		1	Strainer	
14	921423		1	.Gasket	D
15	901841		1	.Strainer	D
16	923984		2	Clamp	
17	570005		11	Nut M8	
18	904229		11	Washer 8,4x16x1,5	
19	921047		1	Clamp	
20	500016		6	Screw M6-1,0x55 8,8	
21	904228		6	Washer 6,4x12x1,5	
22	586002		6	Lock nut M6	
23	923859		3	Cover plate	
24	923876		3	Clamp	
25	500053		4	Screw M8-1,25x20 8,8	
26	904108		3	Screw M08x020H	
28	381888		1	Sprinkler pipe	
	382896	2	1	Sprinkler pipe	
29	923683		2	Plug	
30	903543		8	Sprinkler, cpl	D
31	923680		1	.Nozzle clamp	D
32	923962		1	..O-ring	D
33	903010		1	.Gasket	D
34	903541		1	.Strainer with valve	D
35	904116		1	.Gasket	D
36	903540		1	.Nozzle body Green	D
37	909267		1	.Coupling Green	D
38	923680		1	Nozzle clamp	D
39	923962		1	.O-ring	D
40	904116		1	Gasket	D
41	929419		1	Coupling	
42	901431		1	Hose connection	
43	924996		1	Hose connection	D
44	244054	D	1XL	Hose reinforced 0,65 m	
45	904281		1	Washer 5,3x10x1	
46	500041		1	Screw	
47	359434		8	Spacer sleeve	
48	244054	E	1XL	Hose reinforced 0,65 m	
49	500031		8	Screw M10-1,5x40 8,8	
50	901191	F	1XL	Protective hose	
51	372574		3	Bracket	

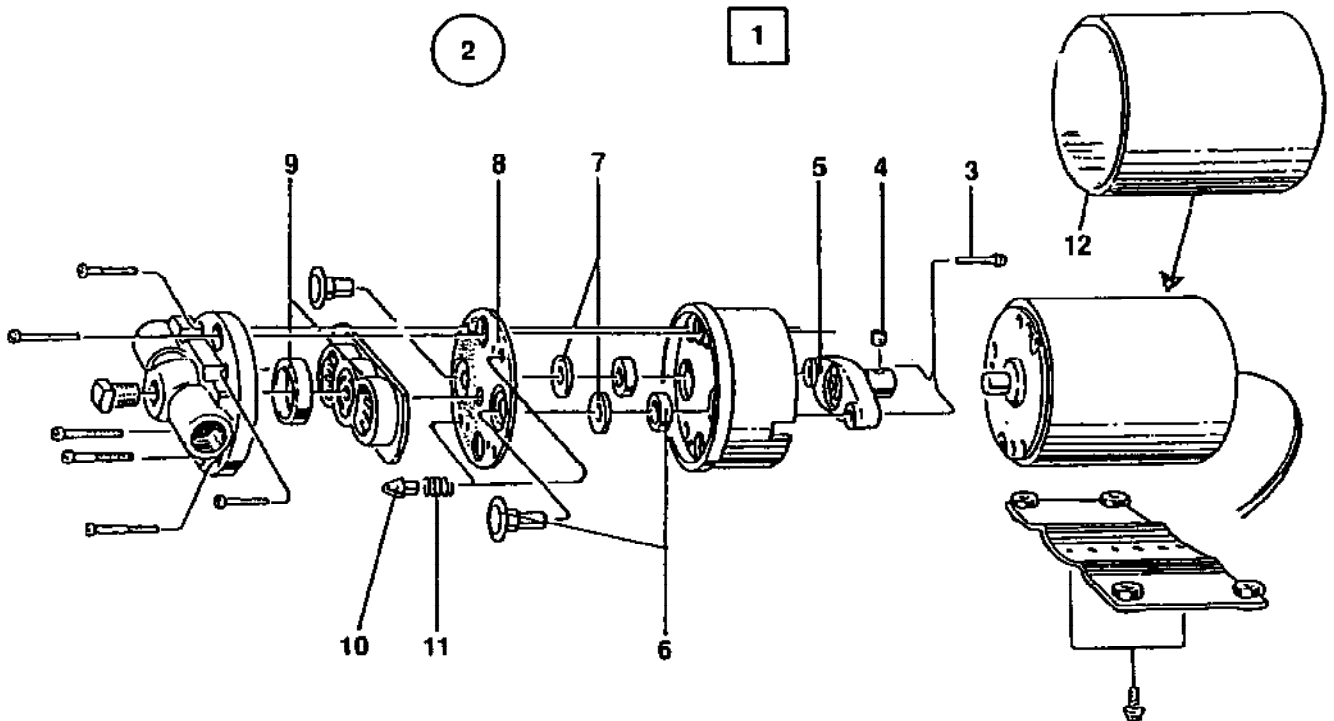
- 1) Item 9 and 10 changed together
 2) Valid for rollers with spring loaded scrapers, foldable.
 A) L=0,45 m
 D) L=0,87 m
 E) L=0,42 m
 F) L=0,80 m



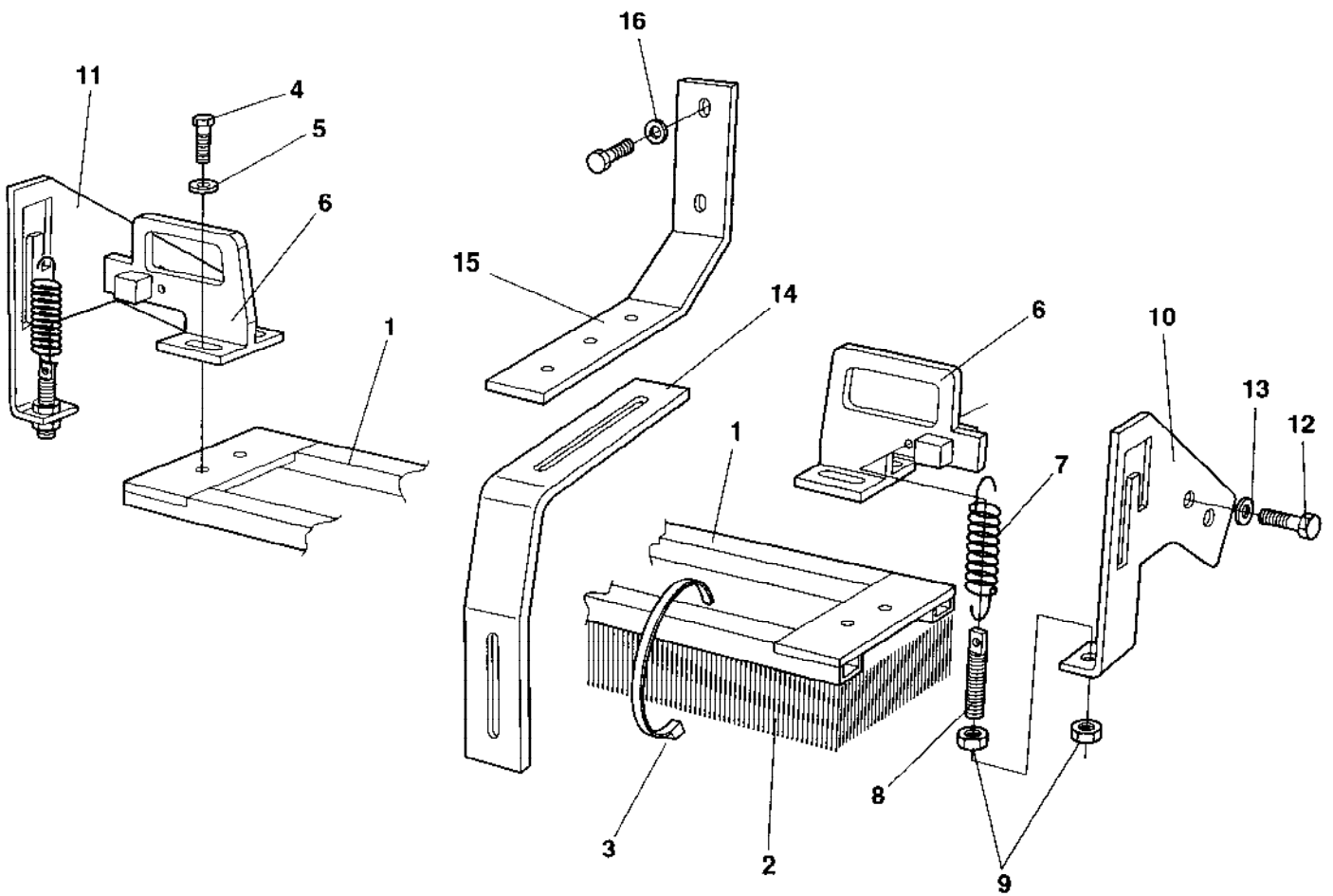
Ref. No.	Part No.	Rem.	Qty	Description	Code
52	923735		1	Hose connection	
53	244054	G	1XL	Hose reinforced 0,65 m	
80	359048		1	Sprinkling tank, rear	
81		H	1	Plastic hose	
G)	L=0,10 m				
H)	See Sprinkler systems, tanks				



Ref. No.	Part No.	Rem.	Qty	Description	Code
2	902303		1	.Repair kit	D
3			1	..Screw, set	D
4			1	..Screw	D
5			1	..Rotor, cpl	D
6			1	..Piston, set	D
7			2	..Wear washer	D
8			1	..Diaphragm	D
9			1	..Check valve	D
10			2	..Poppet	D
11			2	..Spring	D
12	929881		1	.Protection	



Ref. No.	Part No.	Rem.	Qty	Description	Code
1		A	1	Sprinkling pump	
2	909533		1	.Repair kit	D
3			1	..Screw kit	D
4			1	..Screw	D
5		A	1	..Rotor	D
6			1	..Piston, set	D
7			2	..Wear washer	D
8			1	..Diaphragm	D
9			1	..Check valve	D
10			1	..Poppet	D
11			1	..Spring	D
12				Not used on this model	D
A)	CPL				



Sprinkler mats

Ref. No.	Part No.	Rem.	Qty	Description	Code
1	374436	A	2	Holder	
2	904345		2	Roller mat	
3	313102		72	Cable ties	
4	500021		8	Screw M8-1,25x25 8,8	
5	904229		8	Washer 8,4x16x1,5	
6	374297		4	Rod end	
7	371770		4	Spring	
8	358684		4	Spring collar	
9	573005		8	Nut	
10	374296		2	Holder, left	
11	374300		2	Holder, right	
12	500028		8	Screw M10-1,5x25 8,8	
13	904230		8	Washer 10,5x22x2	
14	381137		2	Scraper bracket	
15	381148		2	Scraper bracket	
16	904557		4	Washer 10,5x22x4	

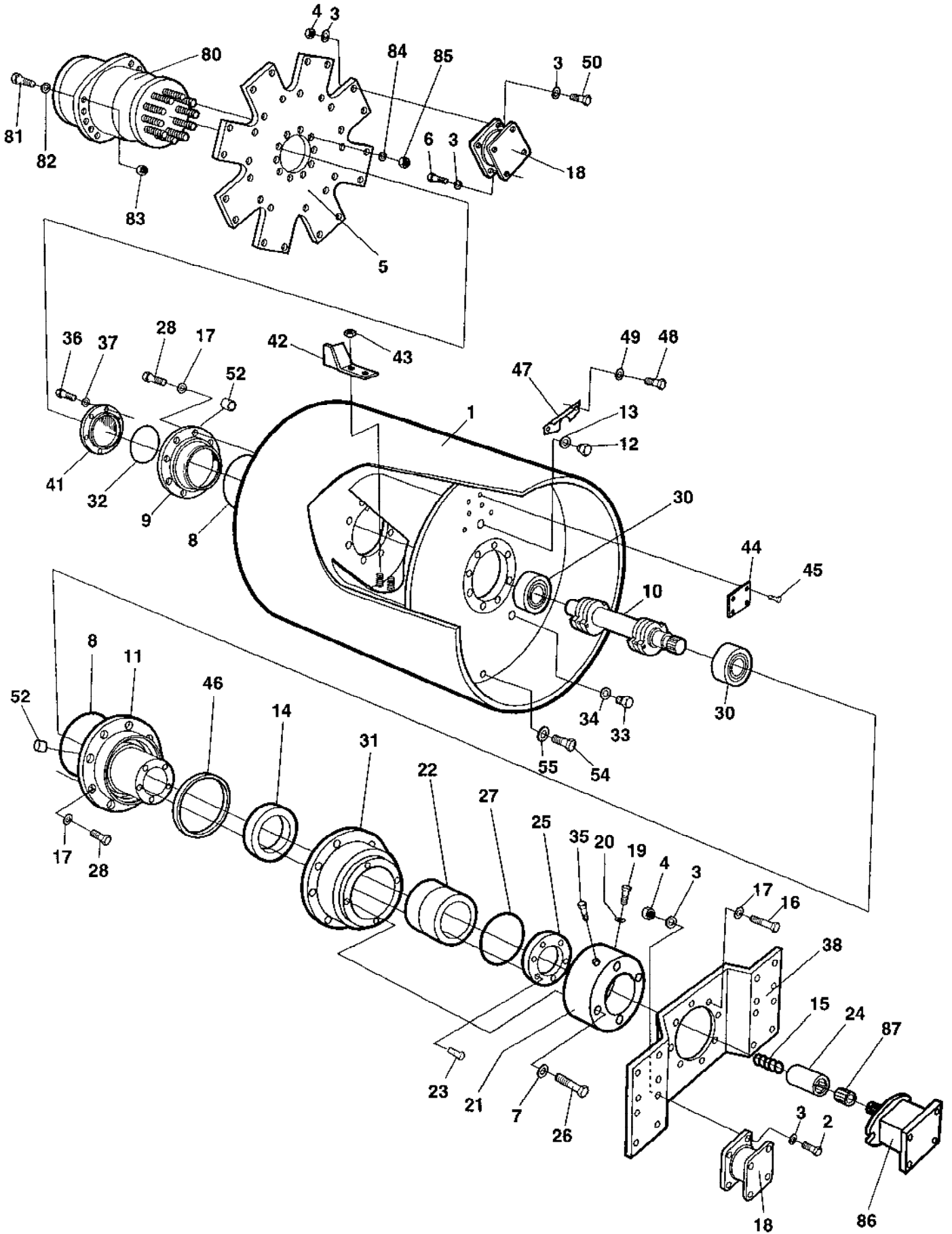
A) Sprinkler mat

Drum

Ref. No.	Part No.	Rem.	Qty	Description	Code
100				Drum, standard, front/rear (Page 70)	

Drum, standard, front/rear

15878-2



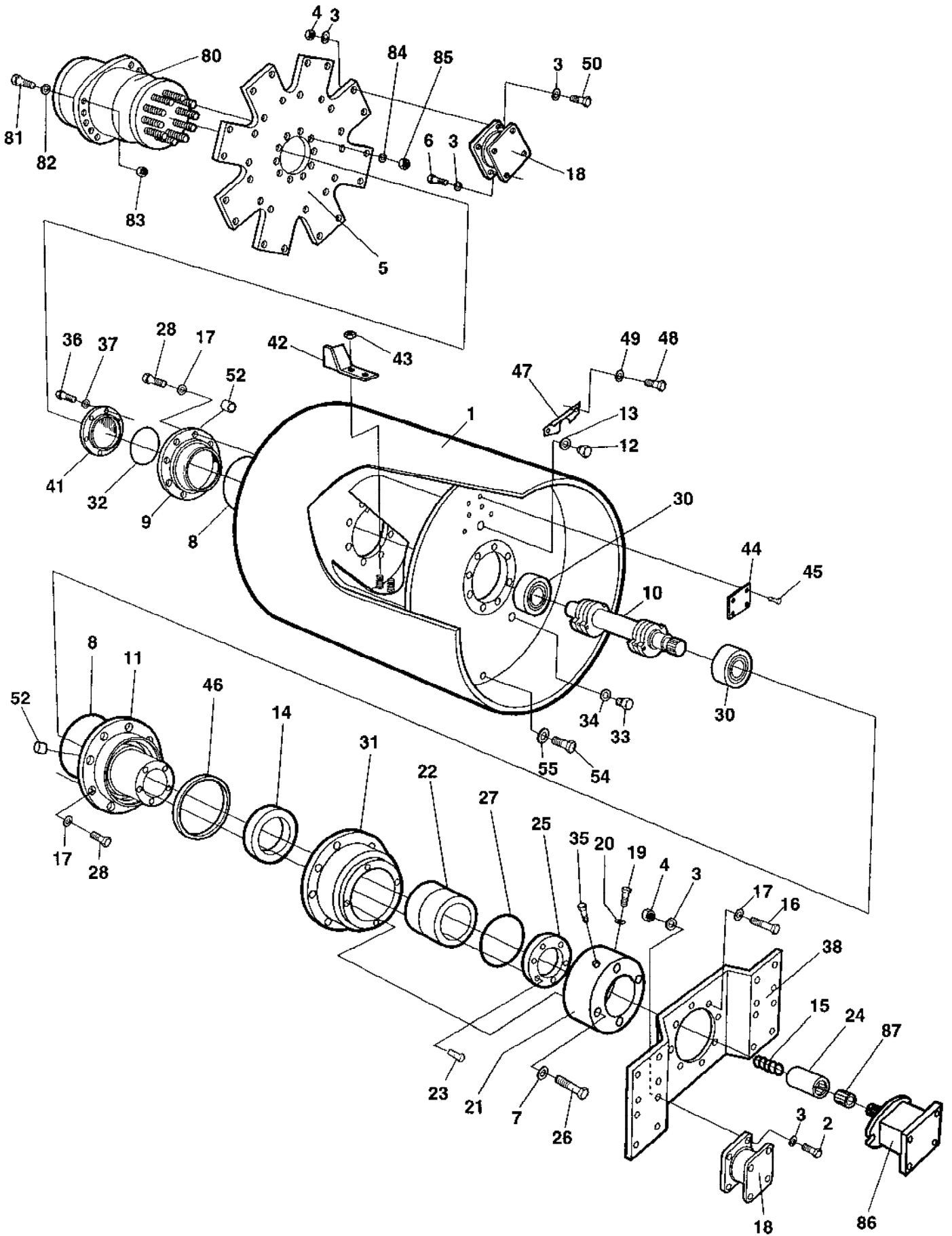
Drum, standard, front/rear

Ref. No.	Part No.	Rem.	Qty	Description	Code
		1		Missing description	
1	370865		1	Drum	
2	500195		16	Screw M12-1,75x50 8.8	
3	904231		128	Washer 13x24x2	
4	586019		48	Lock nut M12	
5	359950		1	Drive disc	
6	508084		32	Screw	
7	904231		4	Washer 13x24x2	
8	160107		2	O-ring Up to 62910624	D
	160344		1	O-ring From 62910625	D
9	359155		1	Bearing housing Up to 62910624	
	374840		1	Bearing housing From 62910625	
10	371642		1	Eccentric shaft	
11	343933		1	Bearing housing Up to 62910624	
	374837		1	Bearing housing From 62910625	
12	343744		1	Magnetic plug M30	D
13	162017		1	Seal ring M30	D
14	167023		1	Seal ring	D
15	349715		1	Spring	
16	500076		8	Screw M16x55	
17	904232		8	Washer 17x30x3	
18	450122		12	Shock absorber	B
19	370231		1	Plug	
20	162018		1	Sealing	D
21	359339		1	Connector	
22	116041		1	Taper roller bearing	D
23	508019		8	Screw M8x25	
24	370365		1	Splined sleeve	
25	343462		1	Bearing cover	
26	500049		4	Screw M12-1,75x60 8.8	
27	160105		1	O-ring	D
28	500093		16	Screw M16x40 Up to 62910567	
	500076		16	Screw M16x55 From 62910568 Up to 62910624	
	500070		16	Screw M16x50 From 62910625	
30	114060		2	Spherical roller bearing	
31	343318		1	Bearing housing	D
32	160105		1	O-ring	D
33	344196		1	Plug M12	D
34	162027		1	Sealing M12	D
35	926736		1	Breather M14	B
36	500028		6	Screw M10-1,5x25 8,8	
37	904230		6	Washer 10,5x22x2	
38	359956		1	Mounting plate	
41	343321		1	Bearing cover	
42	359203		6	Blade	
43	902286		12	Lock nut M8	
44	343801		1	Sign plate	
45	527002		4	Drive screw	
46	929447		1	V-ring	D
47	359955		1	Drop plate	
48	500019		2	Screw M8-1,25x16 8,8	
49	904229		2	Washer 8,4x16x1,5	
50	500195		32	Screw M12-1,75x50 8.8	
52	900775		5	Plug	
53	904232		16	Washer 17x30x3 Up to 62910567	
	358575		16	Spacer sleeve From 62910568 Up to 62910624	
	904232		16	Washer 17x30x3 From 62910625	
54	500163		1	Screw M12x16	

1) The quantity is valid for one (1) drum

Drum, standard, front/rear

15878-2



Drum, standard, front/rear

Ref. No.	Part No.	Rem.	Qty	Description	Code
55	904231		1	Washer 13x24x2	
80		A	1	Hydraulic motor, propulsion	
81	500208		10	Screw	
82	904233		10	Washer 21x36x3	
83	586002		10	Lock nut M6	
84	904260		10	Washer	
85	903725		10	Nut	
86		A	1	Hydraulic motor, vibration	
87		A	1	Splined sleeve	
A)	See group 50				

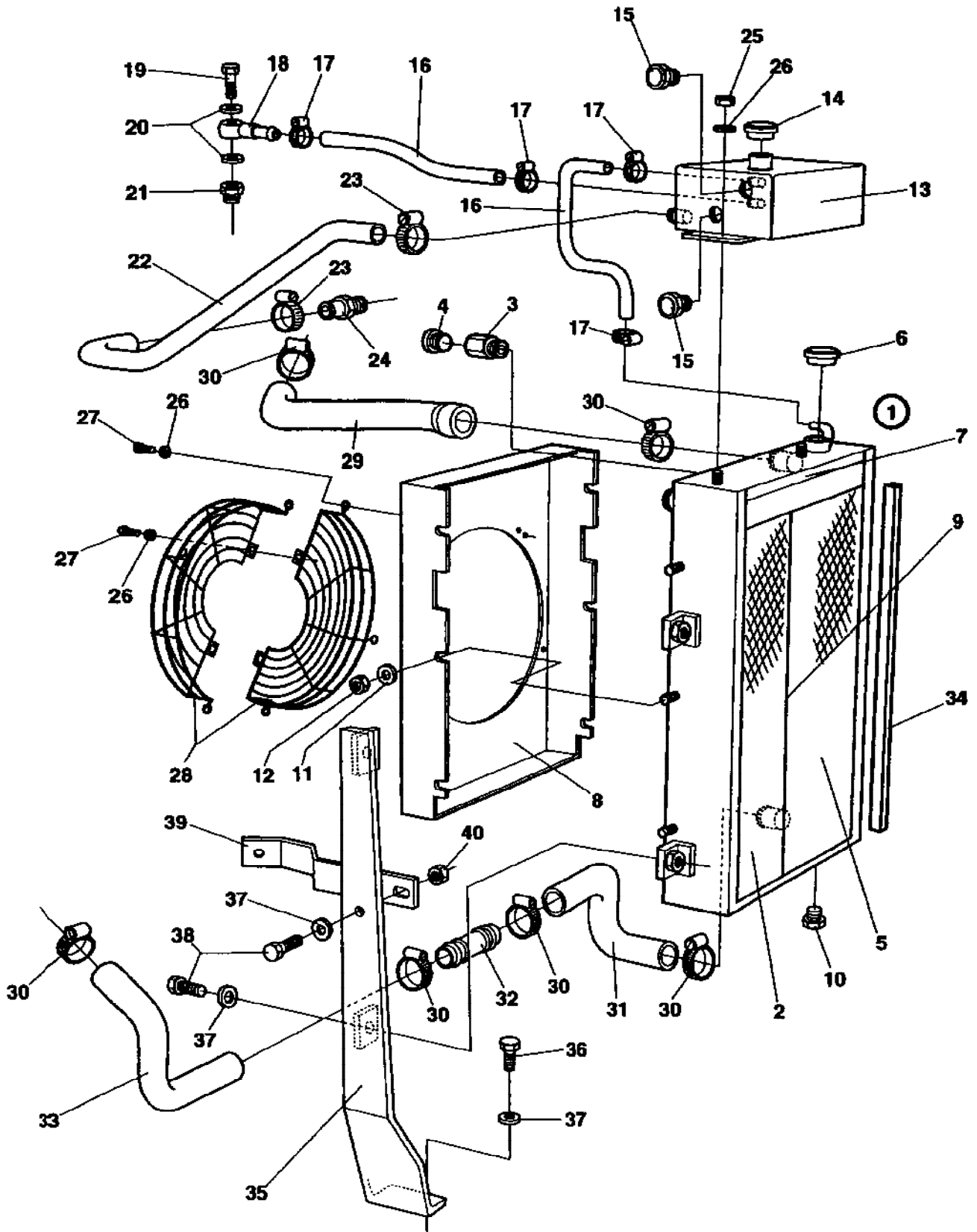
Engine

Ref. No.	Part No.	Rem.	Qty	Description	Code
200				Diesel engine CUMMINS 4BTA 3.9 (Page 76)	
300				Radiator/cooler Up to 62910523 (Page 78)	
350				Radiator/cooler From 62910534 (Page 80)	
400				Intake system (Page 82)	
500				Fuel system CUMMINS 4BTA 3.9 (Page 84)	
600				Exhaust system (Page 86)	
700				Pumpdrive and coupling (Page 88)	
710	359151			Gear box Up to 62910639 (Page 90)	
	373354			Gear box From 62910640 (Page 92)	

Diesel engine CUMMINS 4BTA 3.9

Ref. No.	Part No.	Rem.	Qty	Description	Code
1	370486		1	Diesel engine Up to 62910523	
	372539		1	Diesel engine, elite From 62910524	D
2	901449		1	.V-belt	B
3	900829		1	.Fuel filter	A
4	900827	A	1	.Fuel filter Up to 62910523	A
	935969	A	1	.Fuel filter w. waterseparator From 62910524	A
5	212373		1	.Oil filter	A
6	901350		1	.Alternator Up to 62910566	C
	935950		1	Alternator From 62910567	C
7	901448		1	.Starter	C
8	909653		1	.Stop solenoid	D
9	370324		1	Fan Up to 62910523	
	372648		1	Fan From 62910524	
10	372819		1	Hydraulic hose	
11	330331		3	Washer 18,2x23,9x1,5	
12	747691		1	Hollow screw	
13	330383		1	Cap hydraulic	
14	230515		1	Connector	
15	904233		2	Washer 21x36x3	
16	370825		1	V-belt cover Up to 62910523	
	373665		1	V-belt cover From 62910524	
17	372525		1	V-belt cover Up to 62910566	
	380101		1	V-belt cover From 62910567	
18	371359		1	Engine bracket	
19	370935		1	Engine bracket	
20	370936		1	Engine bracket	
21	370937		1	Engine bracket	
22	370930		2	Pipe	
23	922670		2	Shock absorber	D
24	922671		2	Shock absorber	D
25	371091		1	Connector Up to 62910523	
	372451		1	Connector From 62910524	
26	371727		1	Sleeve	
27	904231		17	Washer 13x24x2	
28	500019		1	Screw M8-1,25x16 8,8	
29	903763		4	Screw	
30	500031		9	Screw M10-1,5x40 8,8	
31	500194		2	Screw M12x40	
32	904230		17	Washer 10,5x22x2	
33	500046		10	Screw M12x30H 8,8 FZB	
34	500197		4	Screw 12x90 8.8	
35	500029		8	Screw M10-1,5x30 8,8	
36	586018		8	Lock nut M10	
37	372762		1	Bracket	
38	570007		1	Lock nut M12	
39	821255		4	Washer	
40	500013		1	Screw M6-1x16 8,8	
41	570004		1	Nut M6	
44	921028		1	Clamp	
45	603020		4	Washer	
46	904379		1	Screw M10x110H 8,8	
47	904230		1	Washer 10,5x22x2	
48	586018		1	Lock nut M10	
49	904241		1	Screw M8x40	
50	904556		1	Washer 8,4x16x3,0	
51	570005		1	Nut M8	
60	903632		1	Temperature sensor Engine	D
61	927100		1	Sensor, pressure Up to 62910523	
	935044		1	Oil pressure sensor From 62910524	D

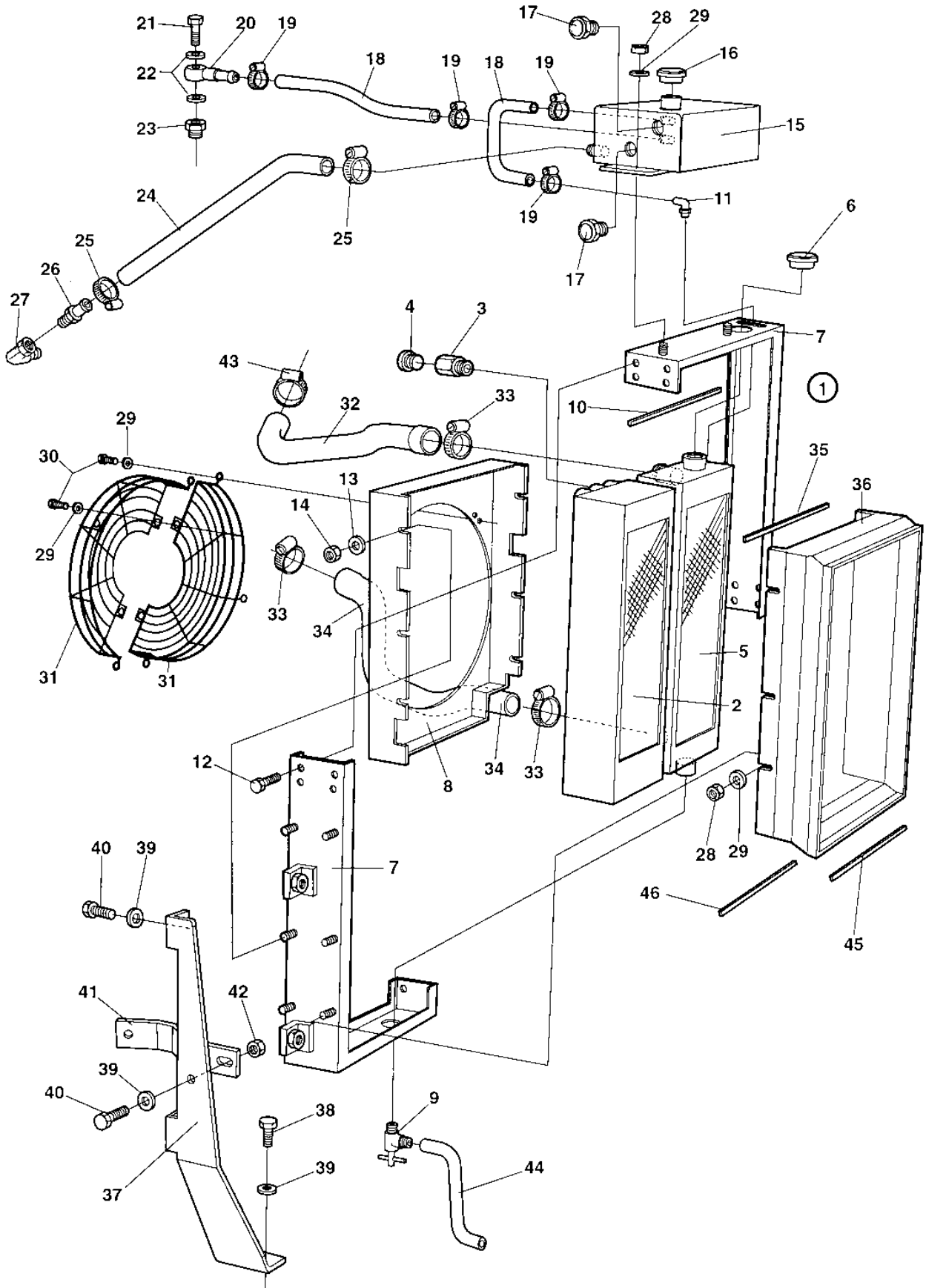
A) With separator



Radiator/cooler

Ref. No.	Part No.	Rem.	Qty	Description	Code
1	359146		1	Radiator, cpl	
2	908288		1	.Oil cooler	
3	359224		1	.Valve	
4	908290		1	.Plug	
5	908291		1	.Water radiator	
6	908292		1	.Radiator cover	D
7	908293		1	.Frame	
8	908294		1	.Hood	
9	908302	A	1XL	.Rubber list	
10	908458	B	1	.Tap	
11	603019		6	Washer	
12	570102		6	Nut M8	
13	370485		1	Expansion tank	
14	903714		1	Cap	D
15	372597		2	Level glass	
16	903382		2	Rubber hose	
17	313108		4	Hose clamp	
18	903916		1	Banjo coupling	
19	903915		1	Hollow screw	
20	330328		2	Washer 10x14x1	
21	372544		1	Connector	
22	371225		1	Coolant hose	
23	313035		2	Hose clamp	
24	370840		1	Hose connection	
25	586003		2	Lock nut M8	
26	600006		10	Washer	
27	500019		8	Screw M8-1,25x16 8,8	
28	370860		2	Fan guard	
29	370882		1	Coolant hose	
30	313010		6	Hose clamp	
31	370928		1	Coolant hose	
32	370864		1	Connection piece	
33	370929		1	Coolant hose	
34	902212	C	1XL	Edge trim	
35	370498		1	Bracket	
36	500028		2	Screw M10-1,5x25 8,8	
37	600008		6	Washer	
38	500029		6	Screw M10-1,5x30 8,8	
39	370501		1	Bracket	
40	586018		2	Lock nut M10	

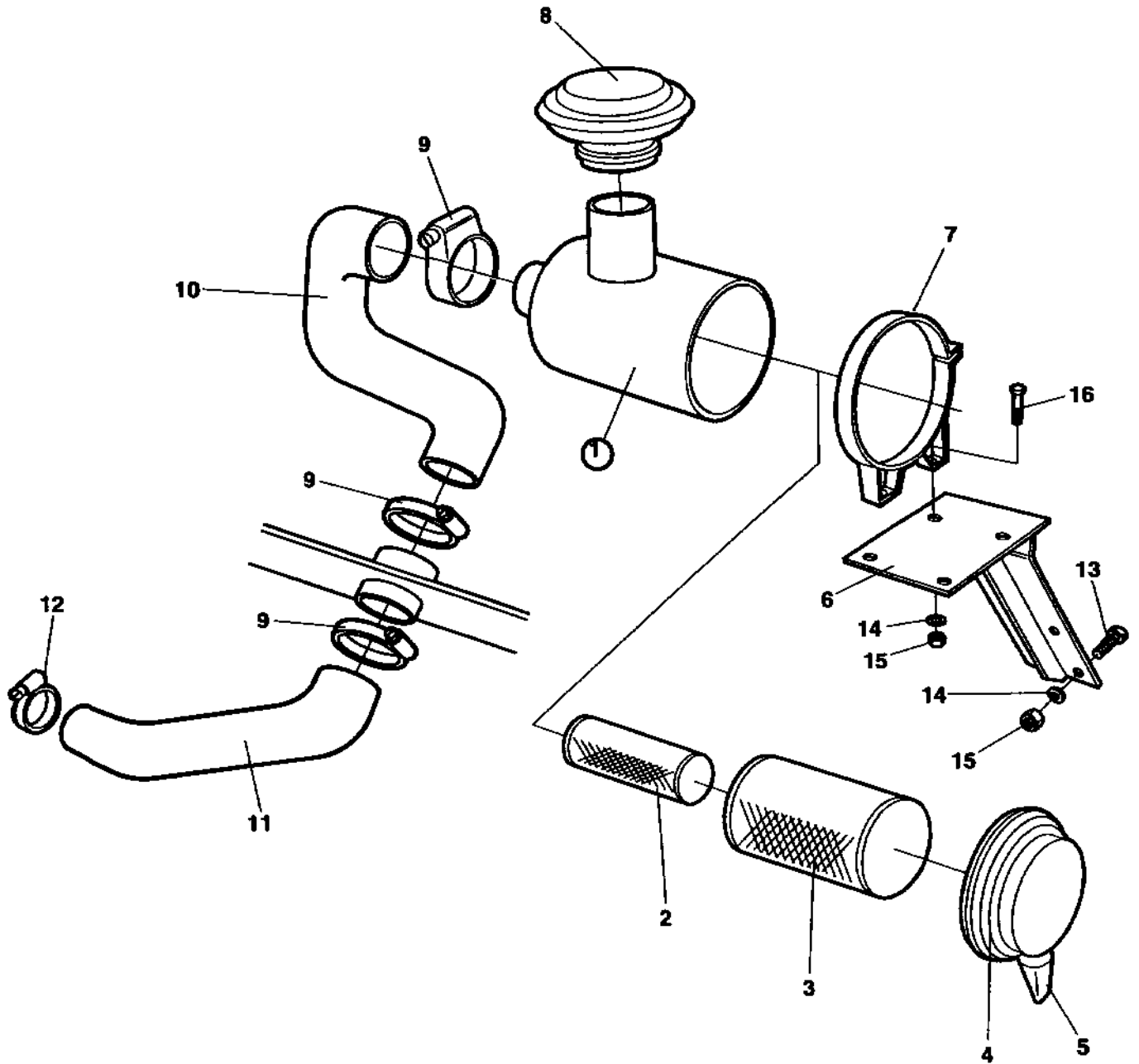
- A) Length as required
 B) Incl. seal
 C) L=2,4 m



Radiator/cooler

Ref. No.	Part No.	Rem.	Qty	Description	Code
1	372369		1	Radiator	
2	909505		1	.Oil cooler	C
3	359224		1	.Valve	
4	908290		1	.Plug	
5	909506		1	.Water radiator	C
6	908292		1	.Radiator cover	D
7	909507		1	.Frame	
8	909508		1	.Hood	
9	909629		1	.Drain cock	
10	202011	A	1XL	.Rubber list	
11	909636		1	.Connector	
12	541708		8	Screw M08x16	
13	603019		6	Washer	
14	570102		6	Nut M8	
15	370485		1	Expansion tank	
16	903714		1	Cap	D
17	372597		2	Level glass	
18	903382		2	Rubber hose	
19	313108		4	Hose clamp	
20	903916		1	Banjo coupling	
21	903915		1	Hollow screw	
22	330328		2	Washer 10x14x1	
23	372544		1	Connector	
24	371225		1	Coolant hose	
25	313006		2	Hose clamp	
26	370840		1	Hose connection	
27	234365		1	Elbow 90	
28	570005		8	Nut M8	
29	904556		14	Washer 8,4x16x3,0	
30	500019		8	Screw M8-1,25x16 8,8	
31	370860		2	Fan guard	
32	372394		1	Coolant hose	D
33	313010		3	Hose clamp	
34	372452		1	Coolant hose	D
35	202046	B	1XL	Rubber strip 25x10	
36	373668		1	Air inlet frame	
	373821	F,G	1	Frame	
37	373213		1	Bracket	
38	500028		2	Screw M10-1,5x25 8,8	
39	904230		6	Washer 10,5x22x2	
40	500029		6	Screw M10-1,5x30 8,8	
41	372426		1	Bracket	
42	586018		2	Lock nut M10	
43	313009		1	Hose clamp	
44	904174	C	1XL	Plastic hose	
45	902212	D	1XL	Edge trim	
46	297018	G	1XL	Rubber strip	

- A) Length as required
- B) L=0,85 m
- C) L=0,37 m
- D) L=2,6 m
- F) Only for France
- G) L=0,6 m



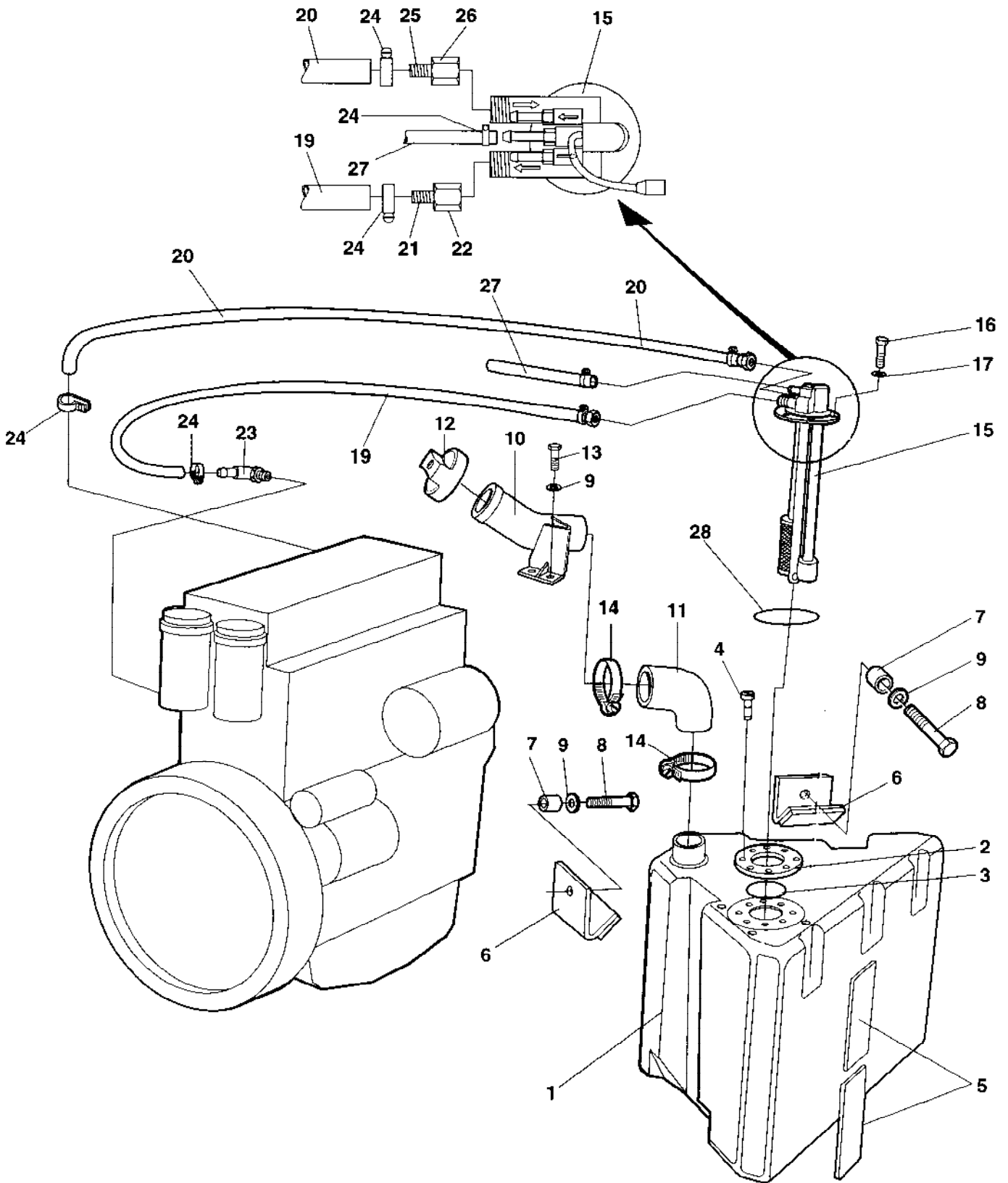
Intake system

Ref. No.	Part No.	Rem.	Qty	Description	Code
1	370953		1	Air cleaner	
2	908451	A	1	.Air filter	A
3	908450	B	1	.Air filter	A
4	908452		1	.Cover	
5	908399		1	.Vacuator valve	D
6	373890		1	Bracket	
7	813791		2	Mounting band	
8	499266		1	Protection cover	
9	904060		3	Hose clamp	
10	372731		1	Air inlet hose	
11	359036		1	Rubber hose	
12	904059		1	Hose clamp	
13	904271		4	Bolt	
14	904230		8	Washer 10,5x22x2	
15	586018		8	Lock nut M10	
16	500029		4	Screw M10-1,5x30 8,8	

- A) SAFETY
B) MAIN

Fuel system CUMMINS 4BTA 3.9

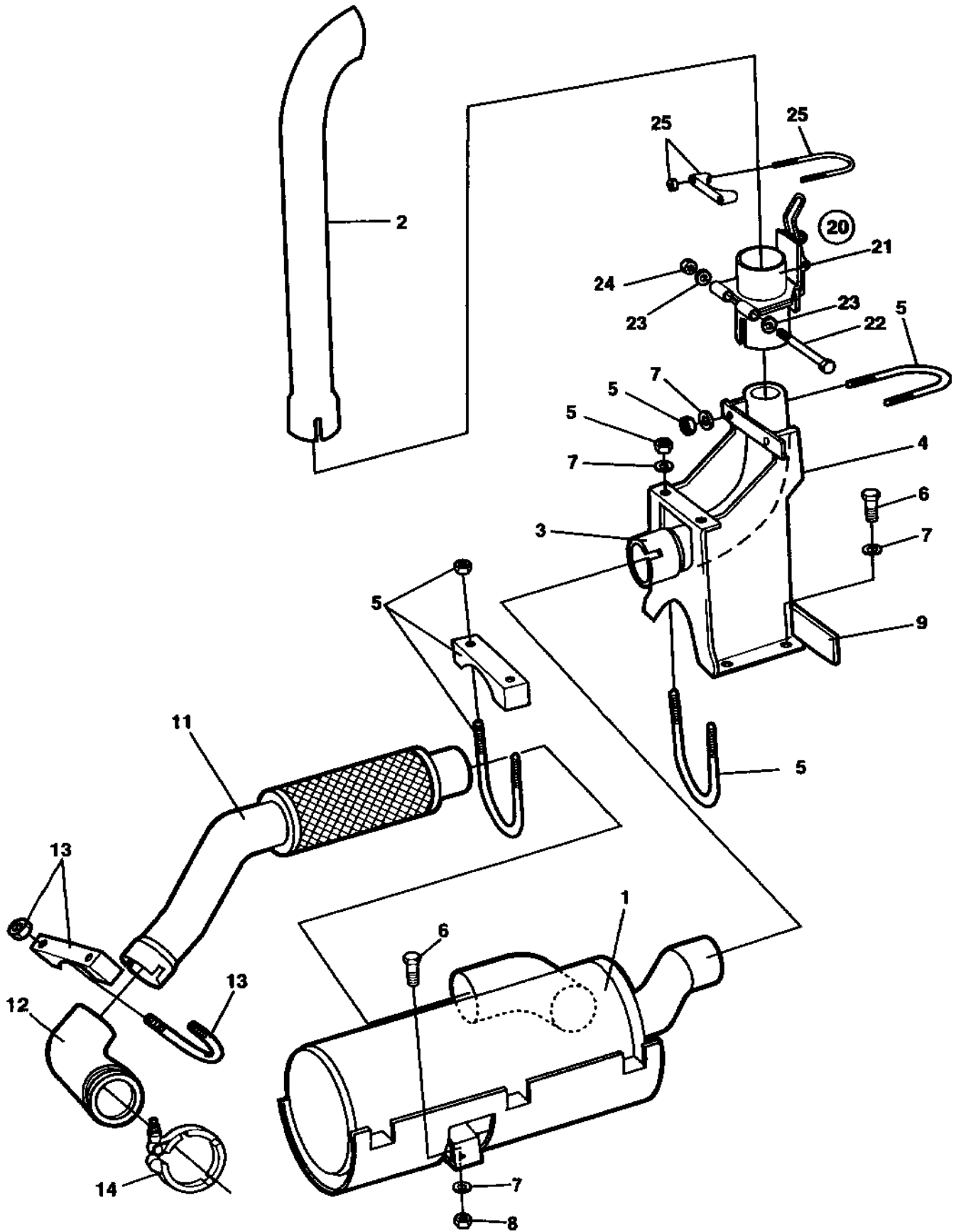
15906



Fuel system CUMMINS 4BTA 3.9

Ref. No.	Part No.	Rem.	Qty	Description	Code
1	359719		1	Fuel tank Up to 62910648	
	370520		1	Fuel tank From 62910649	
2	359621	1	1	Flange 3 mm Up to 62910648	
	380447		1	Flange 2 mm From 62910649	
3	160058	1	1	O-ring	D
4	533038	1	8	Screw	
5	357459		15	Rubber cloth	
6	359618		2	Holder	
7	359434		2	Spacer sleeve	
8	500030		2	Screw M10-1,5x35H 8,8	
9	600008		4	Washer	
10	359622		1	Filling pipe Up to 62910523	
	373302		1	Filling pipe From 62910524	
11	359720		1	Rubber hose	
12	499097		1	Filler cap Up to 62910523	D
	373304		1	Cap From 62910524	D
	902866		1	.Key Marked "455"	D
13	500048		2	Screw M10-1,5x20 8,8	
14	313038		2	Hose clamp	
15	382023		1	Level sender	D
16	500013		8	Screw M6-1x16 8,8	
17	904228		8	Washer 6,4x12x1,5	
19	371113	B	1	Fuel hose	
20	904984	C	1XL	Fuel hose	D
21	903683		1	Hose connection	
22	903685		1	Hose connection socket	
23	234349		1	Connector Up to 62910523	
	234840			Connector From 62910524	
24	313001		4	Hose clamp	
25	904211		1	Hose connection	
26	903684		1	Hose connection socket	
27	371254	D	1	Plastic hose	
28	904707		1	O-ring From 62910649	D

- 1) Included in tank 359719 up to S/N
 B) L=2360 mm Suction
 C) L=3200 mm Return
 D) L=450 mm Breather

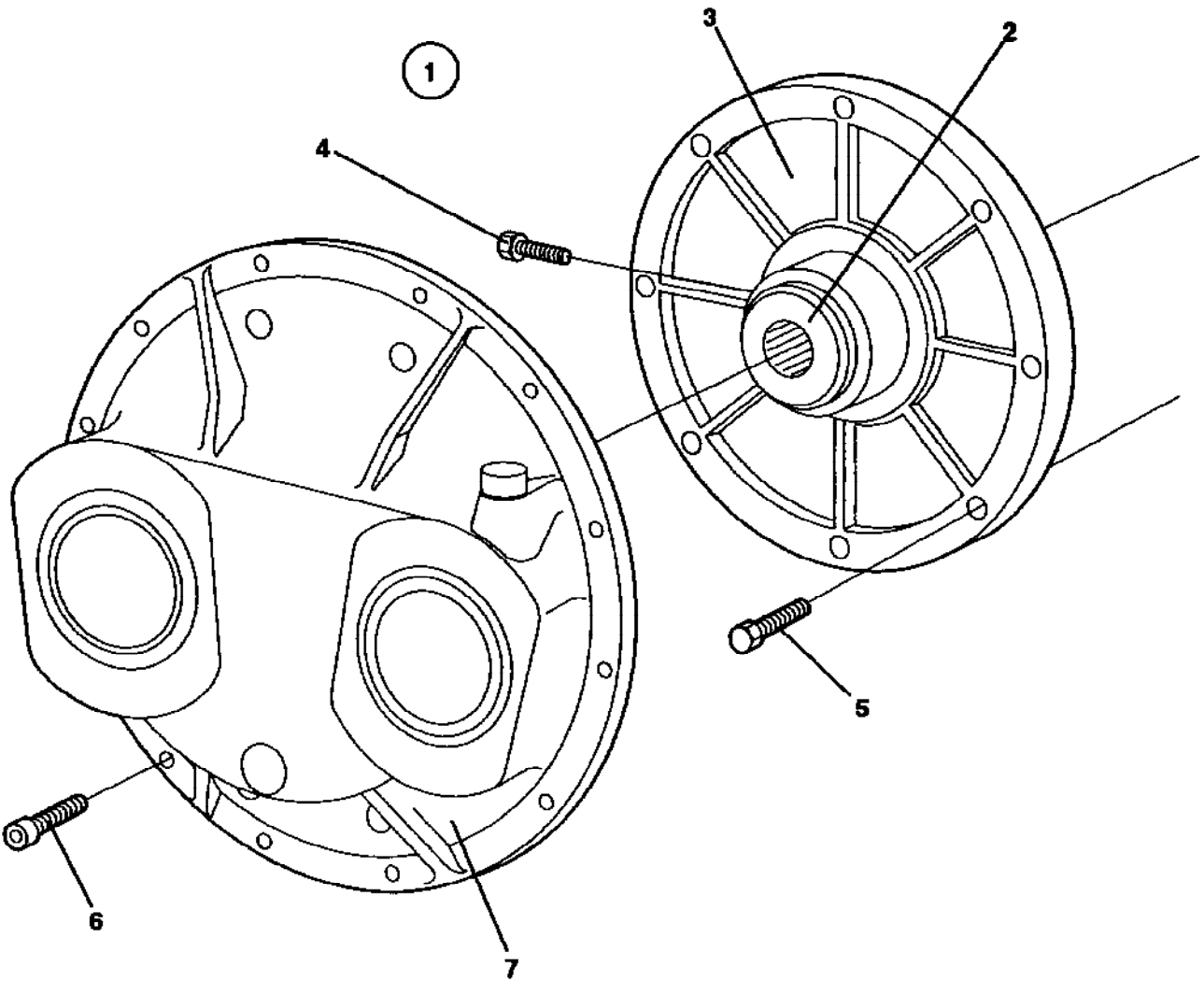


Exhaust system

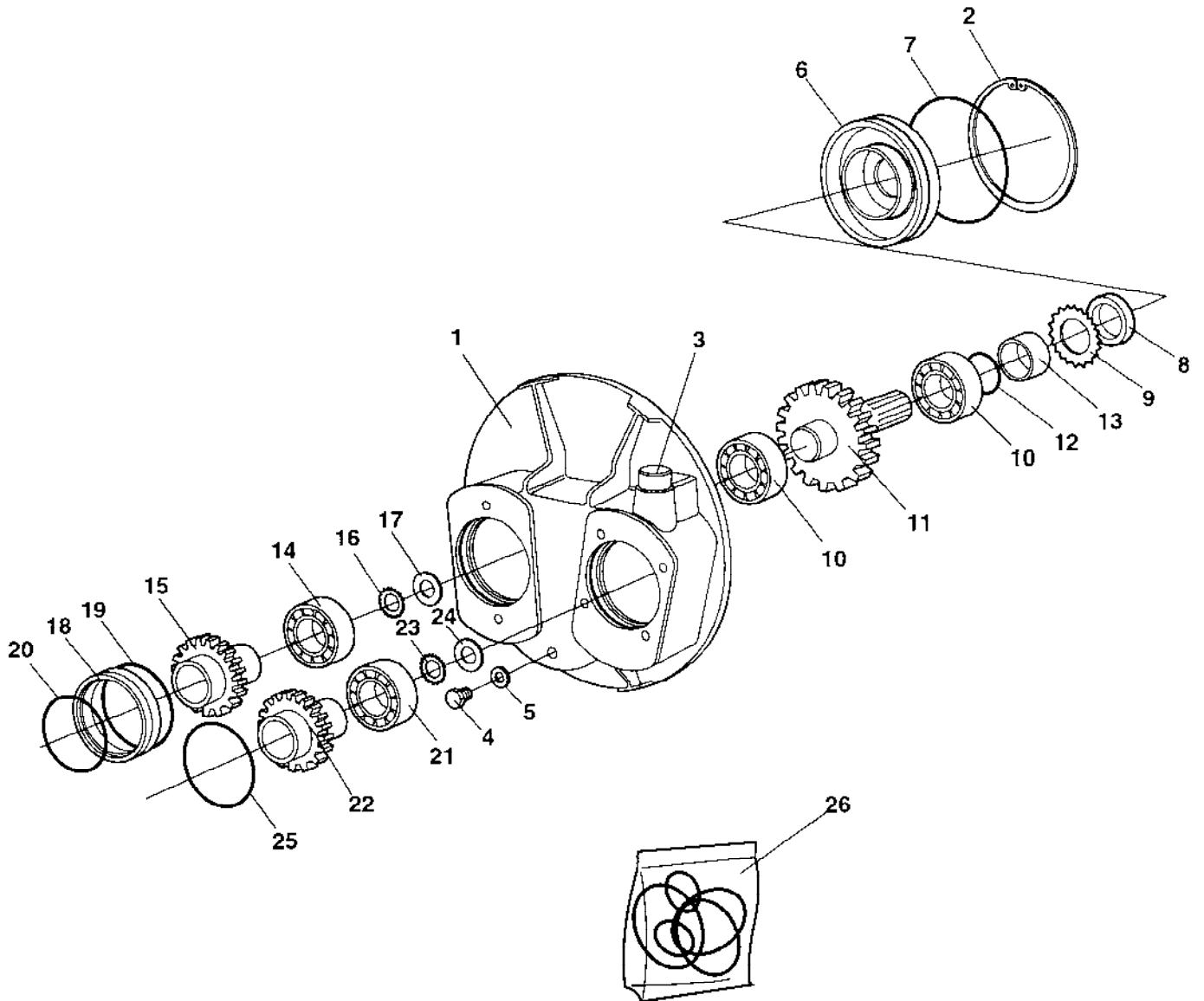
Ref. No.	Part No.	Rem.	Qty	Description	Code
1	370490		1	Muffler	D
2	370491		1	Exhaust pipe	
3	370618		1	Exhaust pipe	D
4	370492		1	Bracket	
5	313094		3	Pipe clamp	
6	500022		6	Screw M8-1,25x30 8,8	
7	603019		12	Washer	
8	586003		2	Lock nut M8	
9	902166	A	1XL	Edge trim	
11	370924		1	Exhaust pipe Up to 62910523	
	372490			Exhaust pipe From 62910524	D
12	370925		1	Exhaust pipe Up to 62910523	
	372491			Exhaust pipe From 62910524	
13	313094		1	Pipe clamp	
14	929185		1	Clamp	D
20	373694	B	1	Hinged exhaust pipe, cpl	
21			1	.Hinged exhaust pipe	
22	500267		1	.Screw	
23	600009		2	.Washer	
24	586019		1	.Lock nut M12	
25	313094		1	Pipe clamp	

A) L=0,78 m

B) Option



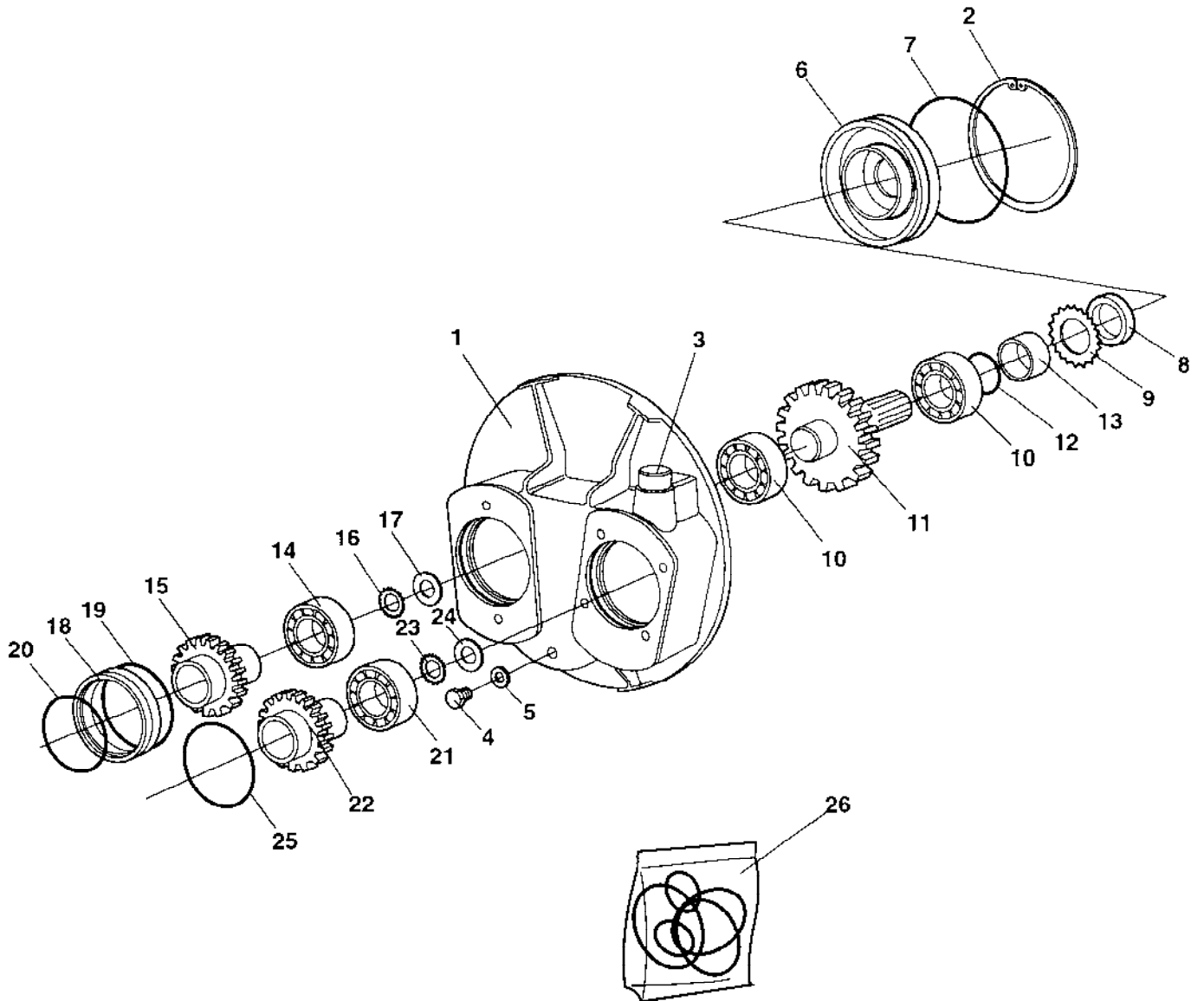
Ref. No.	Part No.	Rem.	Qty	Description	Code
1			1	Coupling, cpl	
2	370230		1	.Hub	
3	370232		1	.Flange	D
4	904176		1	.Screw	
5	509025		8	Screw 3/8-16UNCx32 8,8	
6	508029		12	Screw M10-1,5x30H 8,8	
7	359151		1	Gear box Up to 62910639 (Page 90)	
	373354		1	Gear box From 62910640 (Page 92)	



359151 Gear box

Ref. No.	Part No.	Rem.	Qty	Description	Code
			1	Gear box, cpl	
1	935667		1	.Housing	
2	935399		1	.Spring ring	
3	935668		1	.Oil dipstick	
4	935669		1	.Plug	
5		A	1	.Sealing ring	
6	935671		1	.Bearing cover	
7		A	1	.O-ring	
8		A	1	.Shaft seal	
9	935674		1	.Spring washer	
10	935675		2	.Bearing	
11	935676			.Drive wheel	
12		A	1	.O-ring	
13	935678		1	.Wear sleeve	
14	935679		1	.Ball bearing	
15	935680			.Output gear	
16	935681		2	.Spring washer	
17	935733		1	.Retaining ring	
18	935682		1	.Centering ring	
19		A	1	.O-ring	
20		A	1	.O-ring	
21	935679		1	.Ball bearing	
22	935684		1	.Output gear	
23	935681		2	.Spring washer	
24	935733		1	.Retaining ring	
25		A	1	.O-ring	
26	935686		1	Seal kit	

A) Included in seal kit



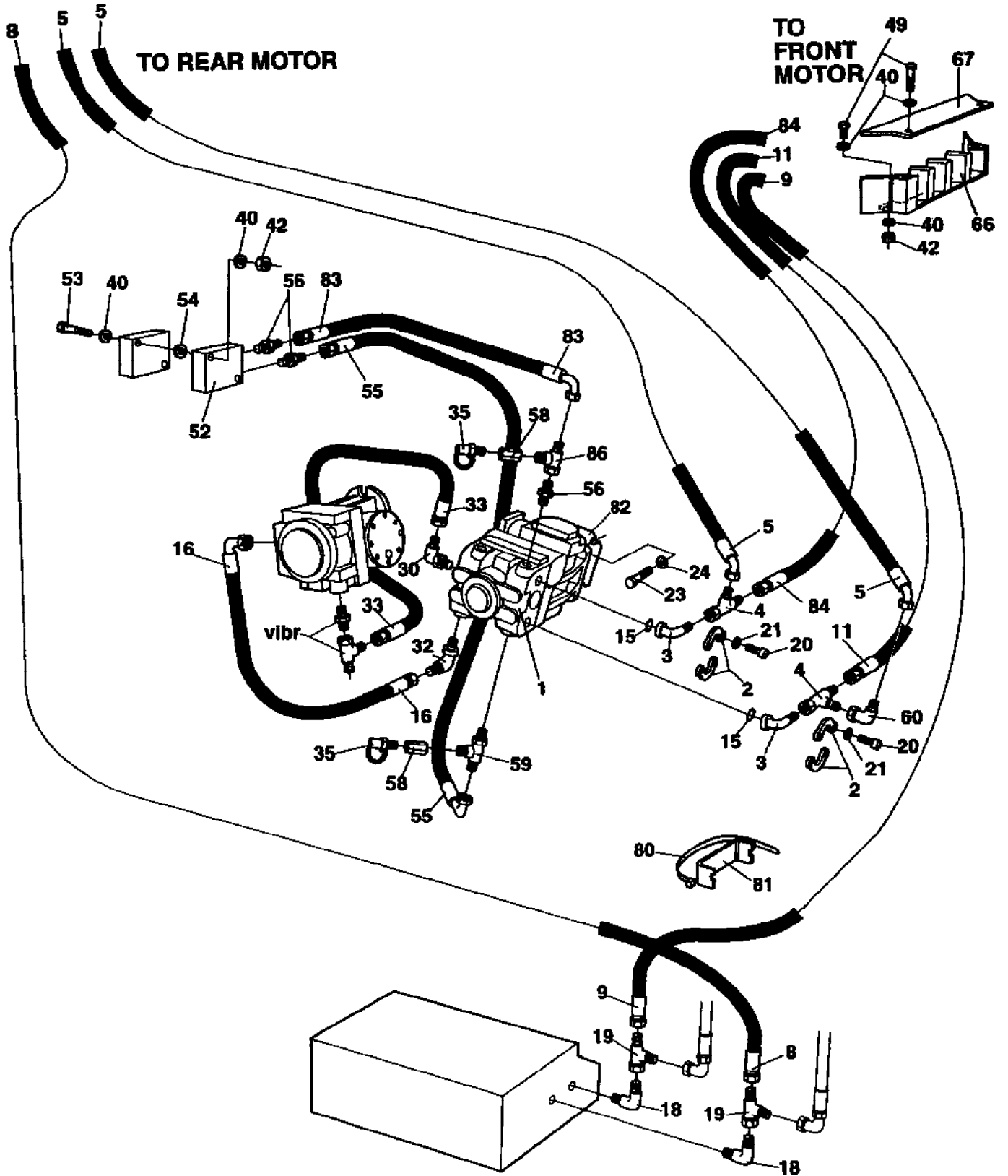
373354 Gear box

Ref. No.	Part No.	Rem.	Qty	Description	Code
			1	Gear box, cpl	
1	935667		1	.Housing	
2	935399		1	.Spring ring	
3	935668		1	.Oil dipstick	
4	935669		1	.Plug	
5		A	1	.Sealing ring	
6	935671		1	.Bearing cover	
7		A	1	.O-ring	
8		A	1	.Shaft seal	
9	935674		1	.Spring washer	
10	935675		2	.Bearing	
11	937730		1	.Drive wheel	
12		A	1	.O-ring	
13	935678		1	.Wear sleeve	
14	935679		1	.Ball bearing	
15	937731		1	.Output gear	
16	935681		2	.Spring washer	
17	935733		1	.Retaining ring	
18	935682		1	.Centering ring	
19		A	1	.O-ring	
20		A	1	.O-ring	
21	935679		1	.Ball bearing	
22	937732		1	.Output gear	
23	935681		2	.Spring washer	
24	935733		1	.Retaining ring	
25		A	1	.O-ring	
26	935686		1	Seal kit	

A) Included in seal kit

Hydraulic system

Ref. No.	Part No.	Rem.	Qty	Description	Code
150				Propulsion system, pump (Page 96)	
160	359142			Hydraulic pump, propulsion (Page 98)	C
205				Propulsion system, motors (Page 102)	
210	359143			Hydraulic motor, propulsion, front Up to 62910562 (Page 104)	C
220	374481			Hydraulic motor, propulsion, front From 62910563 Up to 62910564 (Page 108)	
230	359143			Hydraulic motor, propulsion, front From 62910565 (Page 104)	C
240	359144			Hydraulic motor, propulsion, rear Up to 62910562 (Page 116)	C
250	374482			Hydraulic motor, propulsion, rear From 62910563 Up to 62910564 (Page 120)	
260	359144			Hydraulic motor, propulsion, rear From 62910565 (Page 116)	C
280				Shut-off valve Option (Page 128)	
400				Vibration system, pump Up to 62910629 (Page 130)	
402				Vibration system, pump From 62910630 (Page 134)	
420	359141			Hydraulic pump, vibration (Page 136)	C
430	359140			Valve Vibration (Page 140)	C
450				Vibration system, motors (Page 142)	
460	370260			Hydraulic motor, vibration (Page 144)	C
600				Steering system Up to 62910523 (Page 146)	
605				Steering system From 62910524 Up to 62910630 (Page 150)	
610				Steering system From 62910631 (Page 154)	
620	359145			Steering valve (Page 158)	C
630	372991			Hydraulic pump steering (Page 160)	C
640	373410			Hydraulic cylinder Up to 62910621 (Page 162)	C
645	375031			Hydraulic cylinder From 62910622 (Page 164)	C
650				Hydraulic oil tank (Page 166)	
670				Offset drum Up to 62910523 (Page 168)	
671				Offset drum From 62910524 (Page 170)	
672				Valve Offset drum (Page 172)	
673	371438			Cylinder, offset drum (Page 174)	C
674	373406			Cylinder, offset drum (Page 176)	C
800				Brake system (Page 178)	



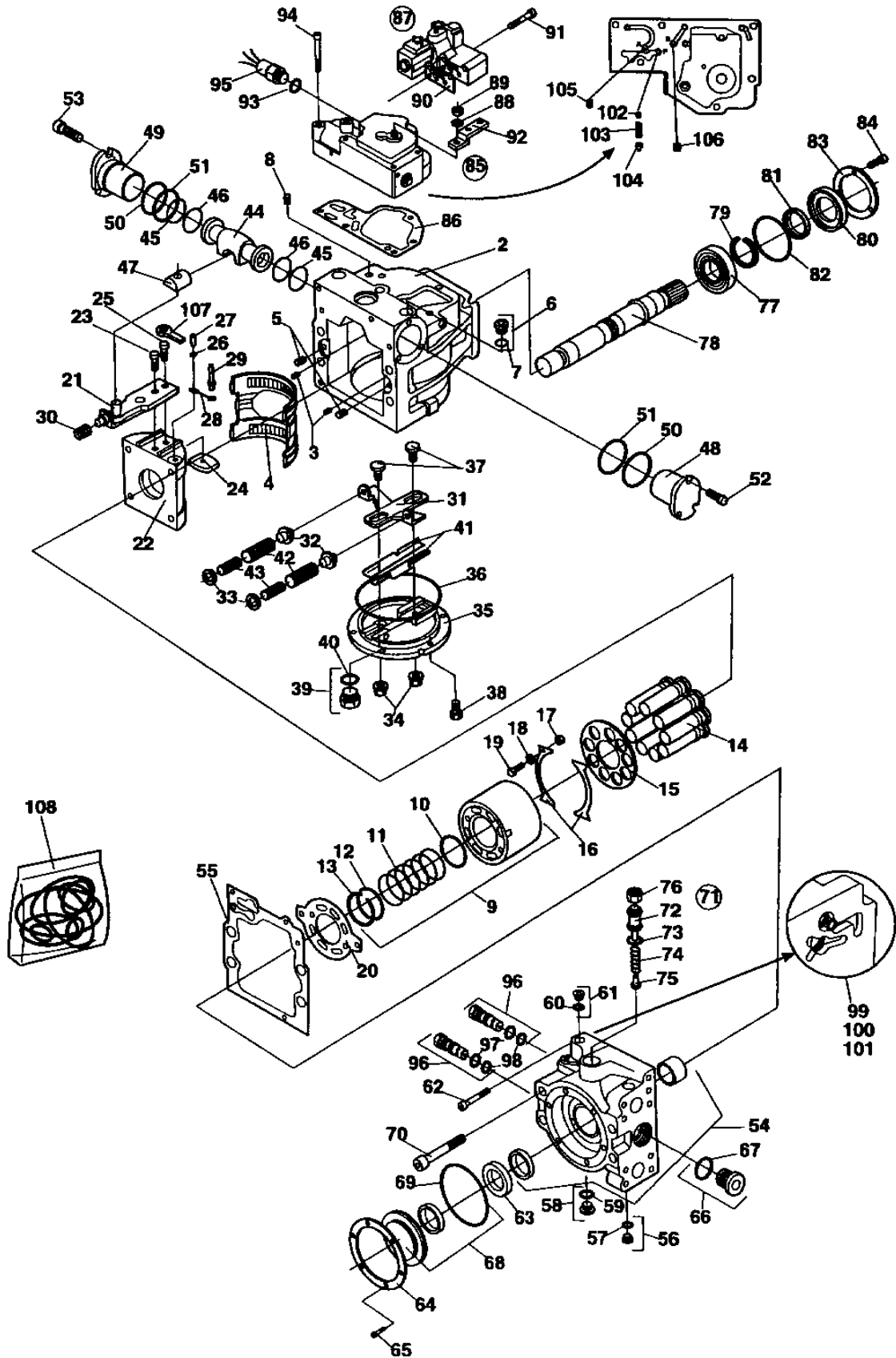
Propulsion system, pump

Ref. No.	Part No.	Rem.	Qty	Description	Code
1	359142		1	Hydraulic pump, propulsion (Page 98)	C
2	923384		4	Flange half	
3	903750		2	Elbow	
4	234243		2	T-connector	
5	903747		2	Hydraulic hose	
8	483066		1	Hydraulic hose	
9	482716		1	Hydraulic hose	
11	482747		1	Hydraulic hose	
15	904005		2	O-ring	
16	482467		1	Hydraulic hose Up to 62910629	
	482470		1	Hydraulic hose From 62910700	
18	801198		2	Elbow 90	
19	334135		2	T-connector	
20	502132		8	Screw UNC 7/16" x 22	
21	904638		8	Washer 12x22x2	
23	500039		4	Screw	
24	904214		4	Washer	
30	234810		1	Elbow 90, O-ring	
32	334132		1	Elbow 45, O-ring	
33	483072		1	Hydraulic hose	
35	910161		2	Measuring nipple	D
40	904230		10	Washer 10,5x22x2	
42	570006		4	Nut M10	
49	500028		4	Screw M10-1,5x25 8,8	
52	370049		1	Flushing valve	
53	500078		2	Screw	
54	904557		4	Washer 10,5x22x4	
55	482968		1	Hydraulic hose	
56	234233		3	Adapter	
58	433830401		2	Connector	
59	234746		1	Connector	
60	334155		1	Connector	
66	371159		1	Hose clamp	
67	371197		1	Hose clamp	
80	313102		N	Cable ties	
81	359648		N	Hose clamp	
82	908488	A	1	O-ring	
83	482987		1	Hydraulic hose	
84	483004		1	Hydraulic hose	
86	334234		1	Tee-connector	

A) Suppl. with gear box

359142 Hydraulic pump, propulsion

16840

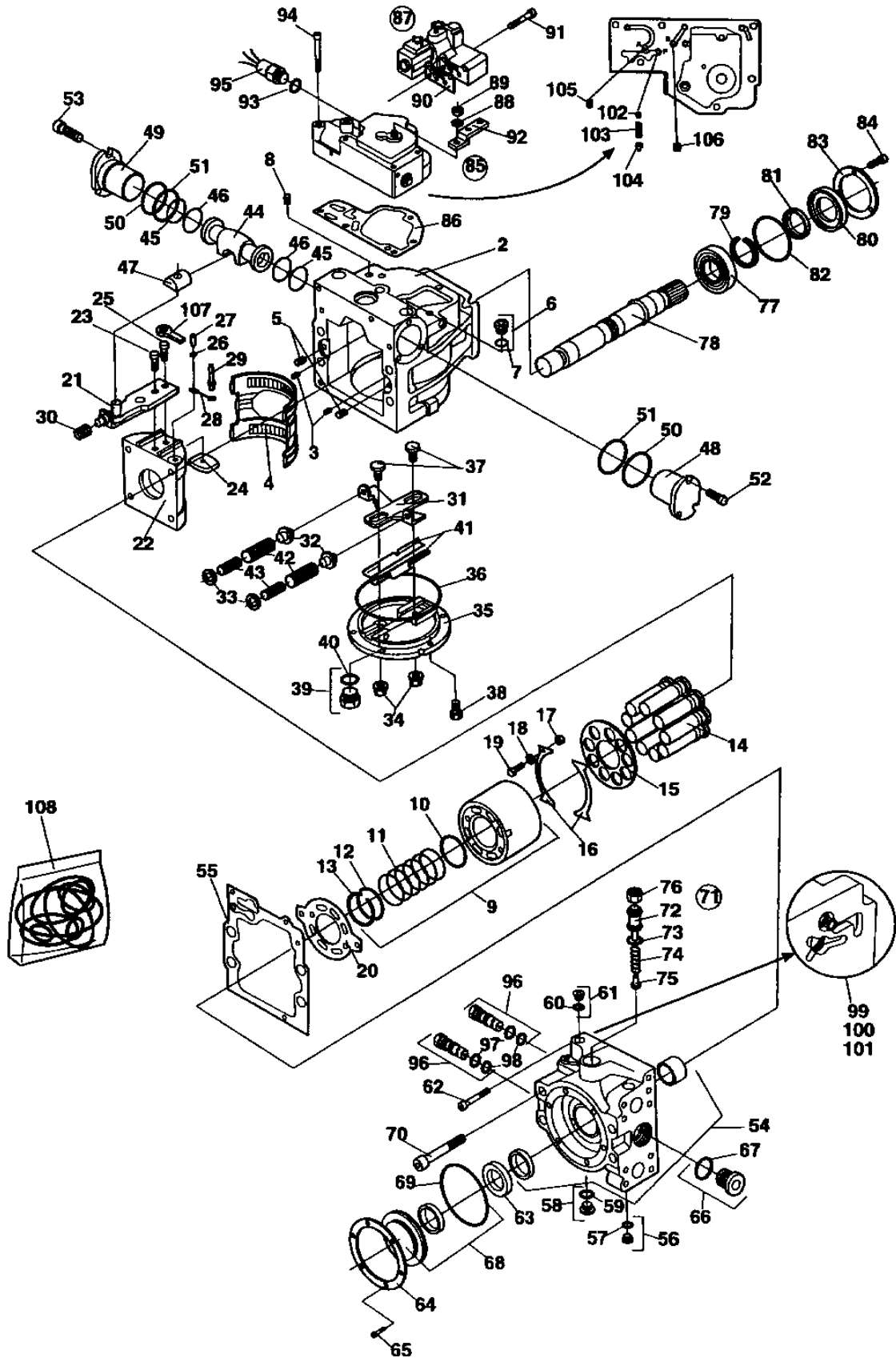


359142 Hydraulic pump, propulsion

Ref. No.	Part No.	Rem.	Qty	Description	Code
2	936546		1	Housing	
3	909374		2	Pin	
4	901452		1	Bearing	
5	813822		2	Pin	
6	908432		2	Plug	
7	923087		2	.O-ring	D
8	901454		3	Filter element	D
9	901455		1	Cylinder block, cpl	
10	935619		1	.Spacer	
11	935620		1	.Spring	
12	935621		1	.Spring retainer	
13	935622		1	.Ring retainer	
14	903570		9	Piston	D
15	903571		1	Pressure plate	D
16	901458		2	Retainer guide	D
17	935856		4	Spacer	
18	909381		4	Washer	
19	935855		4	Screw	
20	936547		1	Valve plate	
21	909727		1	Servo arm, cpl	
22	903579		1	Swash plate	
23	909386		1	Screw	
24	909387		1	Guide	
25	909388		1	Screw	
26	909389		1	Washer	
27	909390		1	Pin	
28	909391		1	Link	
29	909392		1	Pin	
30	909393		1	Spring	
31	936549		1	Lever	
32	908377		2	Spring support	
33	908378		2	Washer	
34	909398		2	Seal lock nut	
35	936550		1	Cover	
36	936551		1	O-ring	
37	936552		2	Guide post	
38	936553		6	Screw	
39	902928		1	Plug	
40	901453		1	.O-ring	
41	936554		1	Guide assy, 1pair	
42	908352		2	Spring	
43	937814		2	Spring	
44	937815		1	Servo piston, cpl	
45	936555		2	O-ring	
46	936556		2	Seal ring	
47	909407		1	Guide	
48	903580		1	Servo	
49	903580		1	Servo	
50	936557		2	O-ring	
51	936558		2	O-ring	
52	936559		3	Screw	
53	936559		3	Screw	
54	937816		1	End cap, cpl	
55	936561		1	Gasket	
56	358388		3	Plug	
57	923087		3	.O-ring	D
58	908432		1	Plug	
59	923087		1	.O-ring	D
60	908432		1	Plug	

359142 Hydraulic pump, propulsion

16840



359142 Hydraulic pump, propulsion

Ref. No.	Part No.	Rem.	Qty	Description	Code
61	923087		1	.O-ring	D
62	936562		2	Screw	
63	936565		1	Spacer	
64	935857		1	Retaining plate	
65	936566		6	Screw	
66	936567		1	Plug, cpl	
67	936568		1	.O-ring	
68	909648		1	Cover, cpl	
69	937150		1	.O-ring	
70	937817		4	Screw	
71	936583		1	Pressure relief valve, cpl	
72	903574	A	1	.Screw	
73	813618		1	.O-ring	D
74	901463		1	.Spring	D
75	901464		1	.Valve cone	D
76	902959		1	.Nut	
77	901465		1	Bearing	
78	901466		1	Shaft	
79	901467		1	Ring	
80	903575		1	Seal carrier	
81	935632		1	Seal	D
82	935633		1	O-ring	D
83	935634		1	Retainer plate	
84	908773		3	Screw	
85	936288		1	Control valve, cpl	
86	936576		1	.Gasket	
87	936577		1	.Solenoid valve, cpl	
	909641		1	..Solenoid valve	D
	909642		1	..Solenoid	D
	909643		1	..Seal kit	
88	909428		1	.Washer	
89	909429		1	.Nut	
90	909430		1	.Gasket	
91	909431		2	.Screw	
92	909432		1	.Control lever	
93	909433		1	.O-ring	
94	909434		6	.Screw	
95	909367		1	.Neutral start switch	D
96	212339		2	Valve	
97	813611		2	.O-ring	
98	936579		2	.O-ring	
99	901475		2	Valve	D
100	909349		2	O-ring	
101	901476		2	Plug	D
102	909435		1	Orifice	
103	909436		1	Spring	
104	908448		1	Spring retainer	
105	908439		1	Orifice 0.8M6x8	D
106	908439		1	Orifice 0.8M6x8	D
107	936580		1	Link	
108	935605		1	Seal kit	

A) Not sold separately. Replaced by PN 936583.

Propulsion system, motors

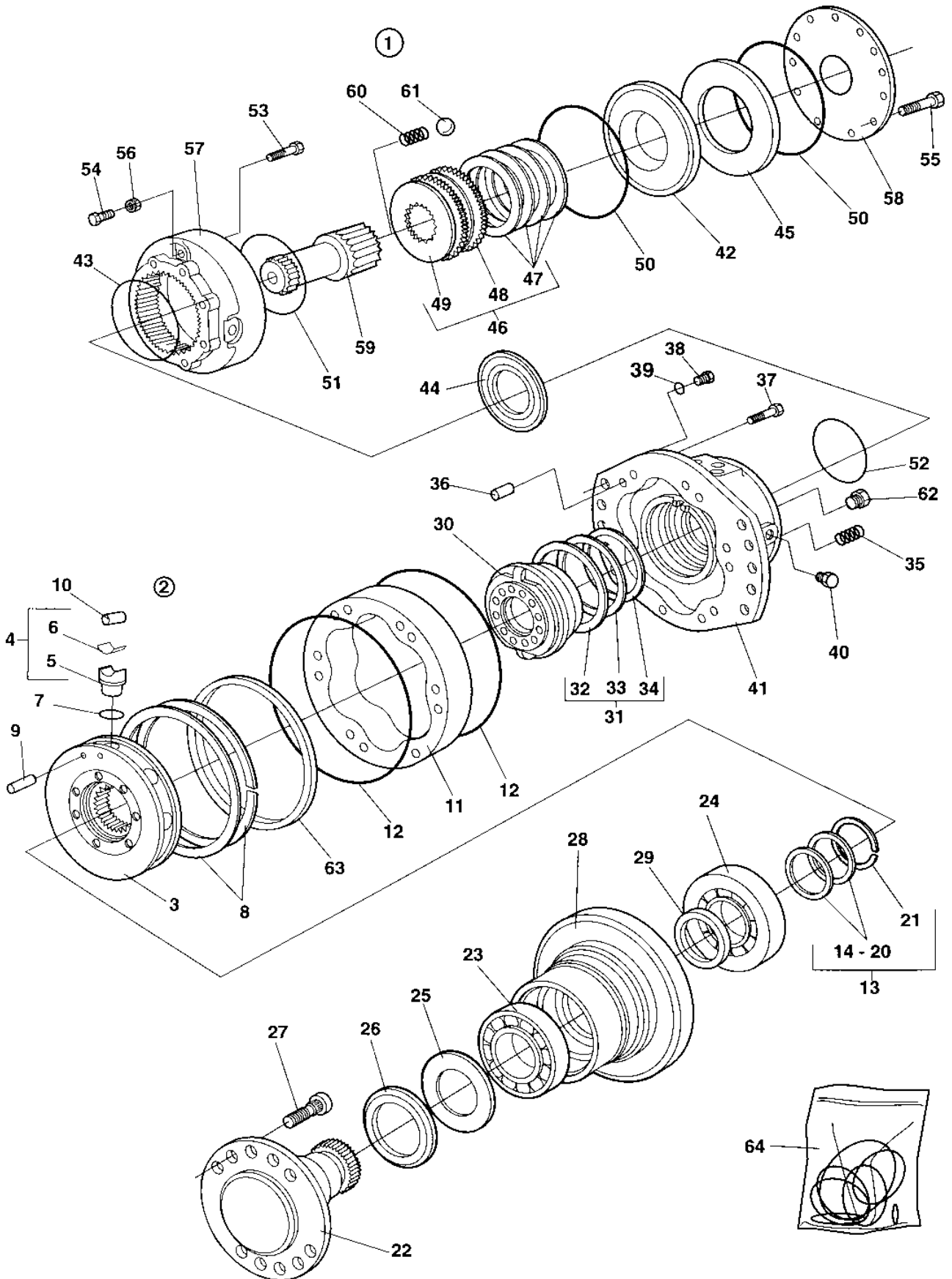
Ref. No.	Part No.	Rem.	Qty	Description	Code
2	923384		8	Flange half	
5		A	1	Hydraulic hose	
7	334121		2	Straight connector	
8		A	1	Hydraulic hose	
9		A	1	Hydraulic hose	
10	359143		1	Hydraulic motor, propulsion, front	Up to 62910562 (Page 104) C
	374481		1	Hydraulic motor, propulsion, front	From 62910563 Up to 62910564 (Page 108)
	359143		1	Hydraulic motor, propulsion, front	From 62910565 (Page 104) C
11		A	1	Hydraulic hose	C
15	904005		4	O-ring	
20	502132		16	Screw UNC 7/16" x 22	
21	904638		16	Washer 12x22x2	
25		B	20	Screw	
26		B	20	Screw	
27		B	20	Nut	
28		B	20	Nut	
34	359144		1	Hydraulic motor, propulsion, rear	Up to 62910562 (Page 116) C
	374482		1	Hydraulic motor, propulsion, rear	From 62910563 Up to 62910564 (Page 120)
	359144		1	Hydraulic motor, propulsion, rear	From 62910565 (Page 116) C
36	343872		3	Hose clamp	D
37	343732		1	Hose clamp	
38	335914		2	Cover plate	
39	904056		2	Stud	
40	904230		12	Washer 10,5x22x2	
41	903524		2	Bolt	
42	570006		4	Nut M10	
43	370915		2	Hose clamp	
44	370916		2	Hose clamp	
45	513014		1	Screw	
49	500028		8	Screw M10-1,5x25 8,8	
61		B	20	Washer	
62	372112		1	Holder plate	
63	374763		1	Hose clamp	
68	370989		1	Bracket	
69	370990		1	Bracket	
70	370991		1	Holder plate	
71	370992		1	Bracket	
72	904232		2	Washer 17x30x3	
73	586021		1	Nut M16	
74	500053		8	Screw M8-1,25x20 8,8	
75	904231		1	Washer 13x24x2	
76	586019		1	Lock nut M12	
77	929863		1	Grease nipple	D
78	359563		1	Hose shields	
79	370641		1	Hose shields	
80	313102		N	Cable ties	
84		A	1	Washer	
85	904229		8	Washer 8,4x16x1,5	

A) See Propulsion system, pump

B) See group 20

359143 Hydraulic motor, propulsion, front

17054



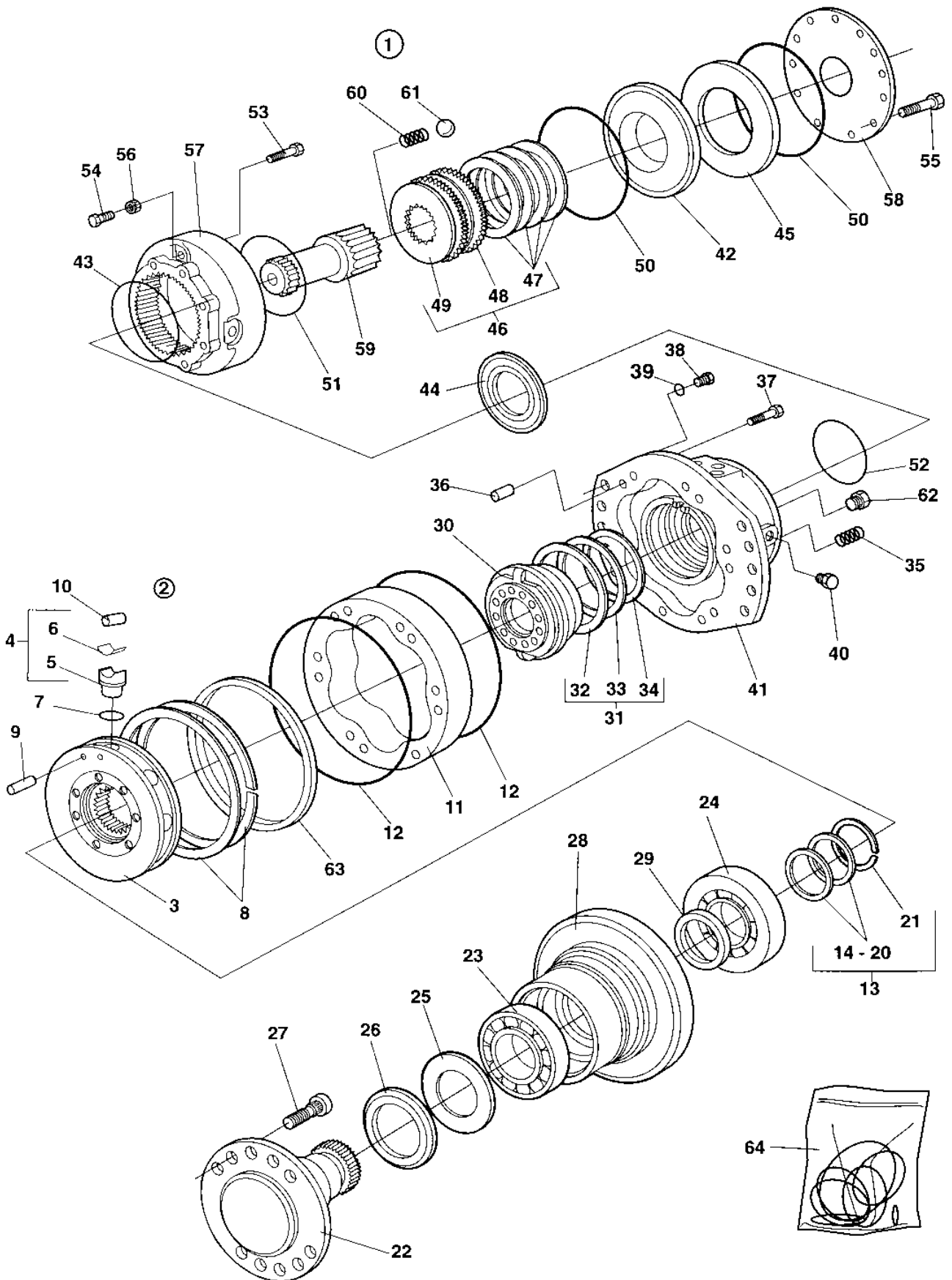
359143 Hydraulic motor, propulsion, front

Ref. No.	Part No.	Rem.	Qty	Description	Code
2	935887		1	Cylinder block, cpl	
3	935888		1	.Cylinder block	
4	935891		8	.Piston assembly	
5	935889		8	..Piston	
6	935890		8	..Bearing bush	
7	935892		8	.Piston ring	
8	935893		2	.Guide ring	
9	935894		8	.Pin	
10	935895		8	.Roller	
11	935896		1	Cam ring	
12	935897	B	2	O-ring	
13	935898		1	Shim kit	
14			1	.Shim ring	
15			1	.Shim ring	
16			1	.Shim ring	
17			1	.Shim ring	
18			1	.Shim ring	
19			1	.Shim ring	
20			1	.Supporting plate	
21	935906		1	.Retaining ring	
22	935907		1	Shaft	
23	935908		1	Bearing	
24	935909		1	Bearing	
25	935910	B	1	Sealing	
26	935911	B	1	V-ring	
27	935912		10	Wheel stud	
28	935913		1	Housing	
29	935914	B	1	Shaft seal	
30	935915		1	Distributor	
31	935916	B	1	Seal kit	
32			1	.Sealing ring	
33			1	.Sealing ring	
34			1	.Sealing ring	
35	935920		8	Spring	
36	935921		1	Pin	
37	935922		12	Screw	
38	908834		2	Screw	
39	908835	B	2	Sealing ring	
40	908890		1	Plug	
41	935923		1	Housing-distributor	
42	935924		1	Piston	
43	935925	B	1	O-ring	
44	935926		1	Ring	
45	935927		1	Cup spring	
46	935928		1	Disc set w. shims	
47	935929		4	.Shim ring	
48			18	.Disc, outer	
49			17	.Disc, inner	
50	935930	B	2	O-ring	
51	935931	B	1	O-ring	
52	935932		1	Bushing	
53	935933		12	Screw	
54	935934		2	Screw	
55	902962		12	Screw	
56	909525		2	Nut	
57	935935		1	Brake housing	
58	935936		1	Cover	
59	935937		1	Shaft	
60	935920		1	Spring	
61	935938		1	Ball	

B) Include in kit 64

359143 Hydraulic motor, propulsion, front

17054

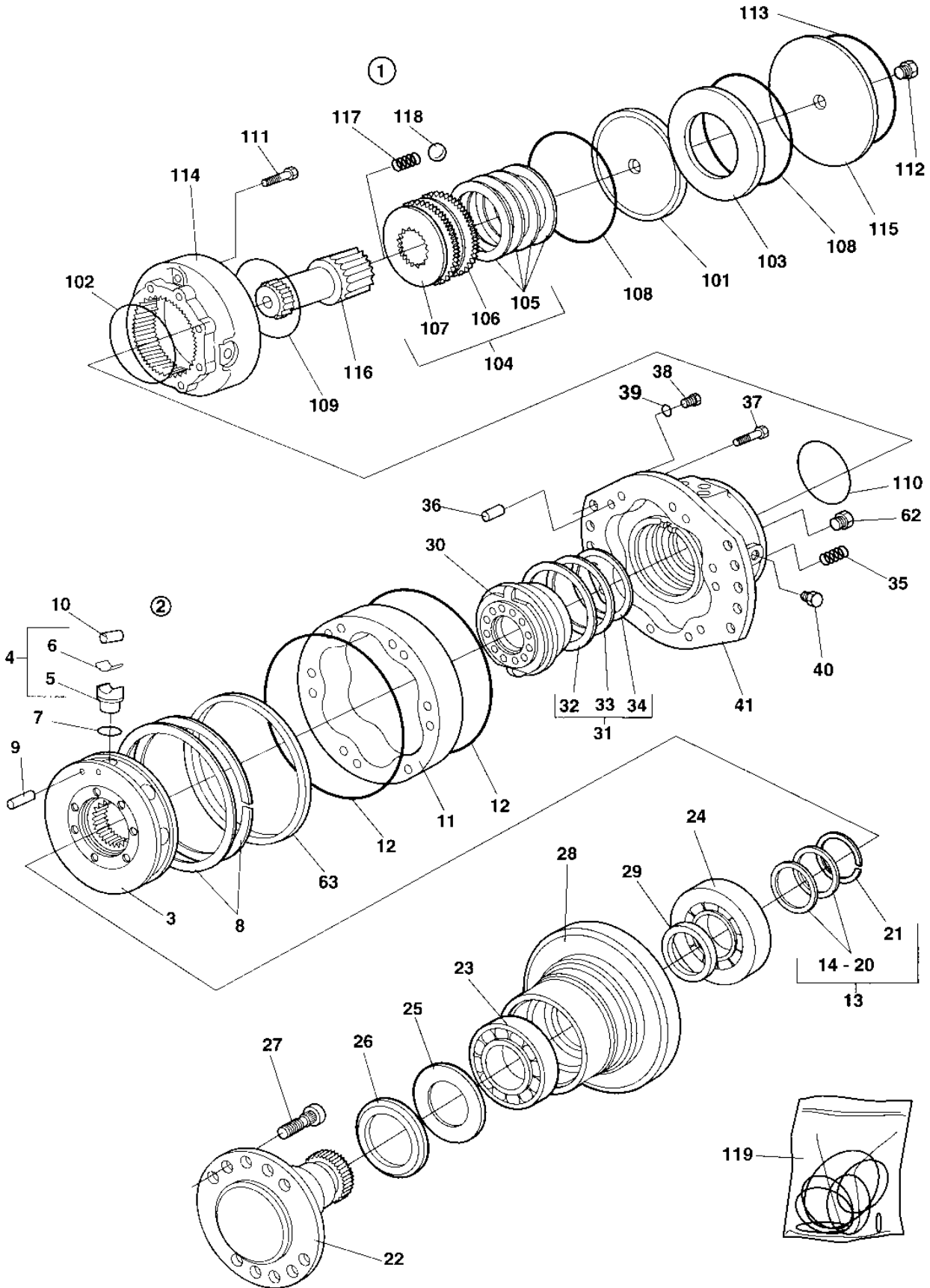


359143 Hydraulic motor, propulsion, front

Ref. No.	Part No.	Rem.	Qty	Description	Code
62	908854		1	Plug	
63	935941		1	Ring	
64	935944		1	Seal kit	

374481 Hydraulic motor, propulsion, front

17075



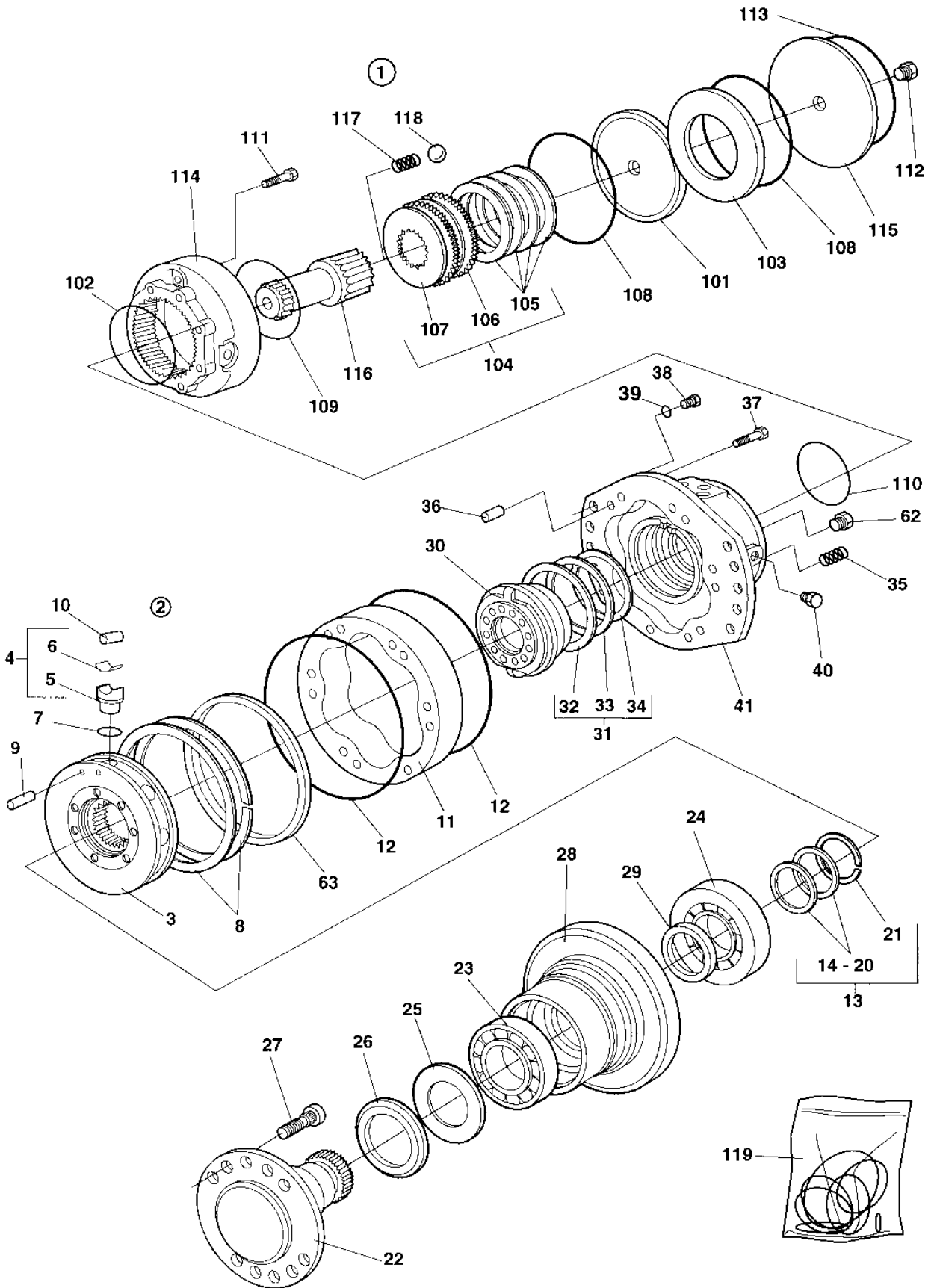
374481 Hydraulic motor, propulsion, front

Ref. No.	Part No.	Rem.	Qty	Description	Code
2	935955		1	Cylinder block, cpl	
3	935956		1	.Cylinder block	
4	935891		8	.Piston assembly	
5	935889		8	..Piston	
6	935890		8	..Bearing bush	
7	935892		8	.Piston ring	
8	935893		2	.Guide ring	
9	935894		8	.Pin	
10	935895		8	.Roller	
11	935896		1	Cam ring	
12	935897	C	2	O-ring	
13	935898		1	Shim kit	
14			1	Shim ring	
15			1	.Shim ring	
16			1	.Shim ring	
17			1	.Shim ring	
18			1	.Shim ring	
19			1	.Shim ring	
20			1	.Supporting plate	
21	935906		1	.Retaining ring	
22	935957		1	Shaft	
23	935908		1	Bearing	
24	935909		1	Bearing	
25	935910	C	1	Sealing	
26	935968	C	1	Sealing	
27	935912		10	Wheel stud	
28	935958		1	Housing	
29	935914	C	1	Shaft seal	
30	935959		1	Distributor	
31	935916	C	1	Seal kit	
32			1	.Sealing ring	
33			1	.Sealing ring	
34			1	.Sealing ring	
35	935920		8	Spring	
36	908832		1	Pin	
37	935922		12	Screw	
38	908834		2	Screw	
39	908835	C	2	Sealing ring	
40	908890		1	Plug	
41	935960		1	Housing-distributor	
62	908854		1	Plug	
63	935941		1	Ring	
101	935961		1	Brake piston	
102	935925	C	1	O-ring	
103	935927		1	Cup spring	
104	935928		1	Disc set w. shims	
105	935929		4	.Shim ring	
106			18	.Disc, outer	
107			17	.Disc, inner	
108	935962	C	2	O-ring	
109	935931	C	1	O-ring	
110	935932		1	Bushing	
111	902944		16	Screw	
112	935963		1	Plug	
113	935964		1	Retaining ring	
114	935965		1	Brake housing	
115	935966		1	Cover	
116	935967		1	Shaft	
117	908888		1	Compression spring	
118	908909		1	Ball	

C) Included in kit 119

374481 Hydraulic motor, propulsion, front

17075

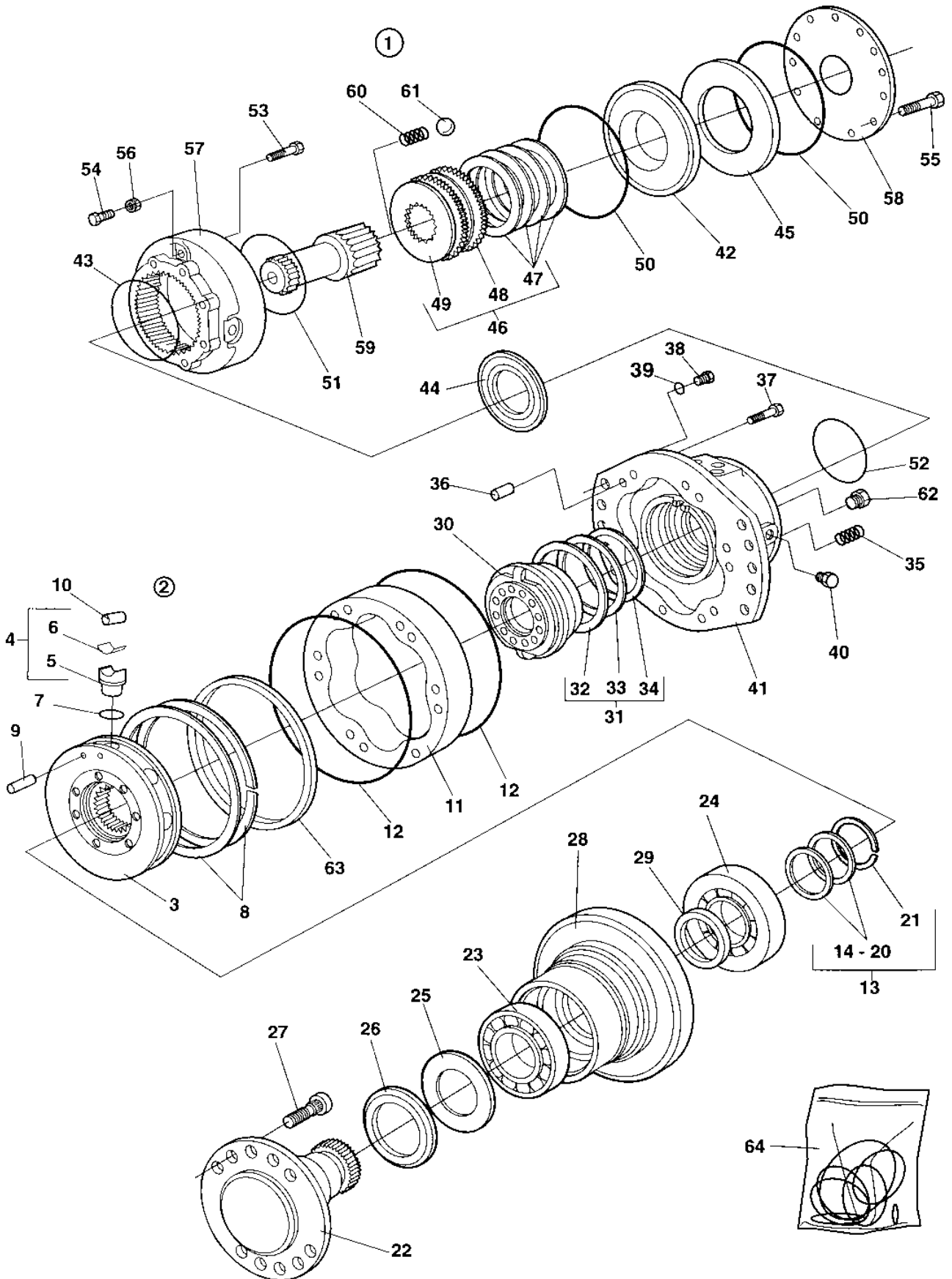


374481 Hydraulic motor, propulsion, front

Ref. No.	Part No.	Rem.	Qty	Description	Code
119	935945		1	Seal kit	

359143 Hydraulic motor, propulsion, front

17054



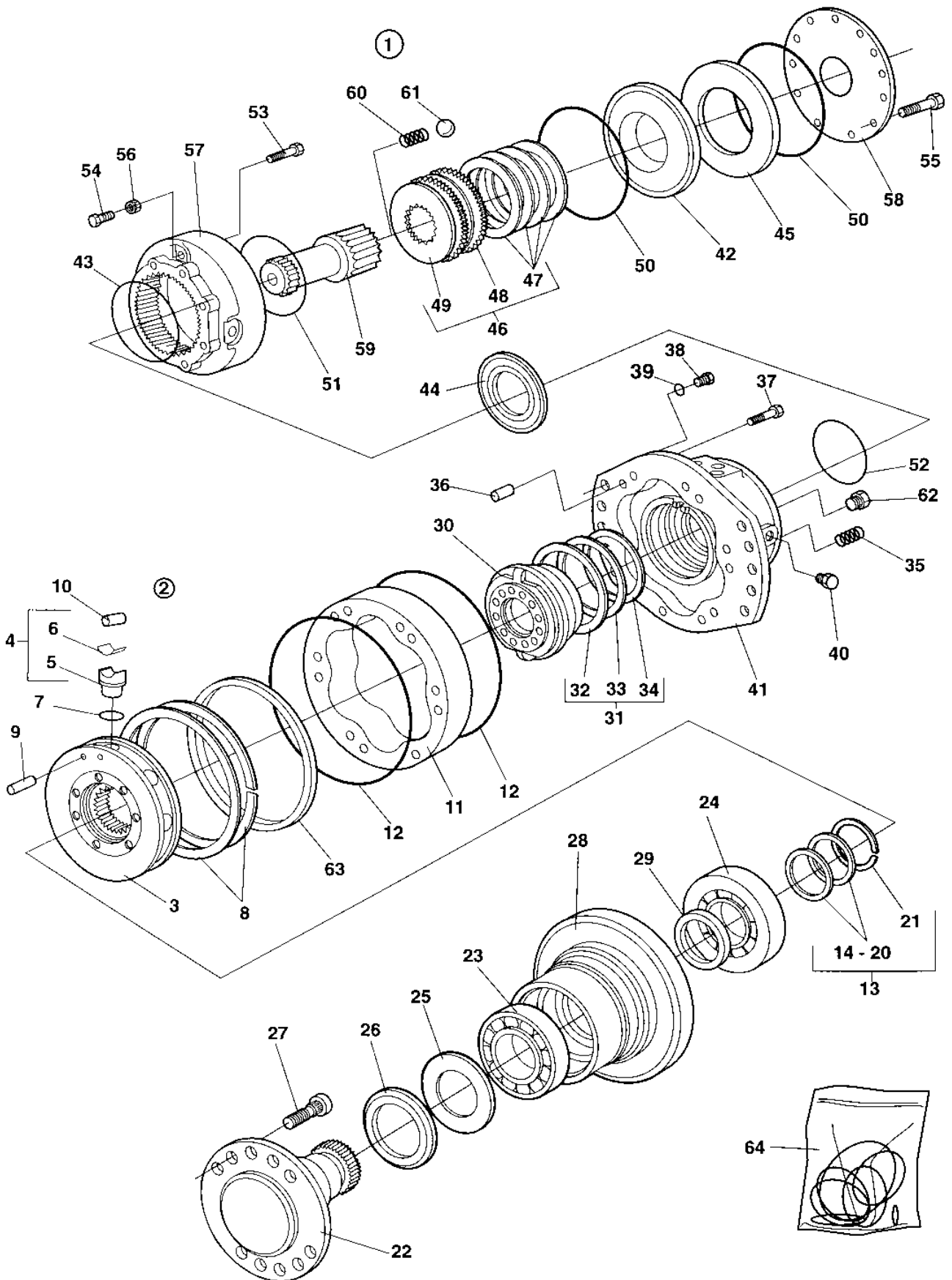
359143 Hydraulic motor, propulsion, front

Ref. No.	Part No.	Rem.	Qty	Description	Code
2	935887		1	Cylinder block, cpl	
3	935888		1	.Cylinder block	
4	935891		8	.Piston assembly	
5	935889		8	..Piston	
6	935890		8	..Bearing bush	
7	935892		8	.Piston ring	
8	935893		2	.Guide ring	
9	935894		8	.Pin	
10	935895		8	.Roller	
11	935896		1	Cam ring	
12	935897	B	2	O-ring	
13	935898		1	Shim kit	
14			1	.Shim ring	
15			1	.Shim ring	
16			1	.Shim ring	
17			1	.Shim ring	
18			1	.Shim ring	
19			1	.Shim ring	
20			1	.Supporting plate	
21	935906		1	.Retaining ring	
22	935907		1	Shaft	
23	935908		1	Bearing	
24	935909		1	Bearing	
25	935910	B	1	Sealing	
26	935911	B	1	V-ring	
27	935912		10	Wheel stud	
28	935913		1	Housing	
29	935914	B	1	Shaft seal	
30	935915		1	Distributor	
31	935916	B	1	Seal kit	
32			1	.Sealing ring	
33			1	.Sealing ring	
34			1	.Sealing ring	
35	935920		8	Spring	
36	935921		1	Pin	
37	935922		12	Screw	
38	908834		2	Screw	
39	908835	B	2	Sealing ring	
40	908890		1	Plug	
41	935923		1	Housing-distributor	
42	935924		1	Piston	
43	935925	B	1	O-ring	
44	935926		1	Ring	
45	935927		1	Cup spring	
46	935928		1	Disc set w. shims	
47	935929		4	.Shim ring	
48			18	.Disc, outer	
49			17	.Disc, inner	
50	935930	B	2	O-ring	
51	935931	B	1	O-ring	
52	935932		1	Bushing	
53	935933		12	Screw	
54	935934		2	Screw	
55	902962		12	Screw	
56	909525		2	Nut	
57	935935		1	Brake housing	
58	935936		1	Cover	
59	935937		1	Shaft	
60	935920		1	Spring	
61	935938		1	Ball	

B) Include in kit 64

359143 Hydraulic motor, propulsion, front

17054

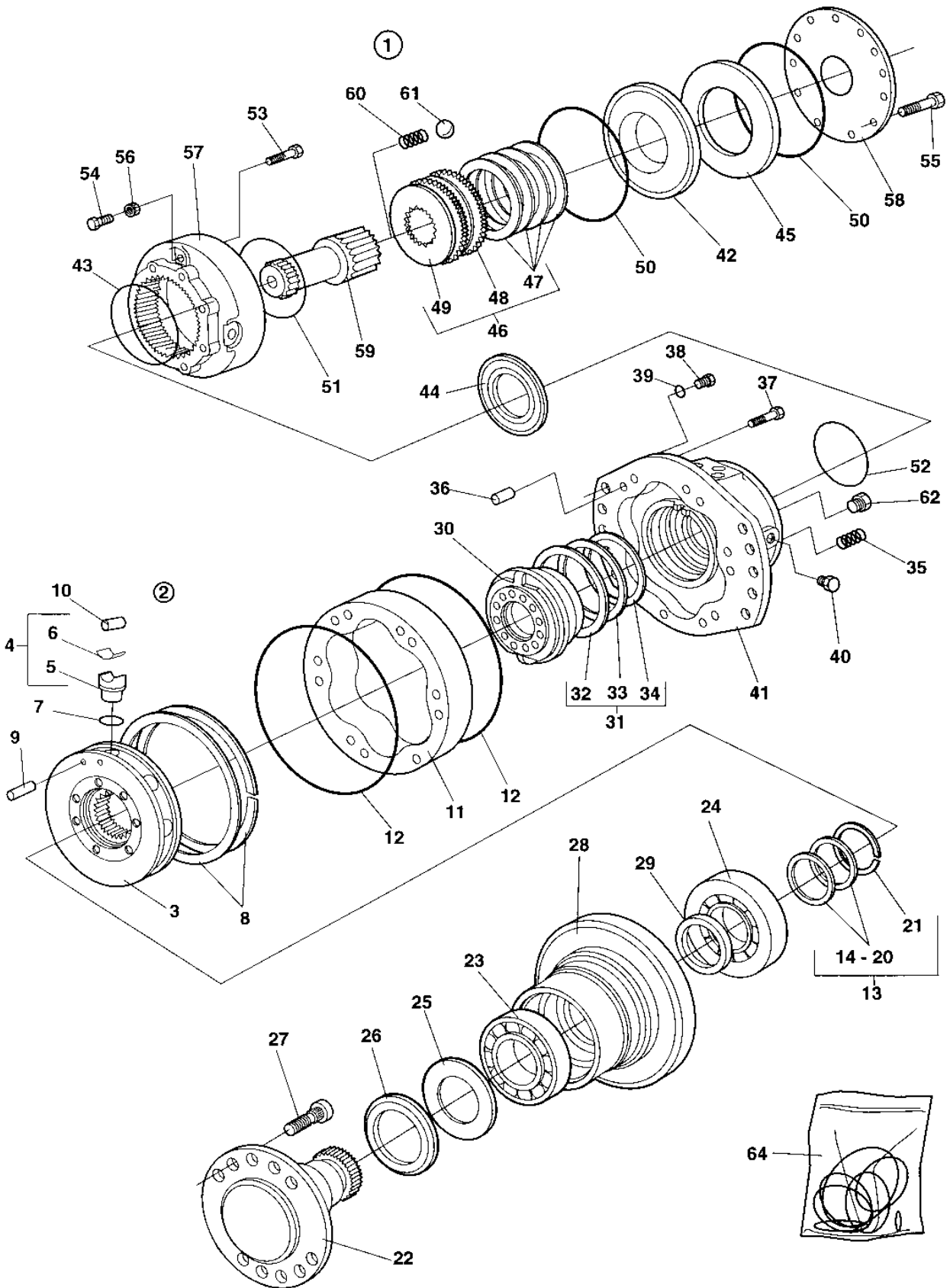


359143 Hydraulic motor, propulsion, front

Ref. No.	Part No.	Rem.	Qty	Description	Code
62	908854		1	Plug	
63	935941		1	Ring	
64	935944		1	Seal kit	

359144 Hydraulic motor, propulsion, rear

17055



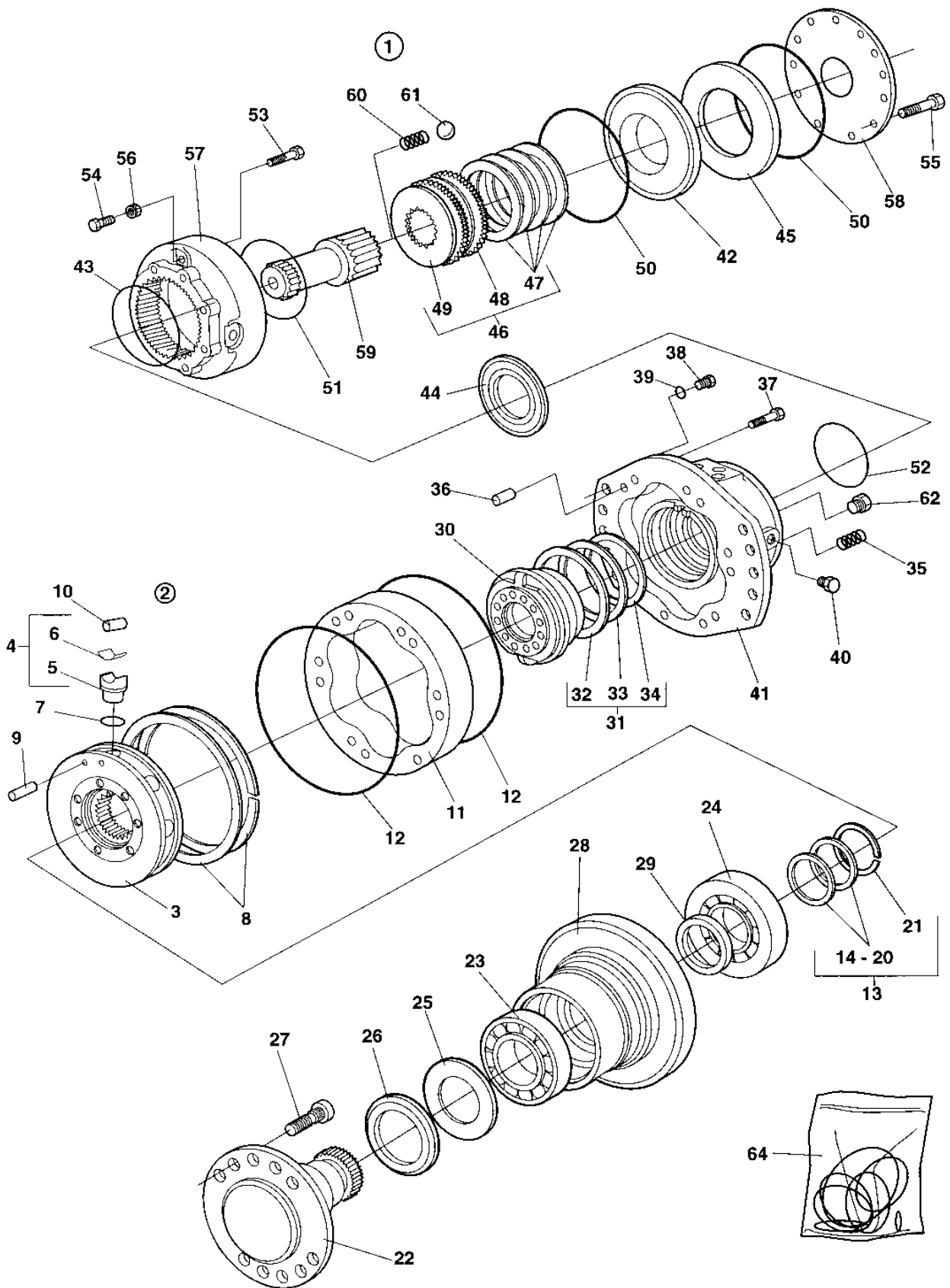
359144 Hydraulic motor, propulsion, rear

Ref. No.	Part No.	Rem.	Qty	Description	Code
2	935887		1	Cylinder block, cpl	
3	935888		1	.Cylinder block	
4	935891		8	.Piston assembly	
5	935889		8	..Piston	
6	935890		8	..Bearing bush	
7	935892		8	.Piston ring	
8	935893		2	.Guide ring	
9	935894		8	.Pin	
10	935895		8	.Roller	
11	935896		1	Cam ring	
12	935897	B	2	O-ring	
13	935898		1	Shim kit	
14			1	Shim ring	
15			1	.Shim ring	
16			1	.Shim ring	
17			1	.Shim ring	
18			1	.Shim ring	
19			1	.Shim ring	
20			1	.Supporting plate	
21	935906		1	.Retaining ring	
22	935907		1	Shaft	
23	935908		1	Bearing	
24	935909		1	Bearing	
25	935910	B	1	Sealing	
26	935911	B	1	V-ring	
27	935912		10	Wheel stud	
28	935913		1	Housing	
29	935914	B	1	Shaft seal	
30	935915		1	Distributor	
31	935916	B	1	Seal kit	
32			1	.Sealing ring	
33			1	.Sealing ring	
34			1	.Sealing ring	
35	935920		8	Spring	
36	935921		1	Pin	
37	935922		12	Screw	
38	908834		2	Screw	
39	908835	B	2	Sealing ring	
40	908890		1	Plug	
41	935923		1	Housing-distributor	
42	935924		1	Piston	
43	935925	B	1	O-ring	
44	935926		1	Ring	
45	935927		1	Cup spring	
46	935928		1	Disc set w. shims	
47	935929		4	.Shim ring	
48			18	.Disc, outer	
49			17	.Disc, inner	
50	935930	B	2	O-ring	
51	935931	B	1	O-ring	
52	935932		1	Bushing	
53	935933		12	Screw	
54	935934		2	Screw	
55	902962		12	Screw	
56	909525		2	Nut	
57	935935		1	Brake housing	
58	935936		1	Cover	
59	935937		1	Shaft	
60	935920		1	Spring	
61	935938		1	Ball	

B) Include in kit 64

359144 Hydraulic motor, propulsion, rear

17055

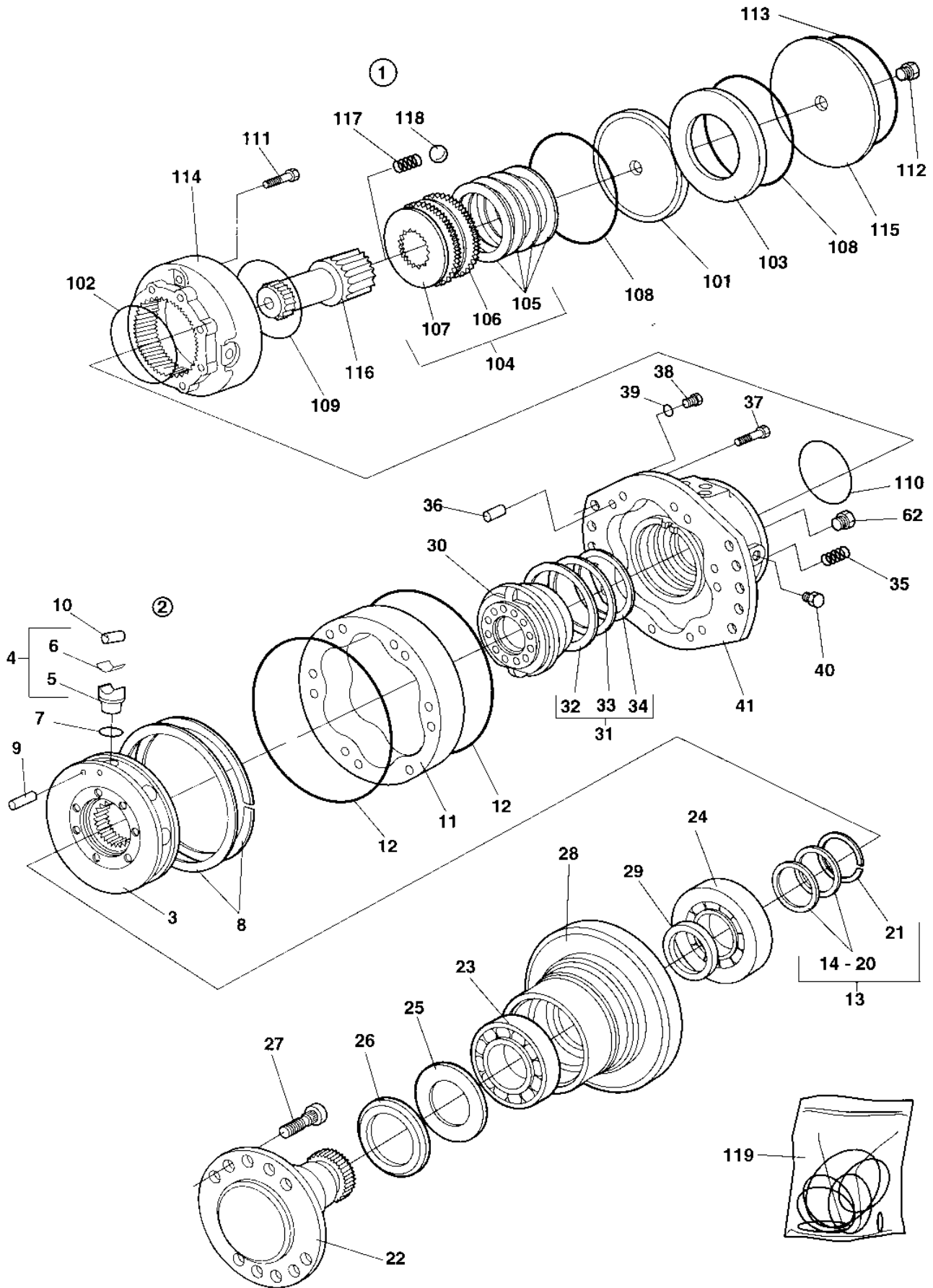


359144 Hydraulic motor, propulsion, rear

Ref. No.	Part No.	Rem.	Qty	Description	Code
62	908854		1	Plug	
64	935944		1	Seal kit	

374482 Hydraulic motor, propulsion, rear

17079



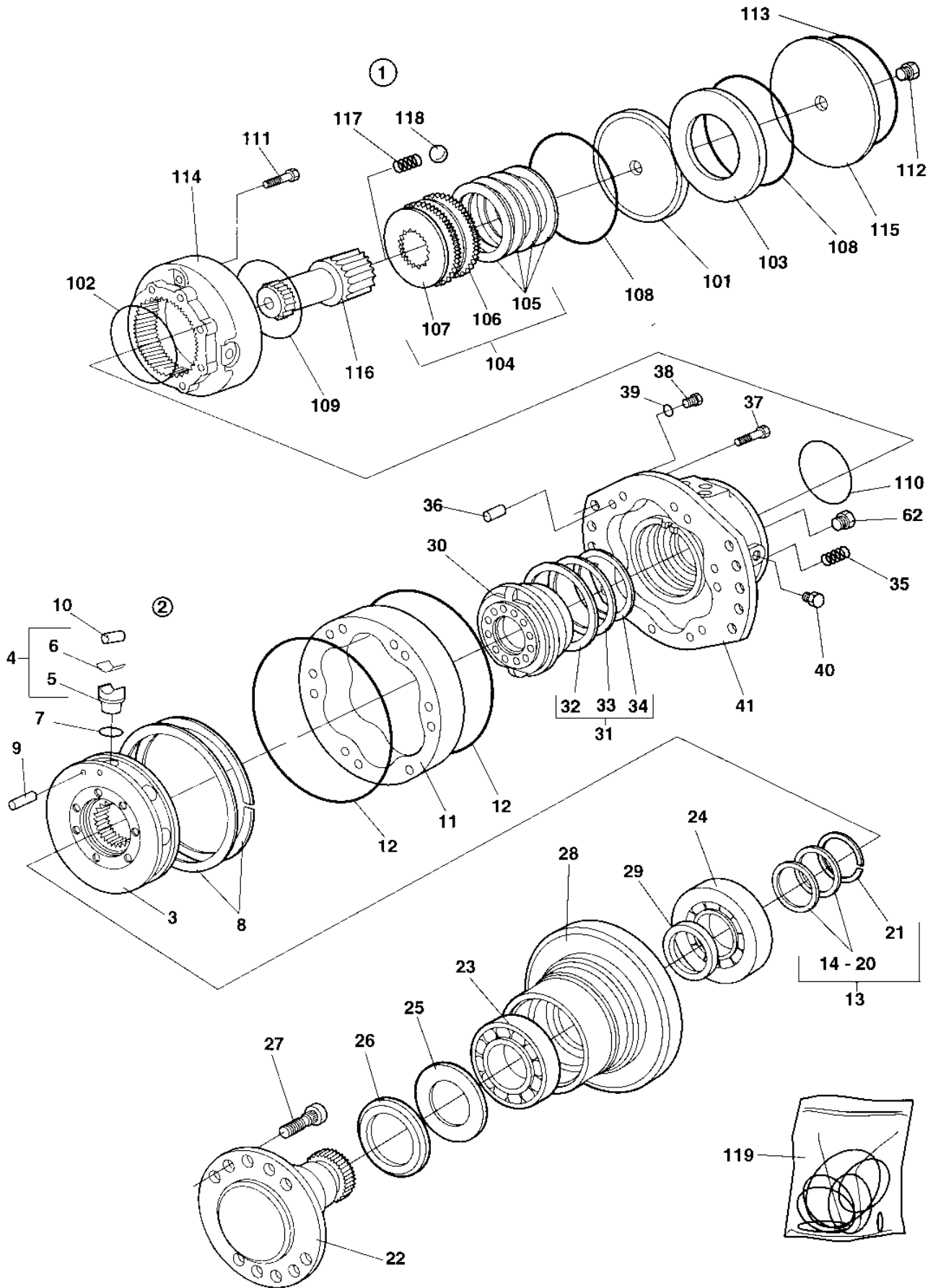
374482 Hydraulic motor, propulsion, rear

Ref. No.	Part No.	Rem.	Qty	Description	Code
1			1	Hydraulic motor, Cpl	
2	935955		1	Cylinder block, cpl	
3	935956		1	.Cylinder block	
4	935891		8	.Piston assembly	
5	935889		8	..Piston	
6	935890		8	..Bearing bush	
7	935892		8	.Piston ring	
8	935893		2	.Guide ring	
9	935894		8	.Pin	
10	935895		8	.Roller	
11	935896		1	Cam ring	
12	935897	C	2	O-ring	
13	935898		1	Shim kit	
14			1	Shim ring	
15			1	.Shim ring	
16			1	.Shim ring	
17			1	.Shim ring	
18			1	.Shim ring	
19			1	.Shim ring	
20			1	.Supporting plate	
21	935906		1	.Retaining ring	
22	935957		1	Shaft	
23	935908		1	Bearing	
24	935909		1	Bearing	
25	935910	C	1	Sealing	
26	935968	C	1	Sealing	
27	935912		10	Wheel stud	
28	935958		1	Housing	
29	935914	C	1	Shaft seal	
30	935959		1	Distributor	
31	935916	C	1	Seal kit	
32			1	.Sealing ring	
33			1	.Sealing ring	
34			1	.Sealing ring	
35	935920		8	Spring	
36	908832		1	Pin	
37	935922		12	Screw	
38	908834		2	Screw	
39	908835	C	2	Sealing ring	
40	908890		1	Plug	
41	935960		1	Housing-distributor	
62	908854		1	Plug	
101	935961		1	Brake piston	
102	935925	C	1	O-ring	
103	935927		1	Cup spring	
104	935928		1	Disc set w. shims	
105	935929		4	Shim ring	
106			18	.Disc, outer	
107			17	.Disc, inner	
108	935962	C	2	O-ring	
109	935931	C	1	O-ring	
110	935932		1	Bushing	
111	902944		16	Screw	
112	935963		1	Plug	
113	935964		1	Retaining ring	
114	935965		1	Brake housing	
115	935966		1	Cover	
116	935967		1	Shaft	
117	908888		1	Compression spring	
118	908909		1	Ball	

C) Included in kit 119

374482 Hydraulic motor, propulsion, rear

17079

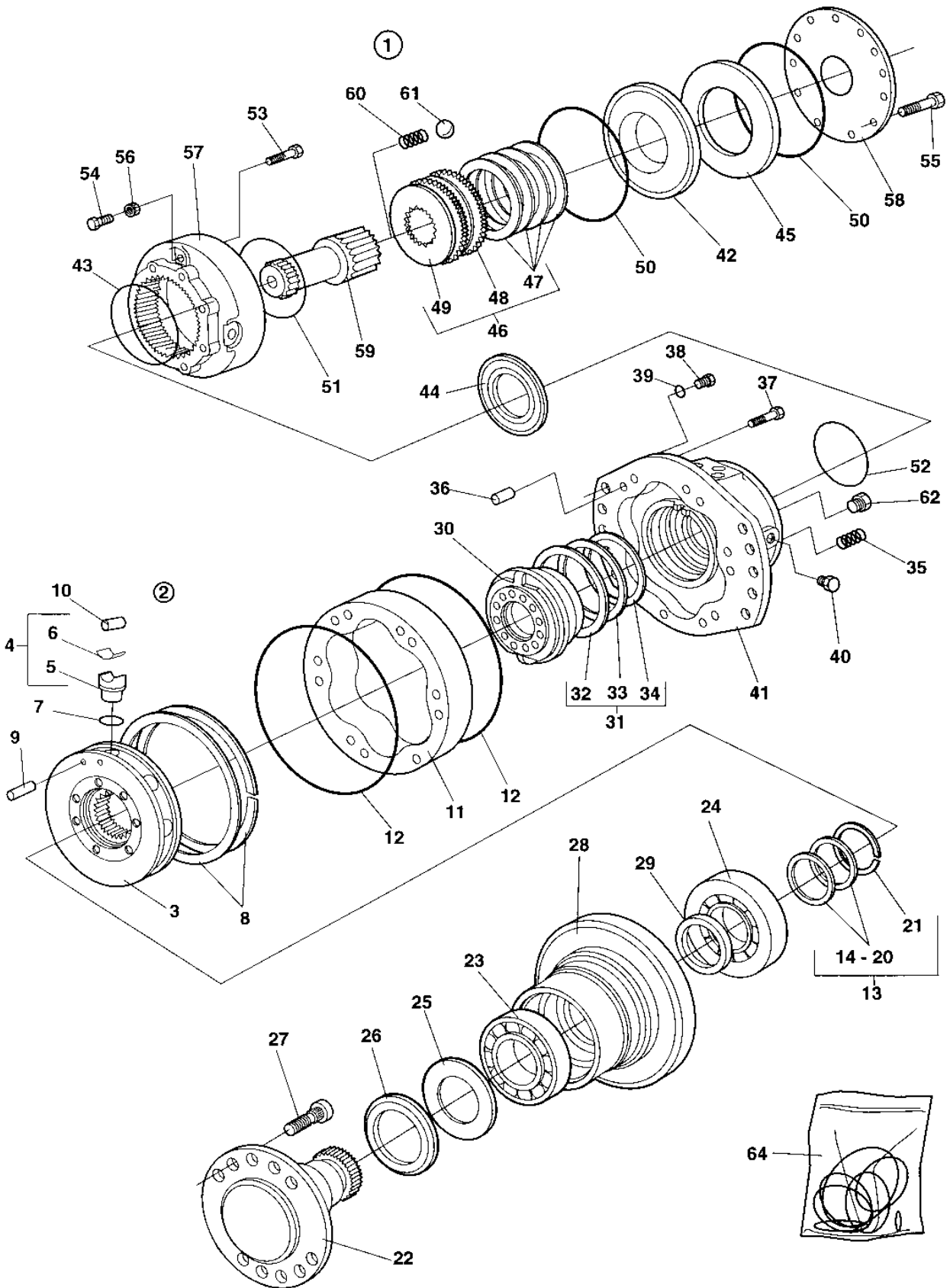


374482 Hydraulic motor, propulsion, rear

Ref. No.	Part No.	Rem.	Qty	Description	Code
119	935945		1	Seal kit	

359144 Hydraulic motor, propulsion, rear

17055



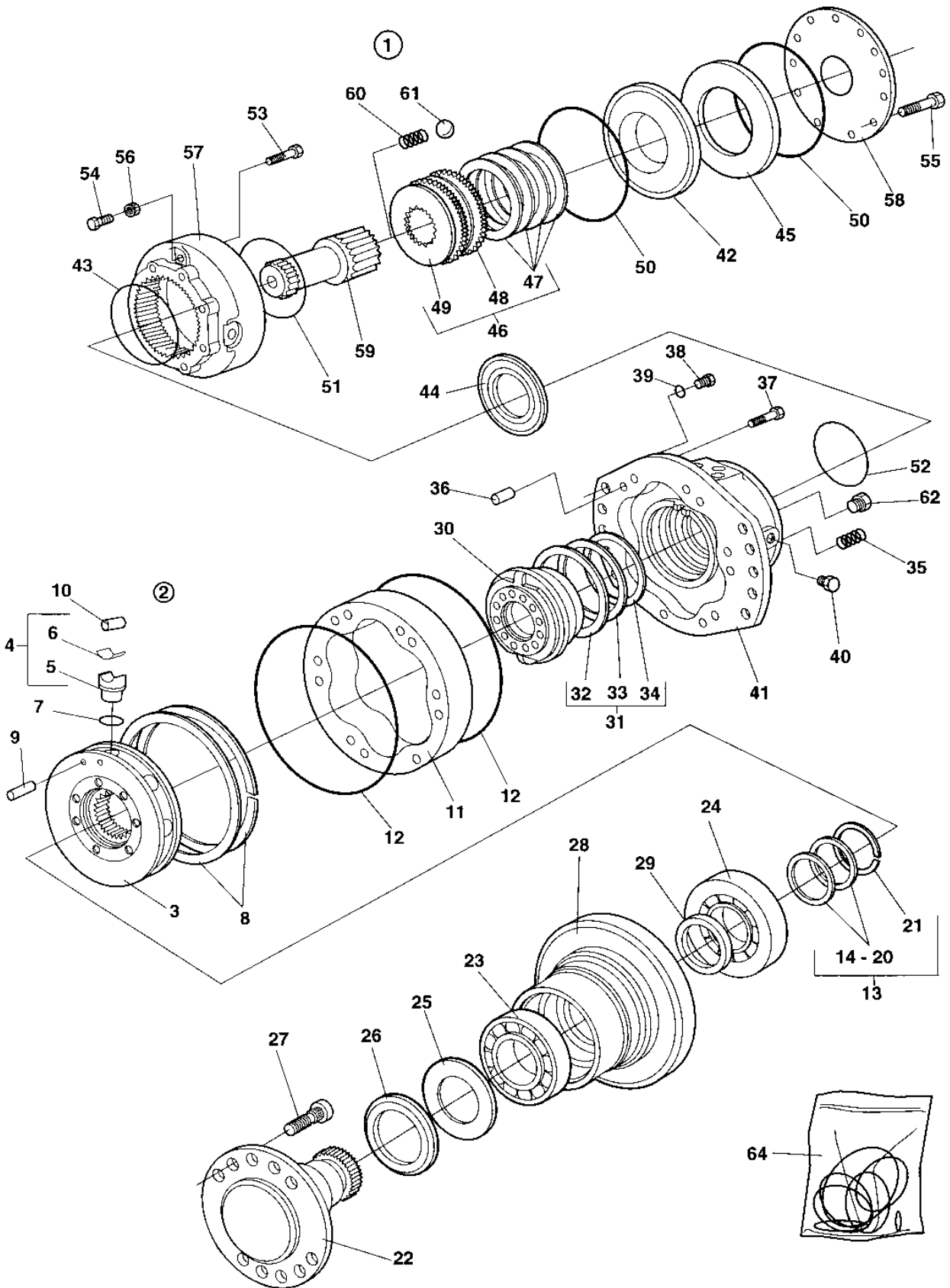
359144 Hydraulic motor, propulsion, rear

Ref. No.	Part No.	Rem.	Qty	Description	Code
2	935887		1	Cylinder block, cpl	
3	935888		1	.Cylinder block	
4	935891		8	.Piston assembly	
5	935889		8	..Piston	
6	935890		8	..Bearing bush	
7	935892		8	.Piston ring	
8	935893		2	.Guide ring	
9	935894		8	.Pin	
10	935895		8	.Roller	
11	935896		1	Cam ring	
12	935897	B	2	O-ring	
13	935898		1	Shim kit	
14			1	Shim ring	
15			1	.Shim ring	
16			1	.Shim ring	
17			1	.Shim ring	
18			1	.Shim ring	
19			1	.Shim ring	
20			1	.Supporting plate	
21	935906		1	.Retaining ring	
22	935907		1	Shaft	
23	935908		1	Bearing	
24	935909		1	Bearing	
25	935910	B	1	Sealing	
26	935911	B	1	V-ring	
27	935912		10	Wheel stud	
28	935913		1	Housing	
29	935914	B	1	Shaft seal	
30	935915		1	Distributor	
31	935916	B	1	Seal kit	
32			1	.Sealing ring	
33			1	.Sealing ring	
34			1	.Sealing ring	
35	935920		8	Spring	
36	935921		1	Pin	
37	935922		12	Screw	
38	908834		2	Screw	
39	908835	B	2	Sealing ring	
40	908890		1	Plug	
41	935923		1	Housing-distributor	
42	935924		1	Piston	
43	935925	B	1	O-ring	
44	935926		1	Ring	
45	935927		1	Cup spring	
46	935928		1	Disc set w. shims	
47	935929		4	.Shim ring	
48			18	.Disc, outer	
49			17	.Disc, inner	
50	935930	B	2	O-ring	
51	935931	B	1	O-ring	
52	935932		1	Bushing	
53	935933		12	Screw	
54	935934		2	Screw	
55	902962		12	Screw	
56	909525		2	Nut	
57	935935		1	Brake housing	
58	935936		1	Cover	
59	935937		1	Shaft	
60	935920		1	Spring	
61	935938		1	Ball	

B) Include in kit 64

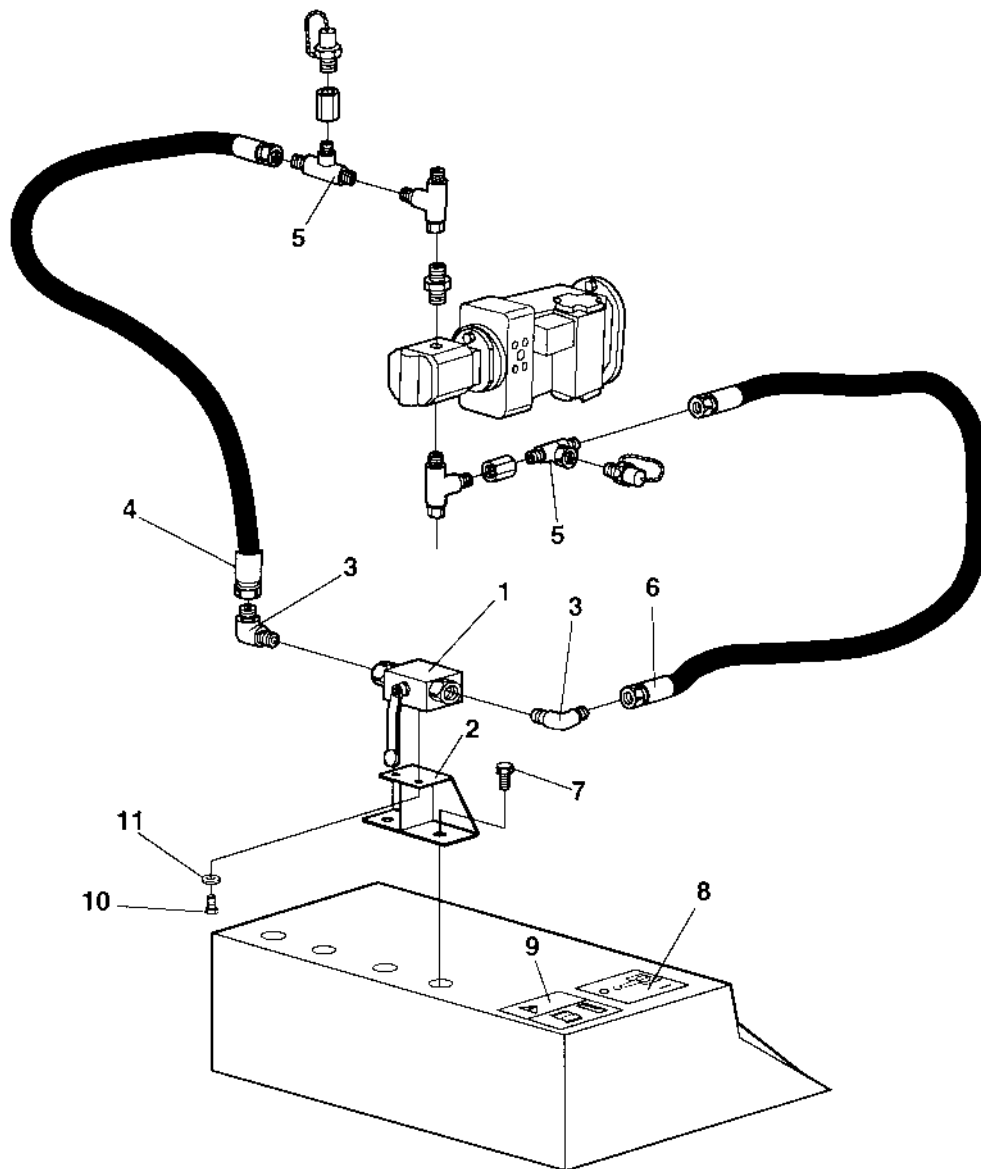
359144 Hydraulic motor, propulsion, rear

17055



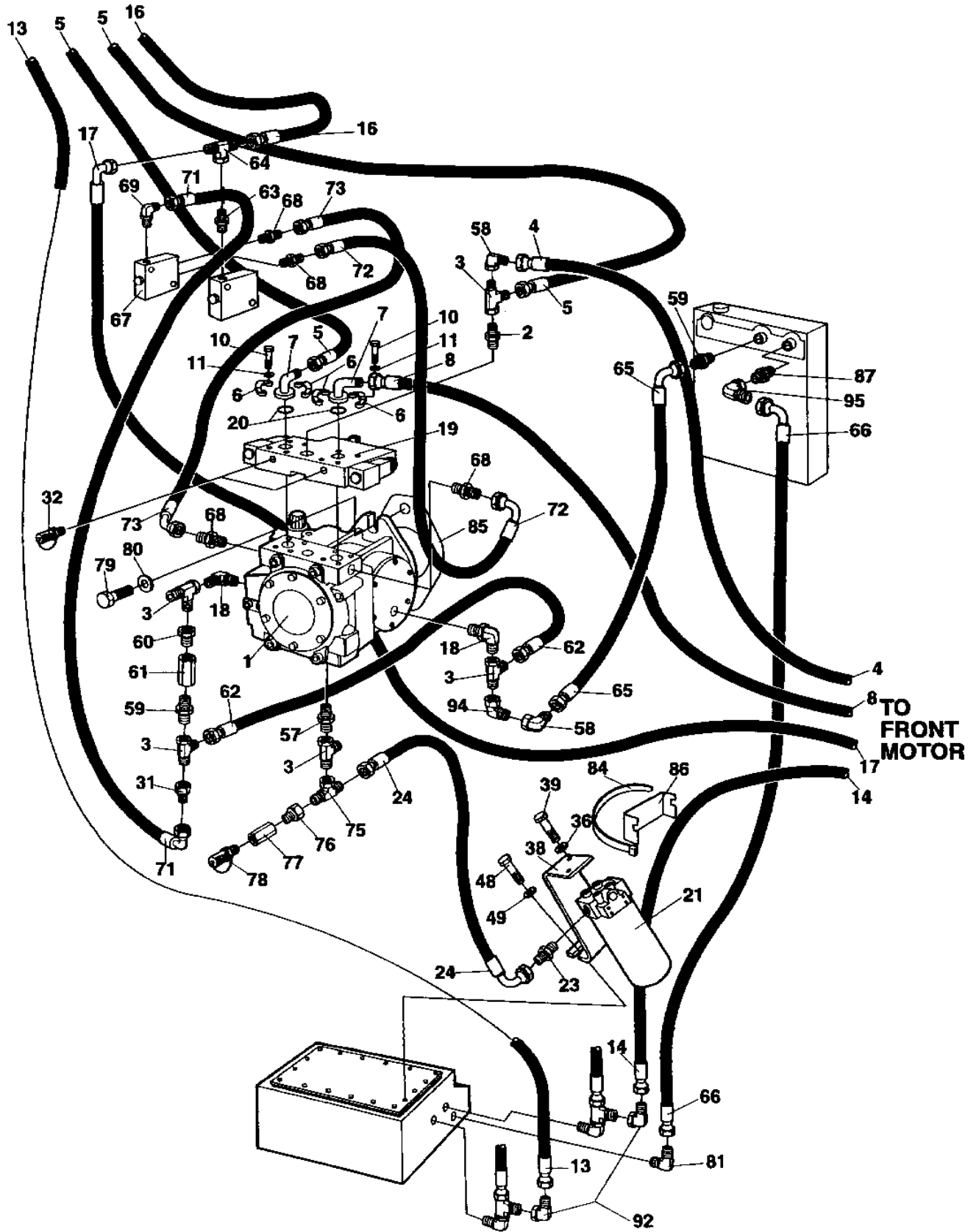
359144 Hydraulic motor, propulsion, rear

Ref. No.	Part No.	Rem.	Qty	Description	Code
62	908854		1	Plug	
64	935944		1	Seal kit	



Ref. No.	Part No.	Rem.	Qty	Description	Code
1	344138		1	Ball valve	
2	373920		1	Bracket	
3	234340		2	Elbow 90	
4	483195		1	Hydraulic hose	
5	334234		2	Tee-connector	
6	483235		1	Hydraulic hose	
7	500021		2	Screw M8-1,25x25 8,8	
8	374101		1	Decal "SHUT-OFF VALVE"	
9	903459		1	Decal "SAFETY"	
10	500004		2	Screw M5 0,8x12 8,8	
11	904281		2	Washer 5,3x10x1	

TO REAR MOTOR



TO FRONT MOTOR

Vibration system, pump

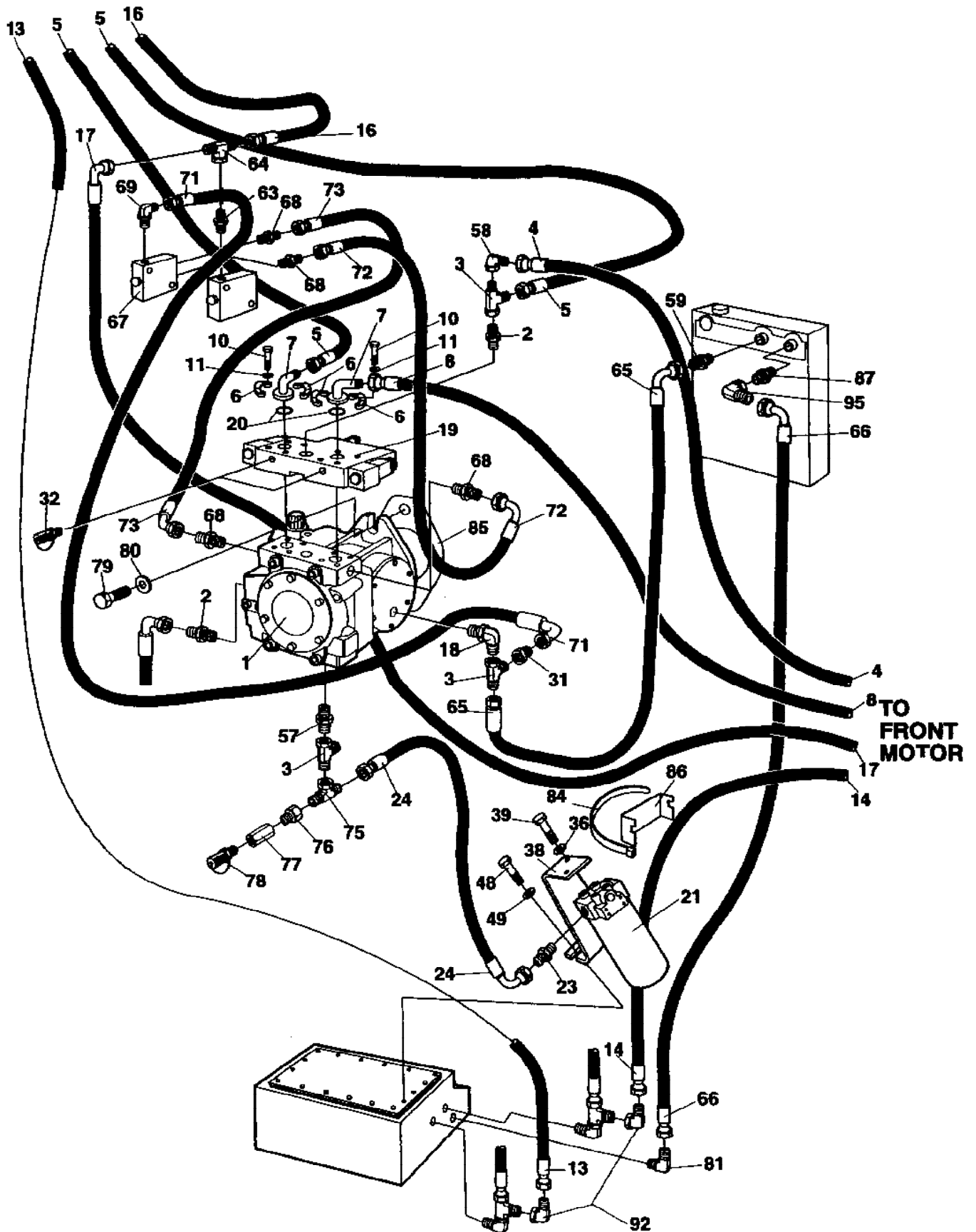
Ref. No.	Part No.	Rem.	Qty	Description	Code
1	359141		1	Hydraulic pump, vibration (Page 136)	C
2	334158		1	Adapter	
3	234243		5	T-connector	
4	483248		1	Hydraulic hose	
5	483008		2	Hydraulic hose	
6	929226		4	Flange half	
7	900455		2	Flange adapter	
8	482975		1	Hydraulic hose	
10	502047		8	Screw	
11	904637		8	Washer 10x18x2	
13	483063		1	Hydraulic hose	
14	483067		1	Hydraulic hose	
16	482716		1	Hydraulic hose	
17	483019		1	Hydraulic hose	
18	334604		2	Connector	
19	359140		1	Valve Vibration (Page 140)	C
20	904004		2	O-ring	D
21			1	Hydraulic oil filter	D
	359551		1	.Filter head	
	372229	A	1	.Filter element Hydraulic	A
	359552	B	1	.Filter element Hydraulic, maximum 50 hours	
23	334468		1	Adapter	
24	483071		1	Hydraulic hose	
31	929122		1	Reducing	
32	900229		2	Measuring nipple	D
36	904230		2	Washer 10,5x22x2	
38	359557		1	Holder plate	
39	500028		2	Screw M10-1,5x25 8,8	
48	500021		2	Screw M8-1,25x25 8,8	
49	603019		2	Washer	
57	334138		1	Adapter	
58	334155		2	Connector	
59	334156		2	Adapter	
60	330438		1	Straight connector	
61	903774		1	Check valve	
62	482750		1	Hydraulic hose	
63	234843		1	Adapter	
64	234953		1	Tee-connector	
65	483457		1	Hydraulic hose	
66	483002		1	Hydraulic hose	
67	370049		1	Flushing valve	
68	234233		4	Adapter	
69	334389		1	Connector	
71	482056		1	Hydraulic hose	
72	482968		1	Hydraulic hose	
73	482972		1	Hydraulic hose	
75	234900		1	T-connector	
76	929122		1	Reducing	
77	433830401		1	Connector	
78	910161		1	Measuring nipple	D
79	500111		2	Screw M12x55 8,8	
80	904213		2	Washer 13x30x4	
81	334589		1	Connector	
84	313102		N	Cable ties	
85	908487	C	1	O-ring	
86	359647		N	Hose clamp	
87	234958		1	Connector	
92	334197		2	Elbow 90	

- A) Replacement
- B) Cleaning
- C) Supplied with gear box

Vibration system, pump

Ref. No.	Part No.	Rem.	Qty	Description	Code
94	334248		1	Elbow 45	
95	334239		1	Adapter	

TO REAR MOTOR



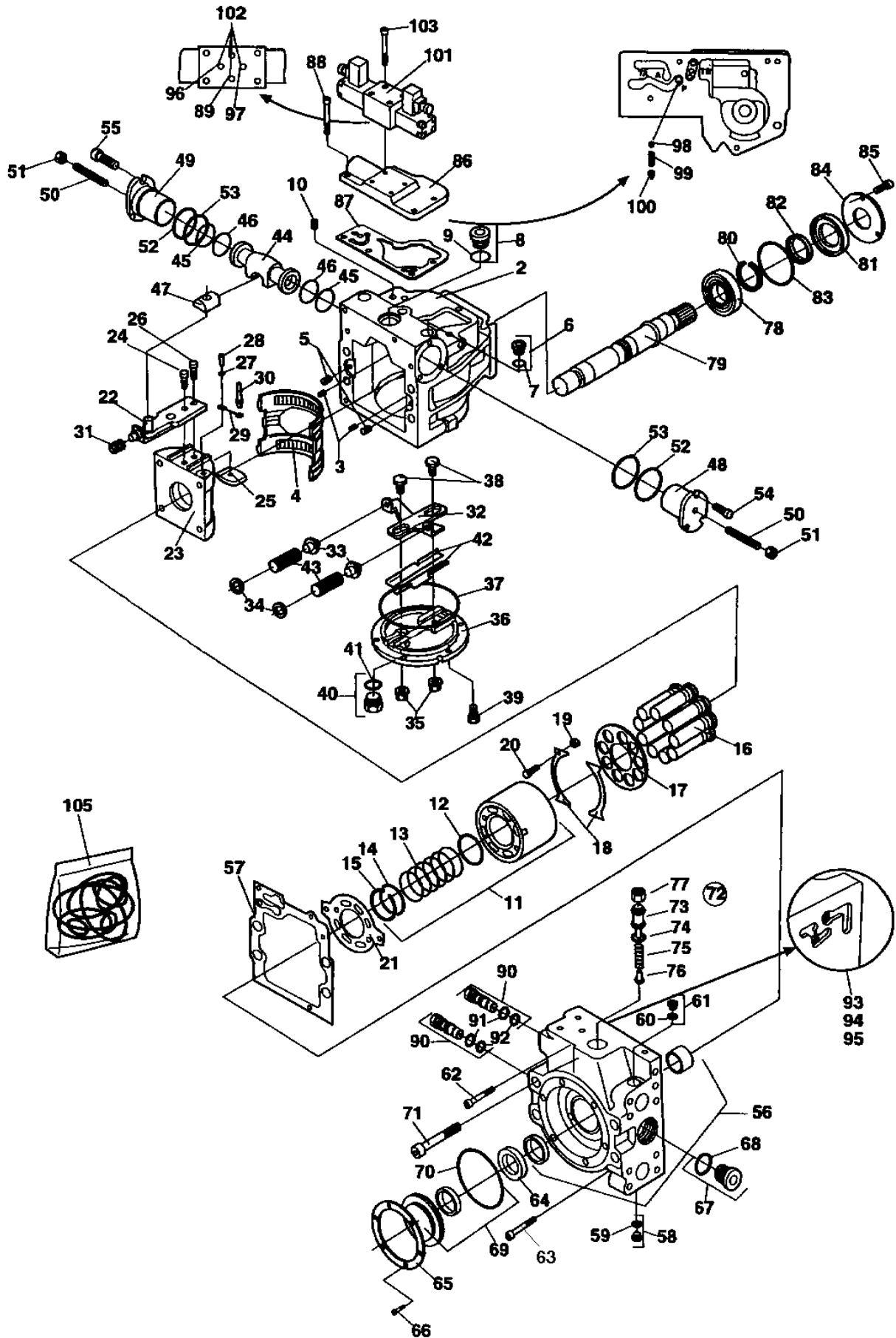
Vibration system, pump

Ref. No.	Part No.	Rem.	Qty	Description	Code
1	359141		1	Hydraulic pump, vibration (Page 136)	C
2	334158		2	Adapter	
3	234243		3	T-connector	
4	483248		1	Hydraulic hose	
5	483008		2	Hydraulic hose	
6	929226		4	Flange half	
7	900455		2	Flange adapter	
8	482973		1	Hydraulic hose	
10	502047		8	Screw	
11	904637		8	Washer 10x18x2	
13	483063		1	Hydraulic hose	
14	483067		1	Hydraulic hose	
16	482716		1	Hydraulic hose	
17	483019		1	Hydraulic hose	
18	334604		1	Connector	
19	359140		1	Valve Vibration (Page 140)	C
20	904004		2	O-ring	D
21			1	Hydraulic oil filter	D
	359551		1	.Filter head	
	372229	A	1	.Filter element Hydraulic	A
	359552	B	1	.Filter element Hydraulic, maximum 50 hours	
23	334468		1	Adapter	
24	483071		1	Hydraulic hose	
31	929122		1	Reducing	
32	900229		2	Measuring nipple	D
36	904230		2	Washer 10,5x22x2	
38	359557		1	Holder plate	
39	500028		2	Screw M10-1,5x25 8,8	
48	500021		2	Screw M8-1,25x25 8,8	
49	603019		2	Washer	
57	334138		1	Adapter	
58	334155		2	Connector	
59	334156		1	Adapter	
63	234843		1	Adapter	
64	234953		1	Tee-connector	
65	483457		1	Hydraulic hose	
66	483002		1	Hydraulic hose	
67	370049		1	Flushing valve	
68	234233		4	Adapter	
69	334389		1	Connector	
71	482056		1	Hydraulic hose	
72	482968		1	Hydraulic hose	
73	482972		1	Hydraulic hose	
75	234900		1	T-connector	
76	929122		1	Reducing	
77	433830401		1	Connector	
78	910161		1	Measuring nipple	D
79	500111		2	Screw M12x55 8,8	
80	904213		2	Washer 13x30x4	
81	334589		1	Connector	
84	313102		N	Cable ties	
85	908487	C	1	O-ring	
86	359647		N	Hose clamp	
87	234958		1	Connector	
92	334197		2	Elbow 90	
95	334239		1	Adapter	

- A) Replacement
 B) Cleaning
 C) Supplied with gear box

359141 Hydraulic pump, vibration

16851



359141 Hydraulic pump, vibration

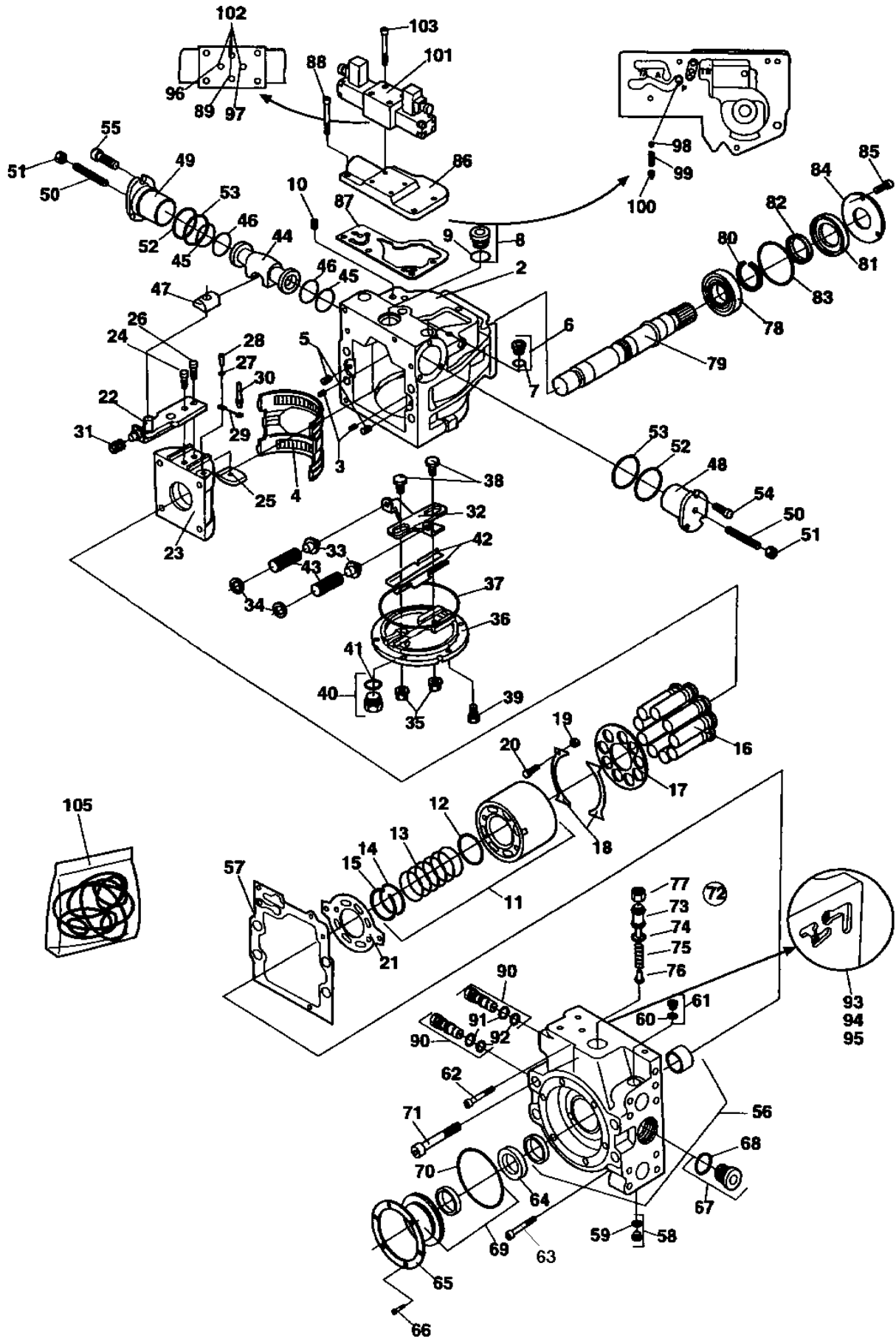
Ref. No.	Part No.	Rem.	Qty	Description	Code
2	937868		1	Housing	
3	909374		2	Pin	
4	937824		1	Bearing, cpl	
5	813822		2	Pin	
6	908432		3	Plug	
7	923087	A	3	.O-ring	D
8	909243		1	Plug	
9	926658	A	1	.O-ring	D
10	901454		3	Filter element	D
11	937825		1	Cylinder block, cpl	
12			1	.Spacer	
13			1	.Spring	
14			1	.Spring retainer	
15			1	.Ring retainer	
16	937826		9	Piston	
17	937827		1	Pressure plate	
18	937828		2	Retainer guide	
19	937829		4	Spacer	
20	937830		4	Screw	
21	937831		1	Valve plate	
22	937832		1	Servo arm, cpl	
23	937833		1	Swash plate	
24	937834		1	Screw	
25	937835		1	Guide	
26	937836		1	Screw	
27	937837		1	Washer	
28	937838		1	Pin	
29	937839		1	Link	
30	937840		1	Screw	
31	937841		1	Spring	
32	937842		1	Lever	
33	937843		2	Spring retainer	
34	937844		2	Washer	
35	937845	A	2	Nut	
36	937846		1	Cover	
37	937847	A	1	O-ring	
38	937848		2	Guide post	
39	937849		6	Screw	
40	909243		1	Plug	
41	926658	A	1	.O-ring	D
42	937869	B	1	Guide cpl	
43	937850		2	Spring	
44	937851		1	Servo piston, cpl	
45	937852	A	2	O-ring	
46	937853	A	2	Sealing ring	
47	937854		1	Guide	
48	936929		1	Servo sleeve	
49	936929		1	Servo sleeve	
50	936930		2	Screw	
51	909398	A	2	Seal lock nut	
52	936931	A	2	O-ring	
53	936932	A	2	O-ring	
54	936933		3	Screw	
55	936933		3	Screw	
56	937855		1	End cap	
57	937856		1	Gasket	
58	358388		2	Plug	
59	923087	A	2	.O-ring	D
60	908432		1	Plug	

A) Included in seal kit

B) 1 pair

359141 Hydraulic pump, vibration

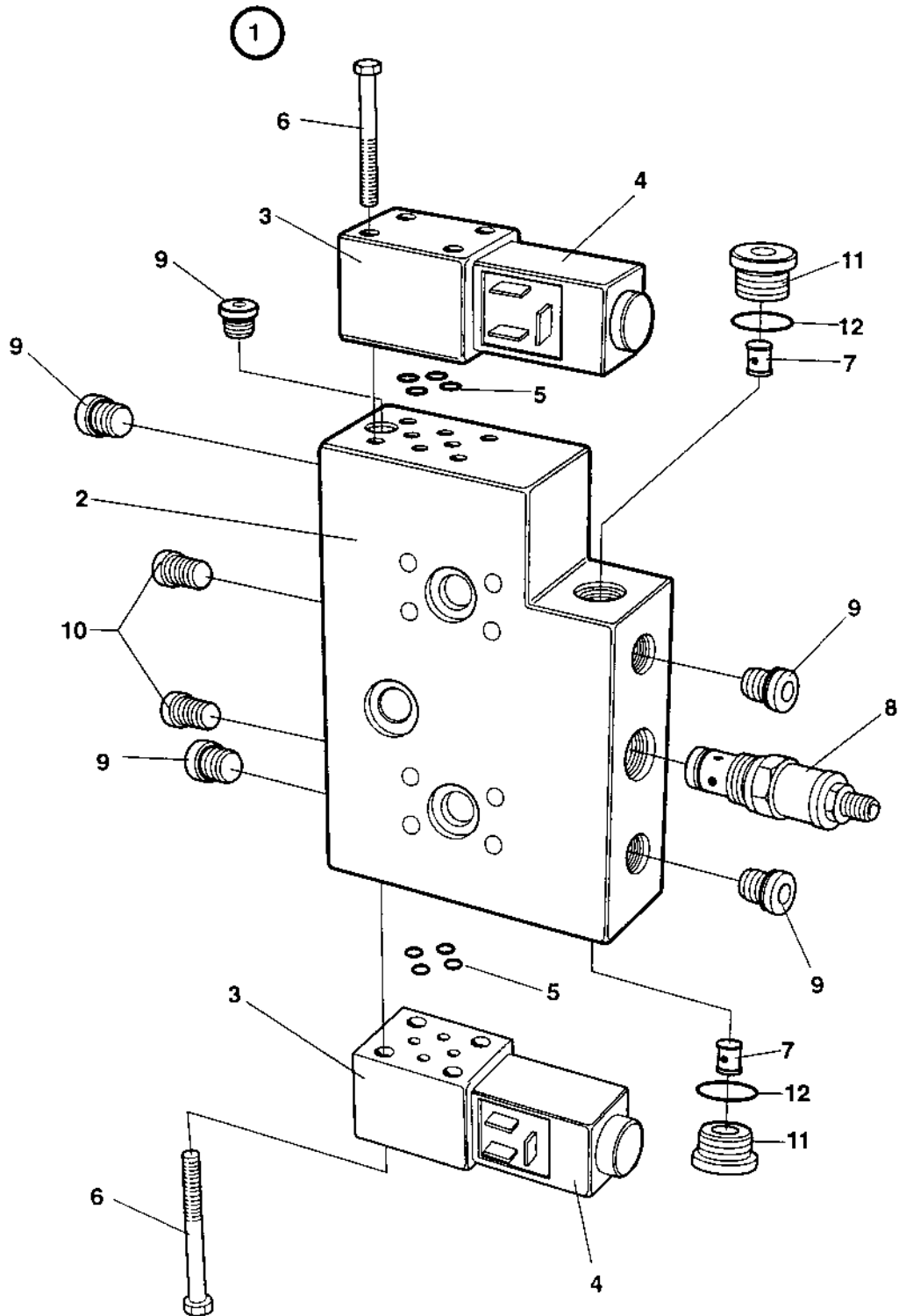
16851



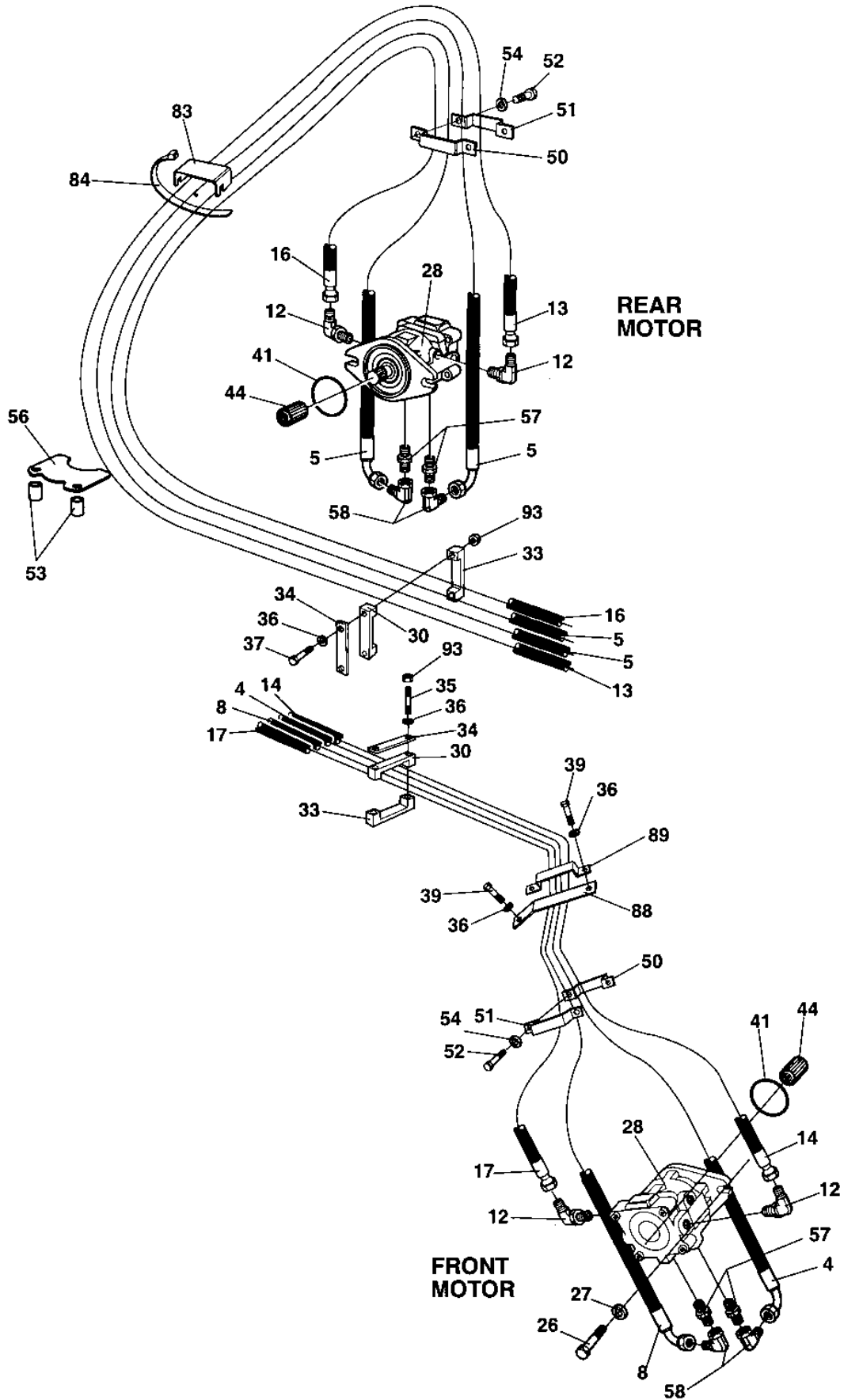
359141 Hydraulic pump, vibration

Ref. No.	Part No.	Rem.	Qty	Description	Code
61	923087	A	1	.O-ring	D
62	937857		1	Screw	
63	937858		1	Screw	
64	937859		1	Spacer	
65	935857		1	Retaining plate	
66	936566		6	Screw	
67	902928		1	Plug	
68	901453	A	1	.O-ring	
69	909648		1	Cover, cpl	
70	937150	A	1	.O-ring	
71	937860		4	Screw	
72	936583		1	Pressure relief valve, cpl	
73	903574		1	.Screw	
74	813618		1	.O-ring	D
75	901463		1	.Spring	D
76	901464		1	.Valve cone	D
77	902959		1	.Nut	
78	937063		1	Ball bearing	
79	937862		1	Shaft	
80	901727		1	Snap ring	D
81	937863		1	Seal carrier	
82	901732	A	1	Shaft seal	
83	937864	A	1	O-ring	
84	937865		1	Retaining plate	
85	937866		3	Screw	
86	936288		1	Control valve, cpl	
87	901733	A	1	Gasket	
88	937160		6	Screw	
89	937867		1	Orifice	
90	212339		2	Valve	
91	813611	A	2	.O-ring	
92	936579	A	2	.O-ring	
93	901475		2	Valve	D
94	909349	A	2	O-ring	
95	901476		2	Plug	D
96	937867		1	Orifice	
97	937867		1	Orifice	
98	937164		1	Orifice 0.81	
99	909436		1	Spring	
100	908448		1	Spring retainer	
101	909215		1	Solenoid valve	
102	927511	A	4	O-ring	
103	927510		4	Screw	
105	935972		1	Seal kit	

A) Included in seal kit



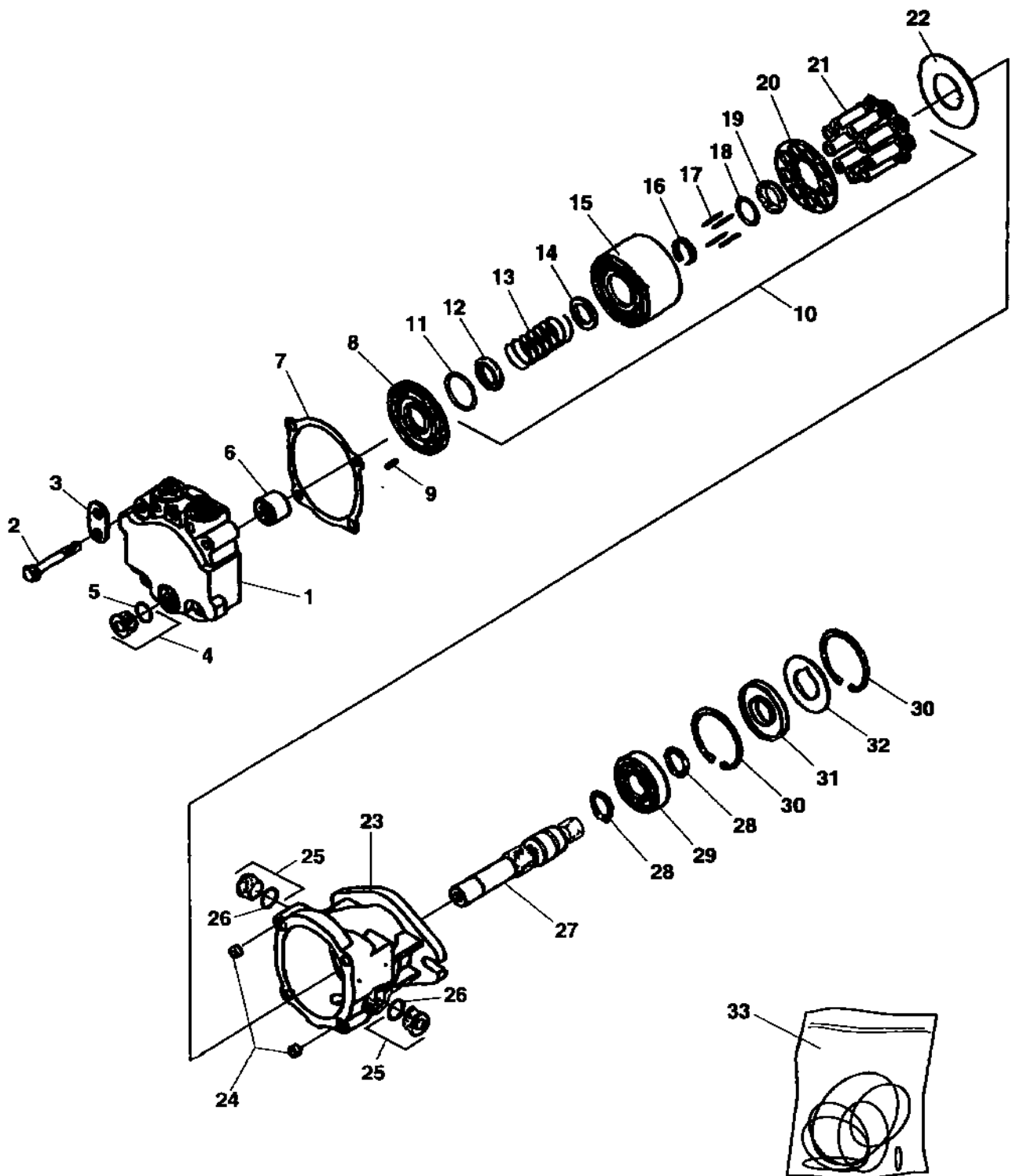
Ref. No.	Part No.	Rem.	Qty	Description	Code
1			1	Valve, cpl Vibration	
2	909201		1	.Valve block	
3	909202		2	.Solenoid valve	
4	909203		1	..Solenoid	D
5	909208		8	.O-ring	D
6	909204		8	.Screw	
7	909205		2	.Check valve	D
8	909206		1	.Pressure relief valve	D
9	909207		5	.Plug with sealing	
10	902937		2	.Plug	
11	909217		2	.Plug	
12	909216		2	.O-ring	



Vibration system, motors

Ref. No.	Part No.	Rem.	Qty	Description	Code
4		A	1	Hydraulic hose	
5		A	2	Hydraulic hose	
8		A	1	Hydraulic hose	
12	334558		4	Connector	
13		A	1	Hydraulic hose	
14		A	1	Hydraulic hose	
16		A	1	Hydraulic hose	
17		A	1	Hydraulic hose	
26	500037		4	Screw M12-1,75x35 8,8	
27	904213		4	Washer 13x30x4	
28	370260		2	Hydraulic motor, vibration (Page 144)	C
30	343872		2	Hose clamp	D
33	343732		2	Hose clamp	
34	335914		2	Cover plate	
35	904056		2	Stud	
36	904230		8	Washer 10,5x22x2	
37	903524		2	Bolt	
39	500028		4	Screw M10-1,5x25 8,8	
41	160279		2	O-ring	
44	340862		2	Splined sleeve	
50	370915		2	Hose clamp	
51	370916		2	Hose clamp	
52	500030		4	Screw M10-1,5x35H 8,8	
53				Not used on this model	
54	904557		4	Washer 10,5x22x4	
56	359563		1	Hose shields	
57	334138		4	Adapter	
58	334155		4	Connector	
83	370641		1	Hose shields	
84	313102	N		Cable ties	
88	372112		1	Holder plate	
89	374763		1	Hose clamp	
93	570006		4	Nut M10	

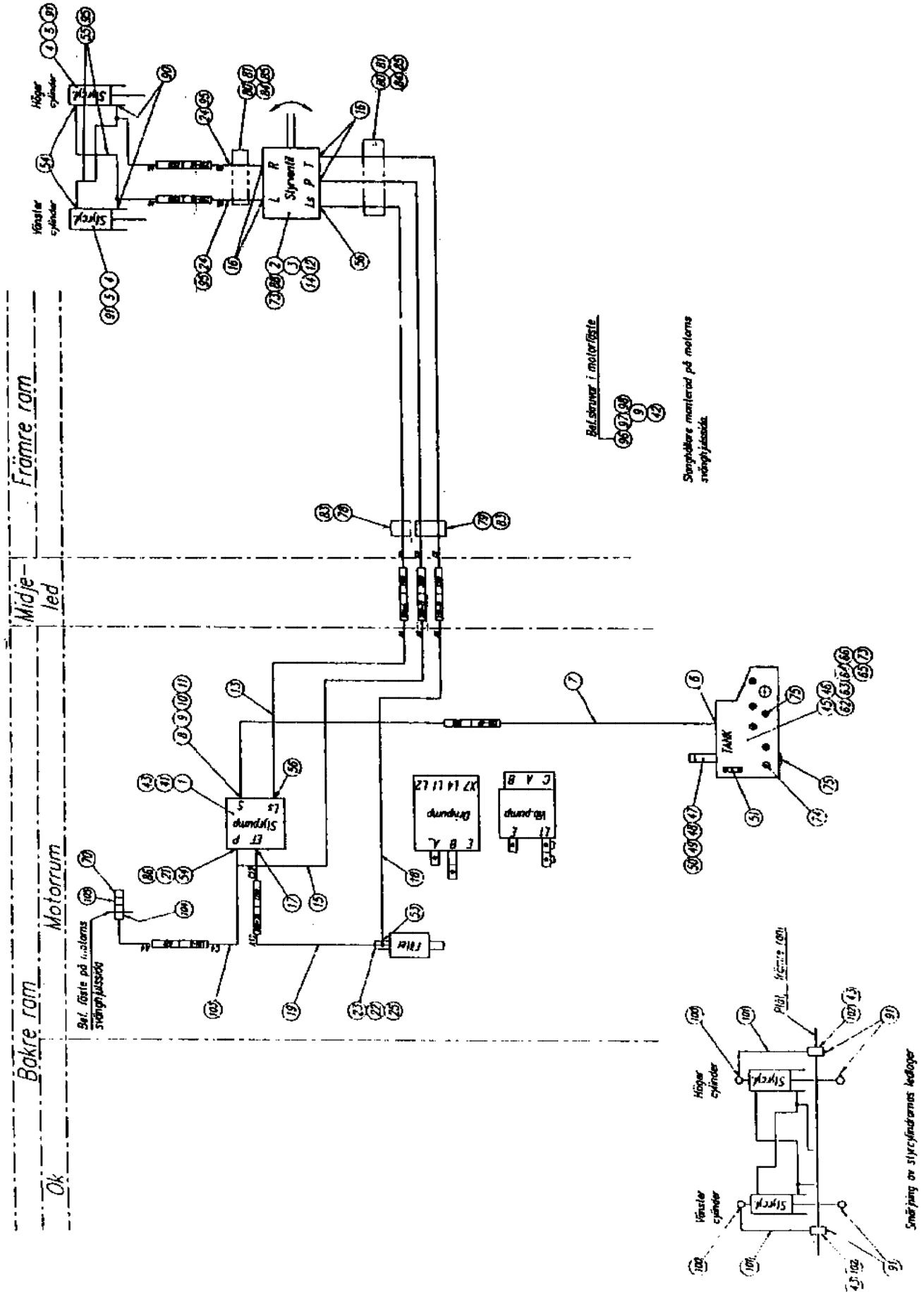
A) See vibration system, pump CC522



370260 Hydraulic motor, vibration

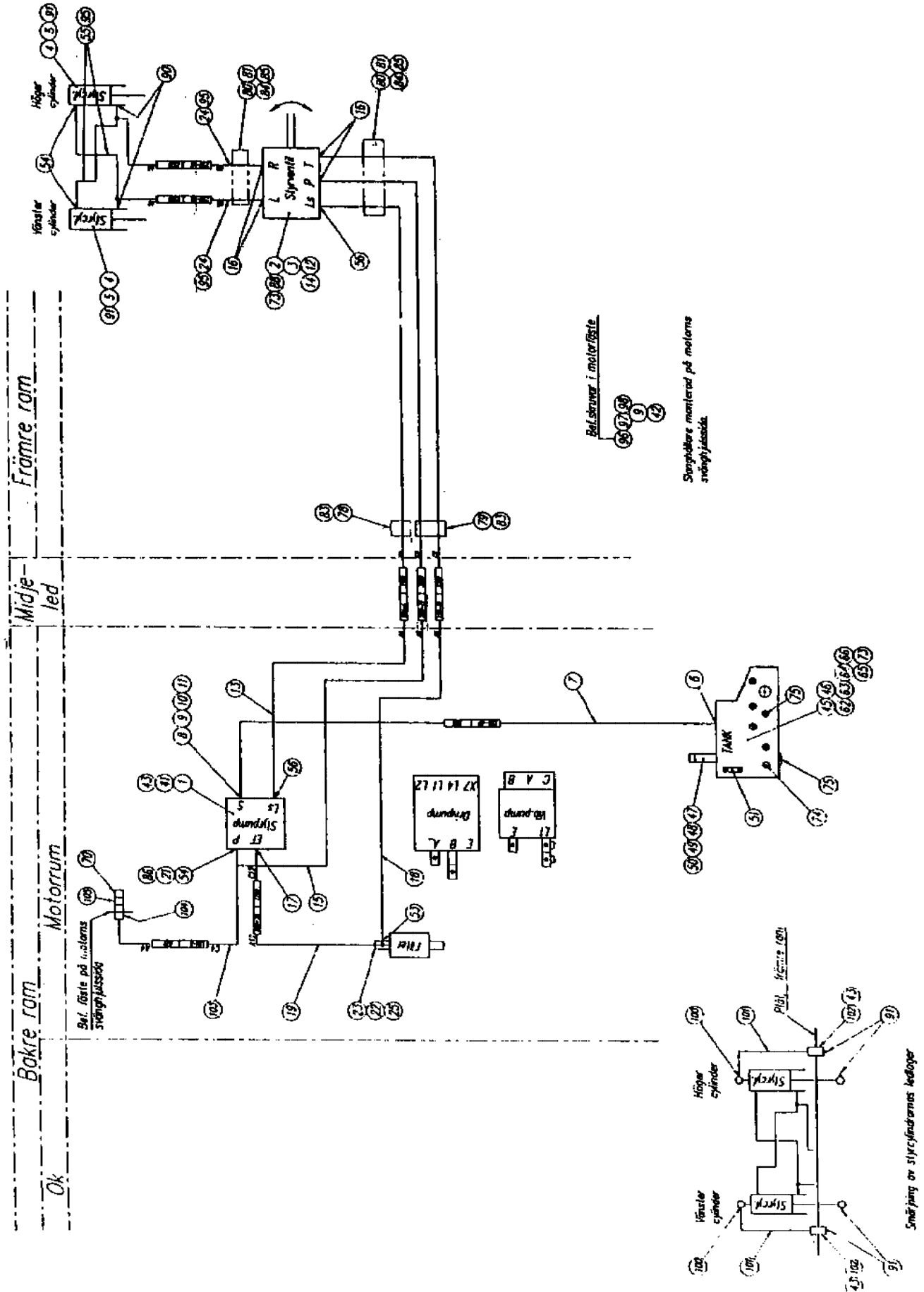
Ref. No.	Part No.	Rem.	Qty	Description	Code
1	937079		1	.End cap	
2	937080		4	.Screw	
3			1	.Lifting bracket	
4	909243		1	.Plug	
5		A	1	..O-ring	
6	937081		1	..Needle bearing	
7	937075	A	1	.Gasket	
8	937085		1	.Valve plate	
9	937086		1	.Pin	
10	937083		1	.Cylinder block, cpl	
11	937069		1	..Retaining ring	
12	937068		1	..Spring retainer	
13	937067		1	..Spring	
14	937066		1	..Washer	
15			1	..Cylinder block	
16	937071		1	..Retaining ring	
17	937070		4	..Pin	
18	937077		1	..Washer	
19	937072		1	..Retainer guide	
20			1	..Retainer	
21			9	..Piston	
22	937065		1	.Thrust plate	
23	937084		1	.Housing	
24	909346		2	.Pin	
25	909243		2	.Plug	
26		A	1	..O-ring	
27	937078		1	.Shaft	
28	901727		2	.Snap ring	D
29	937063		1	.Ball bearing	
30	937064		2	.Retaining ring	D
31	937061	A	1	.Seal	D
32	937062		1	.Support washer	D
33	937087		1	Seal kit	

A) Included in seal kit



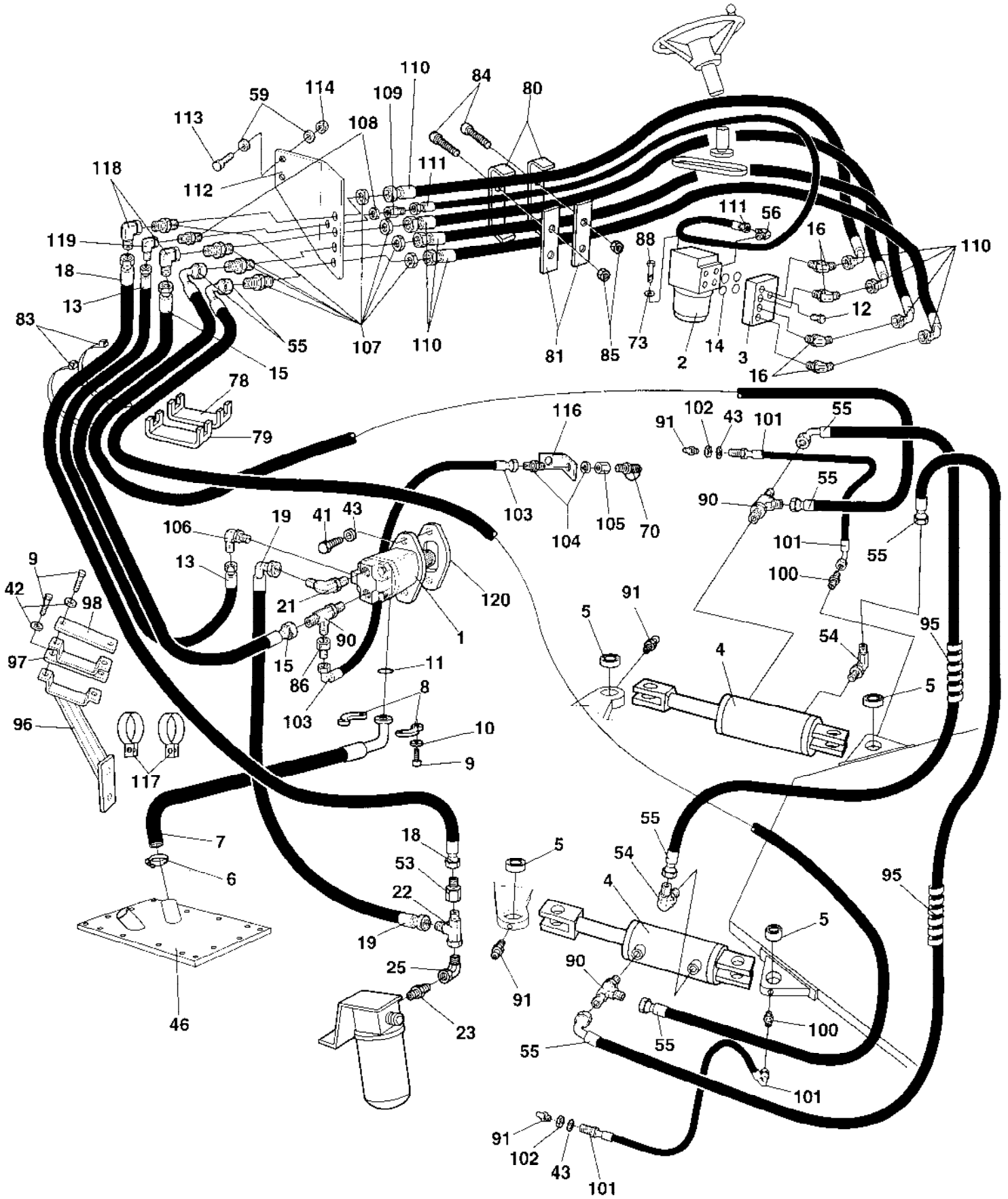
Steering system

Ref. No.	Part No.	Rem.	Qty	Description	Code
2	359145			Steering valve (Page 158)	C
4	373410			Hydraulic cylinder (Page 162)	C
10	600007		4	Washer	
11	813429		1	O-ring	
12	903773		2	Screw	
13	483099		1	Hydraulic hose	
14	160287		4	O-ring	D
15	482815		1	Hydraulic hose	
16	813500		4	Elbow 45, O-ring	
17	234131		1	Elbow 45, O-ring	
18	483086		1	Hydraulic hose	
19	482316		1	Hydraulic hose	
21	234953		1	Tee-connector	
22	234243		1	T-connector	
23	334468		1	Adapter	
24	334155		1	Connector	
25	334155		1	Connector	
41	500071		2	Screw M12-1,75x75 8,8	
42	904230		4	Washer 10,5x22x2	
43	904231		4	Washer 13x24x2	
45	371707		1	Hydraulic oil tank	
46	370776		1	Cover	
47	357138		1	Ventilating filter	B
48	357139		1	Connector	
49	313008		2	Hose clamp	D
50	205067		1XL	Rubber hose	
51	989151		1	Oil level gauge	D
53	234667		1	Reducer	
54	813444		3	Elbow 90, O-ring	
55	483016		4	Hydraulic hose	
56	334203		1	Elbow 90, O-ring	
59	904229		4	Washer 8,4x16x1,5	
62	357141		1	O-ring	
63	357459		6	Rubber cloth	
64	500053		14	Screw M8-1,25x20 8,8	
65	603009		14	Washer	
66	500028		2	Screw M10-1,5x25 8,8	
70	910161		1	Measuring nipple	D
73	603006		6	Washer	
74	232122		1	Plug 3/4NPTF	
75	892446		2	Plug	
78	359647		N	Hose clamp	
79	359564		N	Hose clamp	
80	359649		2	Hose clamp	
81	359650		2	Hose clamp	
83	313102		N	Cable ties	
84	500061		4	Screw M6-1X35 8,8	
85	902285		4	Lock nut M6	
86	334461		1	Reducing	
88	502036		4	Screw	
90	234218		3	Tee connector	
91	926214		4	Grease fitting	D
95	903082		4	Hose shield	
96	371473		1	Hose clamp	
97	371199		1	Hose clamp	
98	371200		1	Hose clamp	
100	371669		2	Straight connector	
101	903812		2	Hydraulic hose	
102	903831		2	Nut M12	
103	482991		1	Hydraulic hose	
104	330435		1	Connector	



Steering system

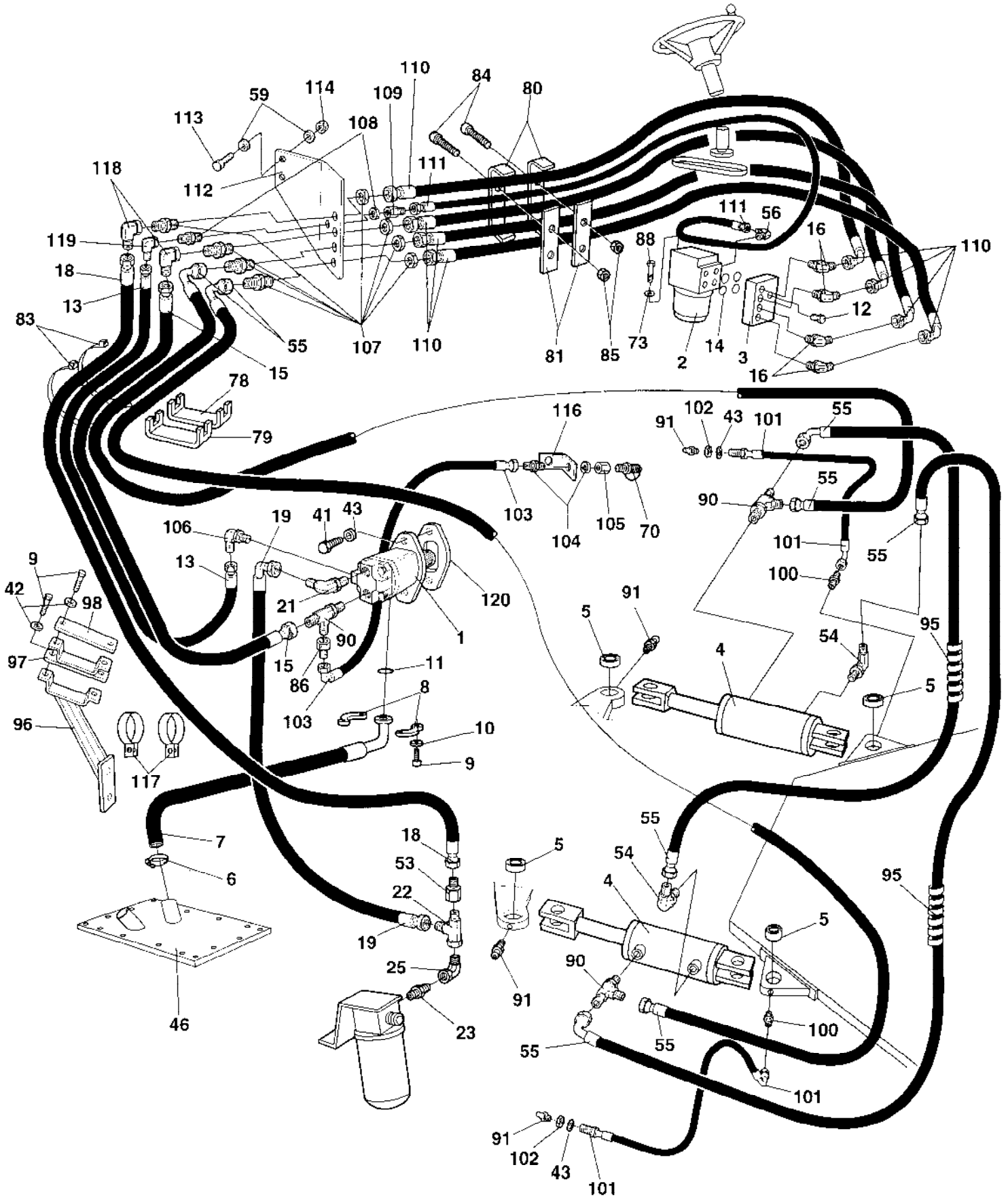
Ref. No.	Part No.	Rem.	Qty	Description	Code
105	338304		1	Connector	



Steering system

Ref. No.	Part No.	Rem.	Qty	Description	Code
1	372991		1	Hydraulic pump steering (Page 160)	C
2	359145		1	Steering valve (Page 158)	C
3	370155		1	Valve block	
4	373410		2	Hydraulic cylinder Up to 62910621 (Page 162)	C
	375031		2	Hydraulic cylinder From 62910622 (Page 164)	C
5	813316		4	Ball bushing	D
6	923378		1	Hose clamp	
7	370786		1	Hydraulic hose	
8	232097		2	Flange half	D
9	500029		8	Screw M10-1,5x30 8,8	
10	904637		4	Washer 10x18x2	
11	813429		1	O-ring	
12	903773		2	Screw	
13	483099		1	Hydraulic hose	
14	160287		4	O-ring	D
15	483136		1	Hydraulic hose	
16	813500		4	Elbow 45, O-ring	
18	483086		1	Hydraulic hose	
19	483127		1	Hydraulic hose	
21	334604		1	Connector	
22	234243		1	T-connector	
23	334468		1	Adapter	
25	334155		1	Connector	
41	500071		2	Screw M12-1,75x75 8,8	
42	904230		4	Washer 10,5x22x2	
43	904231		4	Washer 13x24x2	
46			1	Hydraulic oil tank (Page 166)	
53	234667		1	Reducer	
54	813444		2	Elbow 90, O-ring	
55	483016		4	Hydraulic hose	
56	334203		1	Elbow 90, O-ring	
59	904229		4	Washer 8,4x16x1,5	
70	910161		1	Measuring nipple	D
73	603006		4	Washer	
78	359647		N	Hose clamp	
79	359564		N	Hose clamp	
80	359649		2	Hose clamp	
81	359650		2	Hose clamp	
83	313102		N	Cable ties	
84	500061		4	Screw M6-1X35 8,8	
85	902285		4	Lock nut M6	
86	334264		1	Reducing	
88	502036		4	Screw	
90	234218		3	Tee connector	
91	926214		4	Grease fitting	D
95	903082	B	1XL	Hose shield	
96	371473		1	Hose clamp	
97	371199		1	Hose clamp	
98	371200		1	Hose clamp	
100	371669		2	Straight connector	
101	903812		2	Hydraulic hose	
102	903831		2	Nut M12	
103	482991		1	Hydraulic hose	
104	330435		1	Connector	
105	338304		1	Connector	
106	234806		1	Elbow 90, O-ring	
107	230515		4	Connector	
108	234921		1	Connector	
109	334523		1	Reducing	

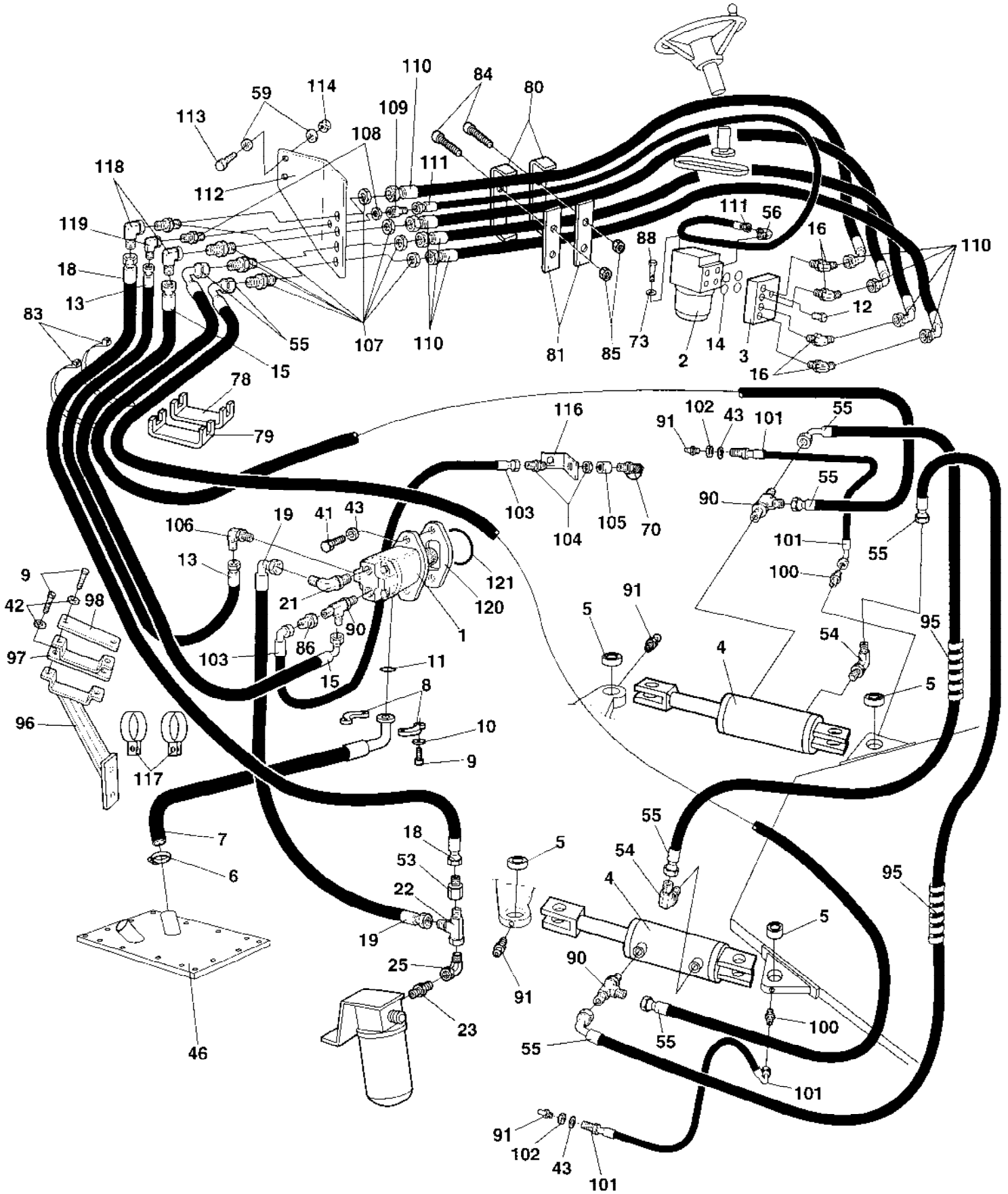
B) L=1,4 m



Steering system

Ref. No.	Part No.	Rem.	Qty	Description	Code
110	482734		4	Hydraulic hose	
111	483087		1	Hydraulic hose	
112	373037		1	Holder plate	
113	500021		2	Screw M8-1,25x25 8,8	
114	902286		2	Lock nut M8	
116	347802		1	Holder plate	
117	921119		2	Pipe clamp	
118	334197		2	Elbow 90	
119	334524		1	Connector	
120	909743	C	1	Gasket	

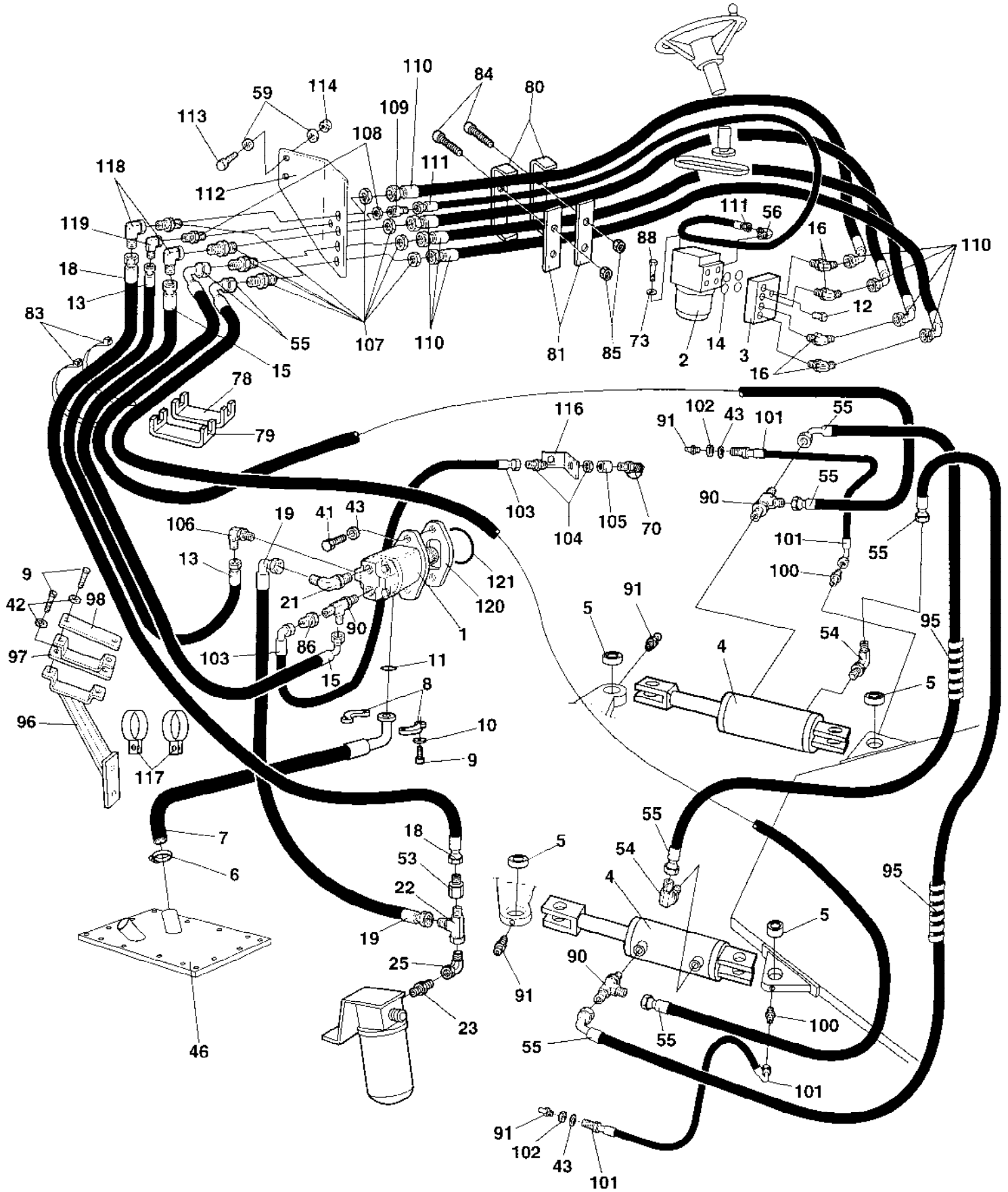
C) Supplied with engine



Steering system

Ref. No.	Part No.	Rem.	Qty	Description	Code
1	374060		1	Hydraulic pump steering	C
2	359145		1	Steering valve (Page 158)	C
3	370155		1	Valve block	
4	375031		2	Hydraulic cylinder (Page 164)	C
5	813316		4	Ball bushing	D
6	923378		1	Hose clamp	
7	370786		1	Hydraulic hose	
8	232097		2	Flange half	D
9	500029		8	Screw M10-1,5x30 8,8	
10	904637		4	Washer 10x18x2	
11	813429		1	O-ring	
12	903773		2	Screw	
13	483099		1	Hydraulic hose	
14	160287		4	O-ring	D
15	483412		1	Hydraulic hose	
16	813500		4	Elbow 45, O-ring	
18	483086		1	Hydraulic hose	
19	483127		1	Hydraulic hose	
21	334604		1	Connector	
22	234243		1	T-connector	
23	334468		1	Adapter	
25	334155		1	Connector	
41	500071		2	Screw M12-1,75x75 8,8	
42	904230		4	Washer 10,5x22x2	
43	904231		4	Washer 13x24x2	
46			1	Hydraulic oil tank (Page 166)	
53	234667		1	Reducer	
54	813444		2	Elbow 90, O-ring	
55	483016		4	Hydraulic hose	
56	334203		1	Elbow 90, O-ring	
59	904229		4	Washer 8,4x16x1,5	
70	910161		1	Measuring nipple	D
73	904567		4	Washer 10,5x28x6	
78	359647		N	Hose clamp	
79	359564		N	Hose clamp	
80	359649		2	Hose clamp	
81	359650		2	Hose clamp	
83	313102		N	Cable ties	
84	500061		4	Screw M6-1X35 8,8	
85	902285		4	Lock nut M6	
86	334264		1	Reducing	
88	502036		4	Screw	
90	234218		3	Tee connector	
91	926214		4	Grease fitting	D
95	903082	B	1XL	Hose shield	
96	371473		1	Hose clamp	
97	371199		1	Hose clamp	
98	371200		1	Hose clamp	
100	371669		2	Straight connector	
101	903812		2	Hydraulic hose	
102	903831		2	Nut M12	
103	831118		1	Hydraulic hose	
104	330435		1	Connector	
105	338304		1	Connector	
106	234806		1	Elbow 90, O-ring	
107	230515		4	Connector	
108	234921		1	Connector	
109	334523		1	Reducing	

B) L=1,4 m

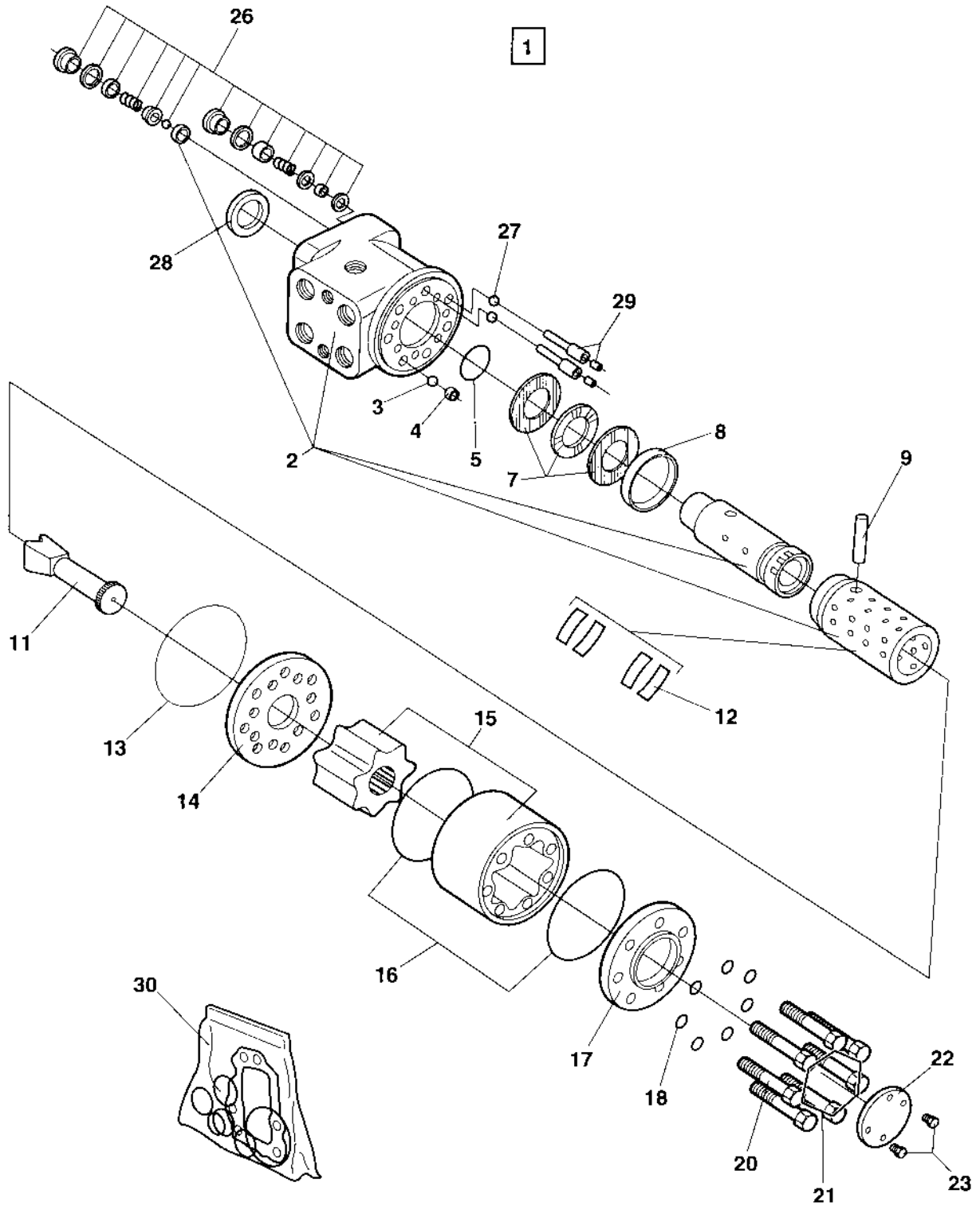


Steering system

Ref. No.	Part No.	Rem.	Qty	Description	Code
110	482734		4	Hydraulic hose	
111	483087		1	Hydraulic hose	
112	373037		1	Holder plate	
113	500021		2	Screw M8-1,25x25 8,8	
114	902286		2	Lock nut M8	
116	347802		1	Holder plate	
117	921119		2	Pipe clamp	
118	334197		2	Elbow 90	
119	334524		1	Connector	
120	909743	C	1	Gasket	
121	937055	D	1	O-ring	

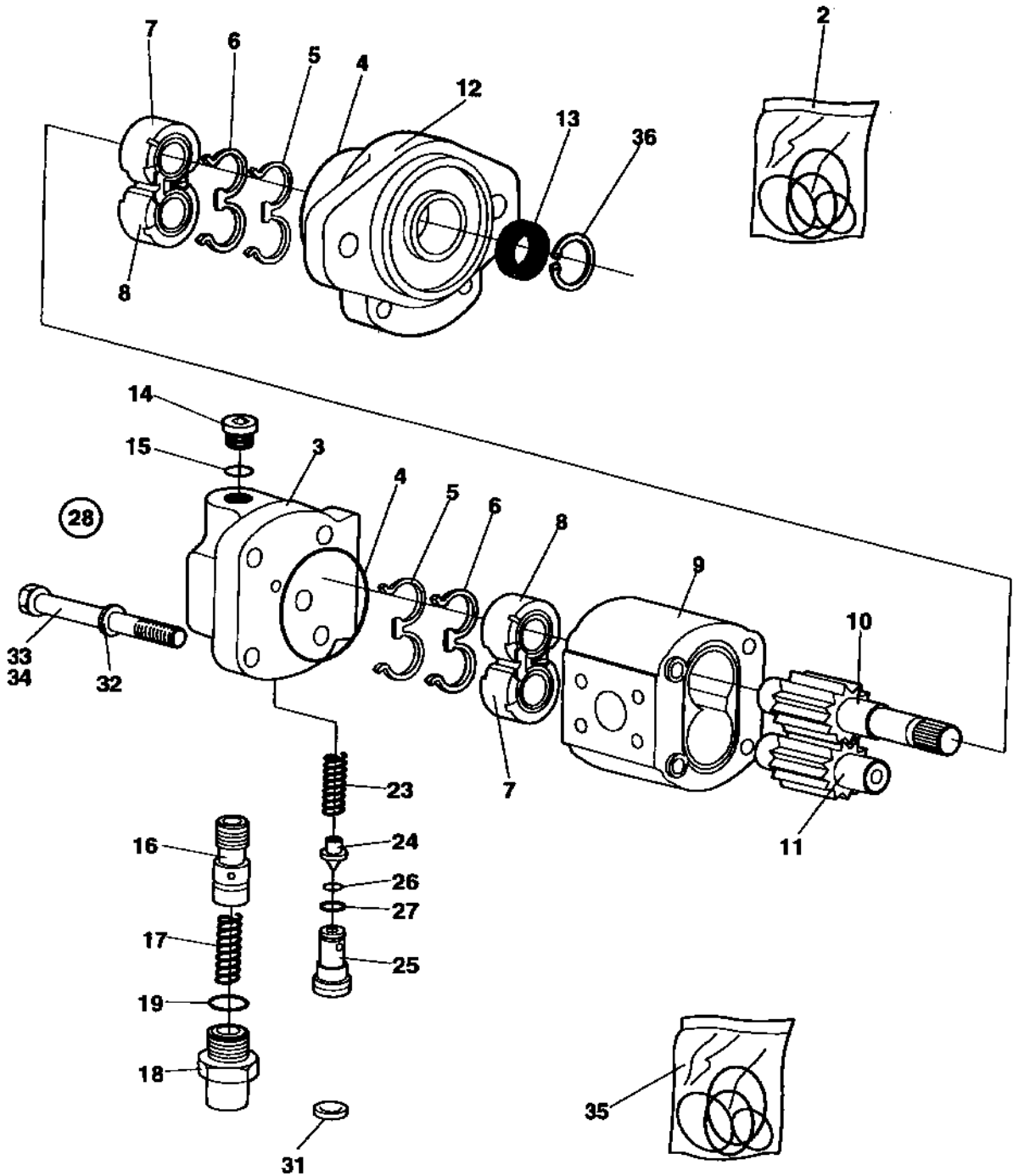
C) Supplied with engine

D) Supplied with pump



Ref. No.	Part No.	Rem.	Qty	Description	Code
1			1	Valve, cpl	
2			1	.Spool and sleeve	
3	480468		1	.Ball	
4	480446		1	.Threaded bushing	D
5		A	1	.O-ring	D
7	911620		1	.Bearing	D
8	480449		1	.Ring	
9	480447		1	.Cross pin	
11	902861		1	.Cardan shaft	
12	909211		1	.Set of springs	
13		A	1	.O-ring	
14	902869		1	.Strainer	
15	935547		1	.Gear kit	
16		A	2	.O-ring	
17	480450		1	.End cap	
18		A	7	.Washer	
20	935548		1	.Screw	
21	935549		6	.Screw	
22			1	.Name plate	
23			2	.Screw	
26	929012		2	.Shock valve 22,5-24,0 MPa	
27	929013		2	.Ball	
28		A	1	.Seal ring	
29	929014		2	.Rolled pin	
30	908783		1	Seal kit	D

A) Included in item 30

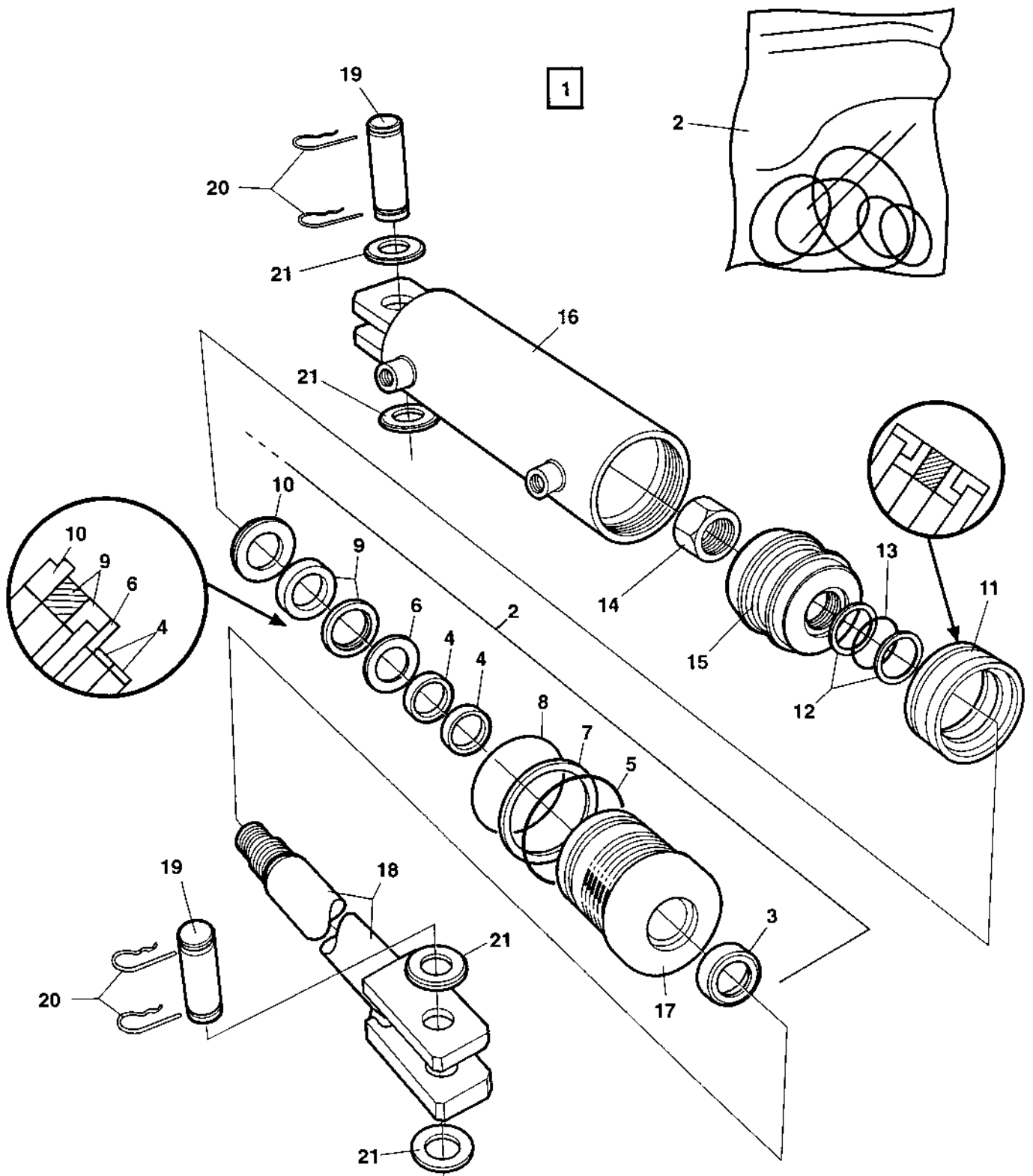


372991 Hydraulic pump steering

Ref. No.	Part No.	Rem.	Qty	Description	Code
2	935373		1	.Pump seal kit	
3			1	.Cover	
4		A	2	.O-ring	
5		A	2	.Back-up ring	
6		A	2	.Seal	
7			2	.Bushing	
8			2	.Bushing	
9			1	.Housing	
10			1	.Shaft with gear	
11			1	.Gear	
12			1	.Cover	
13		A	1	.Seal	
14			1	.Plug with o-ring	
15			1	..O-ring	
16			1	.Spool	
17			1	.Spring with spacer	
18			1	.Spring seal	
19			1	.O-ring	
23			1	.Spring	
24			1	.Valve	
			1	.Valve seat assy	
25			1	..Valve housing	
26			1	..O-ring	
27			1	..O-ring	
28	935375	B		Valve, cpl	
31			1	.Core plug	
32			1	.Washer	
33			1	.Screw	
34			1	.Screw	
35			1	.Seal kit, valve	
36			1	.Retaining ring	

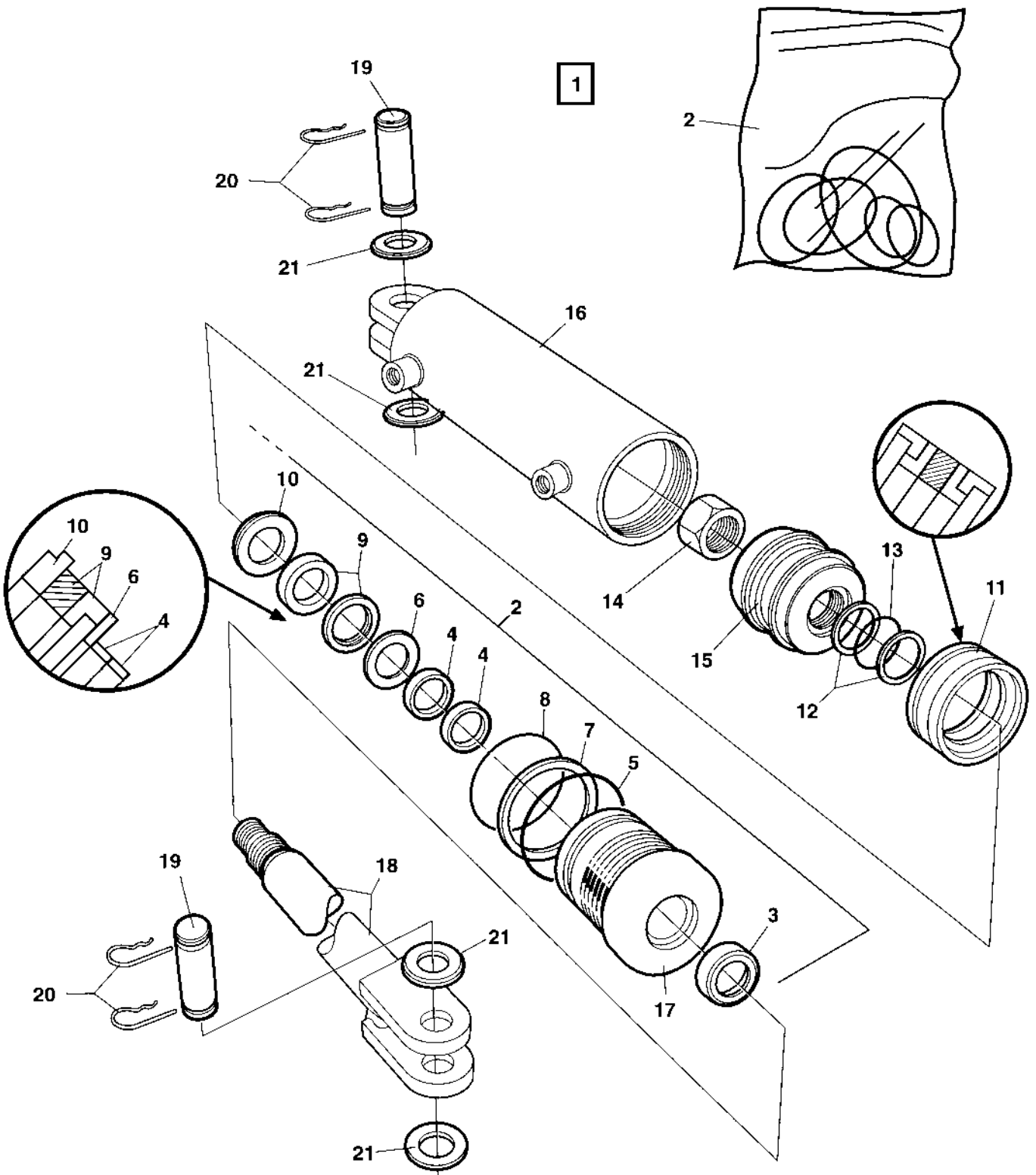
A) In kit item 2

B) Includes items 3,16-19,23-27,31



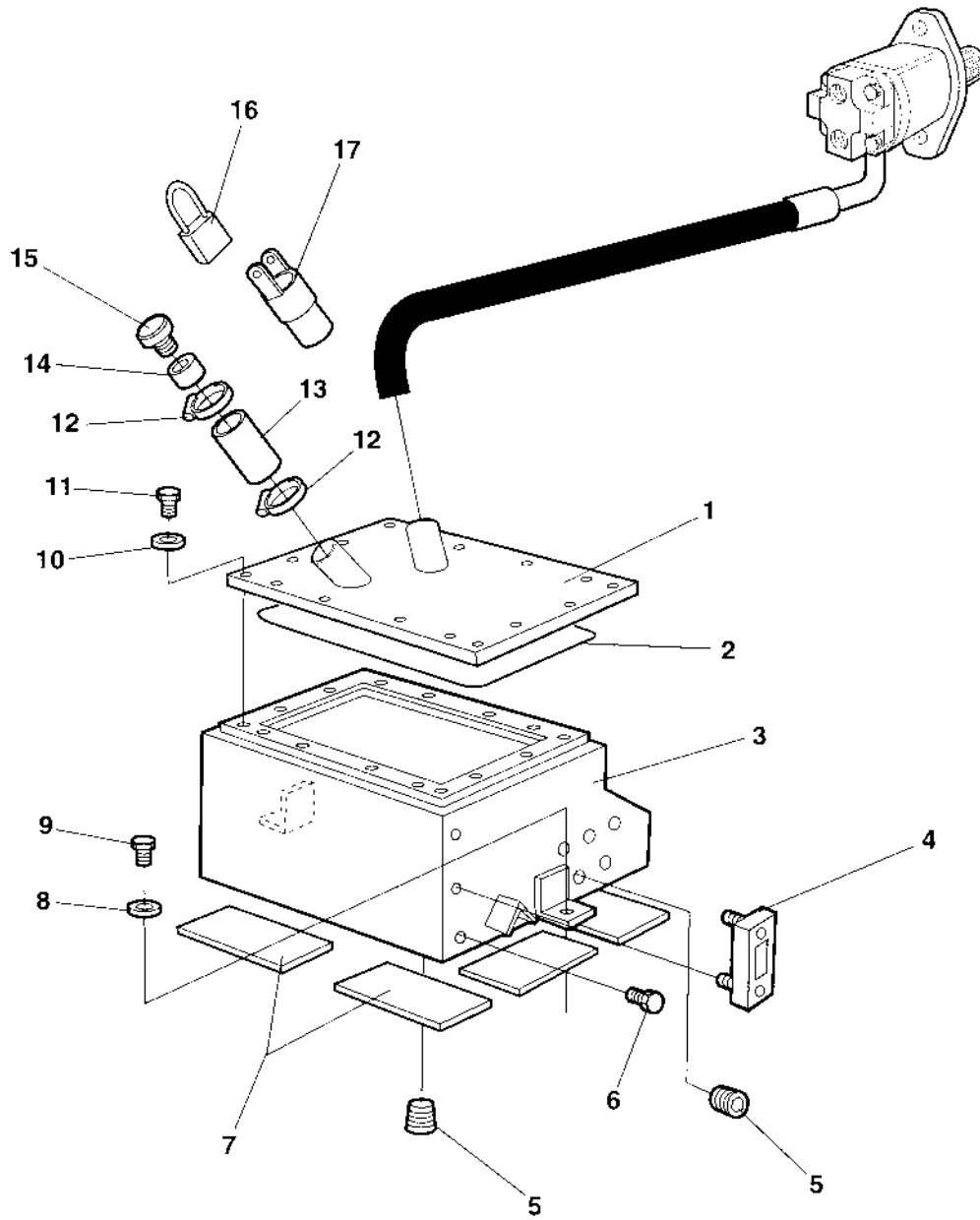
373410 Hydraulic cylinder

Ref. No.	Part No.	Rem.	Qty	Description	Code
1			1	Steering cylinder, cpl	
2	904145		1	..Seal kit	D
3			1	..Seal	D
4			2	..Seal	D
5			1	..O-ring	D
6			1	..Back-up ring	D
7			1	..Back-up ring	D
8			1	..O-ring	D
9			1	..Seal	D
10			1	..Retainer ring	D
11			1	..Seal	D
12			2	..Back-up ring	D
13			1	..O-ring	D
14			1	..Lock nut	D
15	904143		1	..Piston block	
16	903618		1	..Cylinder tube	
17	903619		1	..Steering	
18	904144		1	..Piston rod	
19	347119		2	..Shaft	D
20	635061		4	..Hair clip	D
21	600016		4	..Washer 26x45x4	



375031 Hydraulic cylinder

Ref. No.	Part No.	Rem.	Qty	Description	Code
1			1	Steering cylinder, cpl	
2	904145		1	.Seal kit	D
3			1	..Seal	D
4			2	..Seal	D
5			1	..O-ring	D
6			1	..Back-up ring	D
7			1	..Back-up ring	D
8			1	..O-ring	D
9			1	..Seal	D
10			1	..Retaining ring	D
11			1	..Seal	D
12			2	..Back-up ring	D
13			1	..O-ring	D
14			1	..Lock nut	D
15	904143		1	.Piston block	
16	936267		1	.Cylinder	
17	903619		1	.Steering	
18	936268		1	.Piston rod	
19	347119		2	.Shaft	D
20	635061		4	.Hair clip	D
21	600016		4	.Washer 26x45x4	



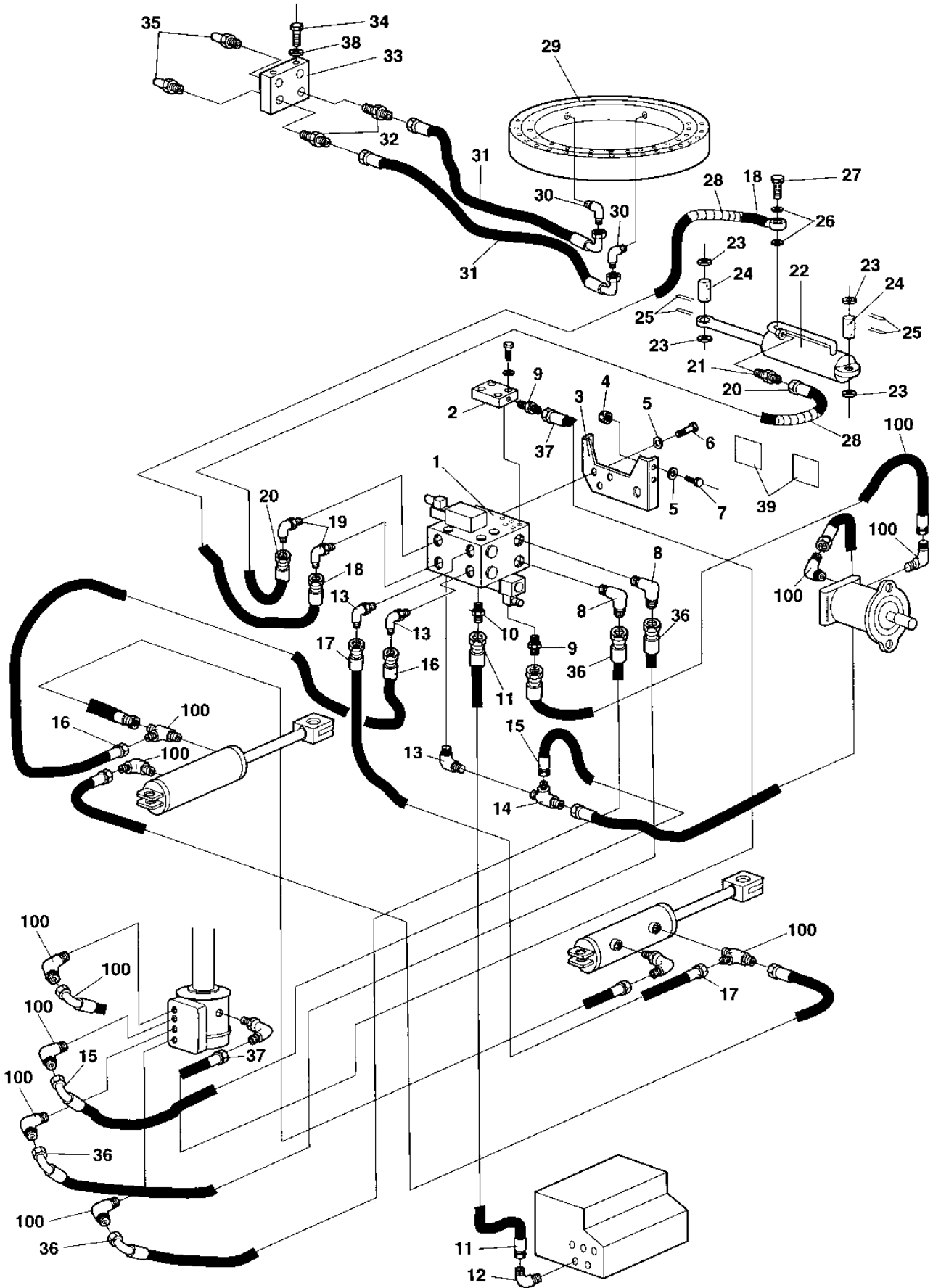
Hydraulic oil tank

Ref. No.	Part No.	Rem.	Qty	Description	Code
1	370776		1	Cover	
2	357141		1	O-ring	
3	371707		1	Hydraulic oil tank	
4	989151		1	Oil level gauge	D
5	892446		2	Plug	
6	232122		1	Plug 3/4NPTF	
7	357459		6	Rubber cloth	
8	904567		2	Washer 10,5x28x6	
9	500028		2	Screw M10-1,5x25 8,8	
10	904734		14	Washer 8,4x26x4	
11	500053		14	Screw M8-1,25x20 8,8	
12	313008		2	Hose clamp	D
13	205067	A	1XL	Rubber hose	
14	357139		1	Connector	
15	357138		1	Ventilating filter	B
16	904603	B	1	Padlock	
17	376449	B	1	Connector	

- A) L=220 mm
B) With Bio-oil, Option

Offset drum

17045



Offset drum

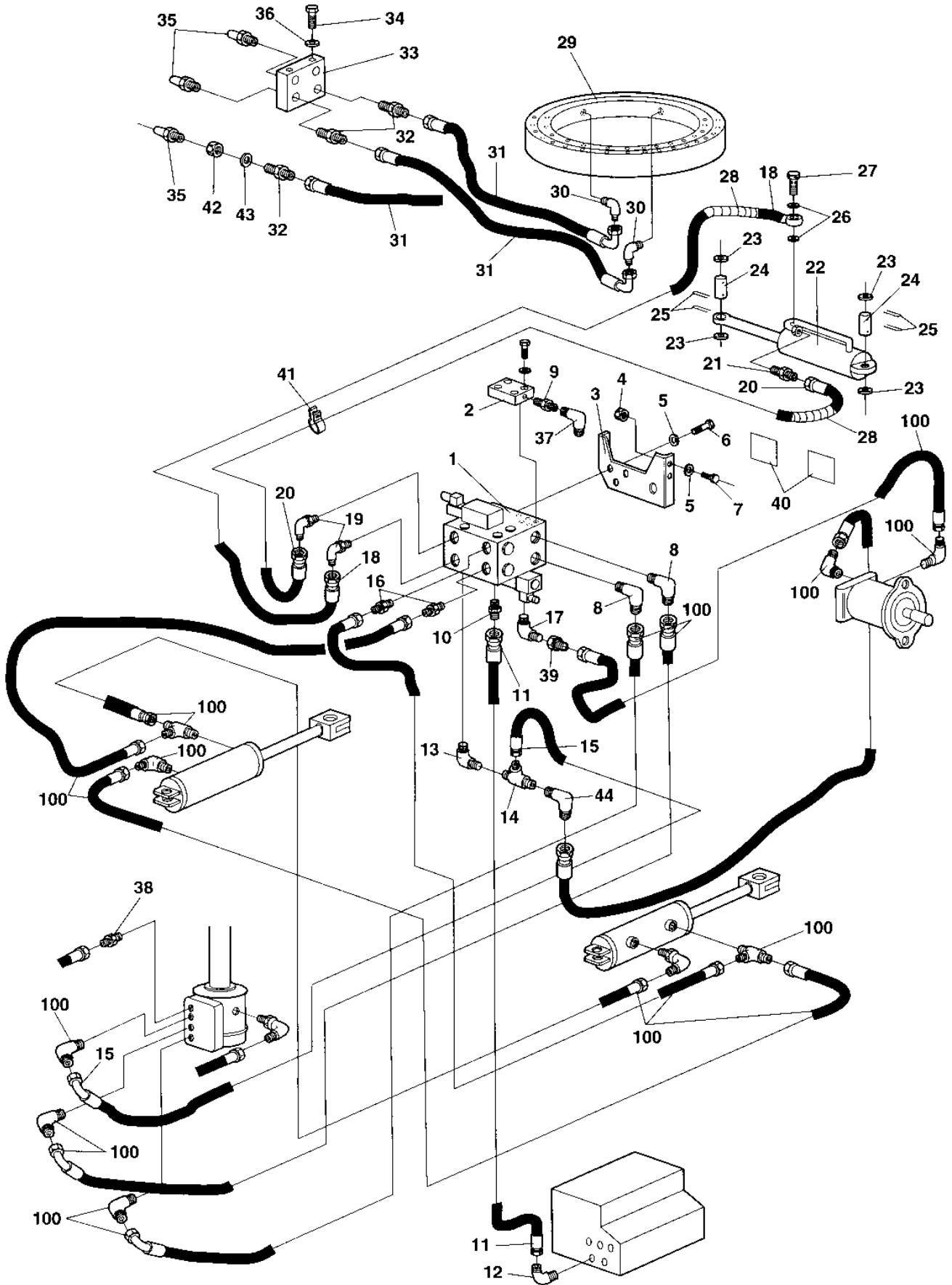
Ref. No.	Part No.	Rem.	Qty	Description	Code
1			1	Valve Offset drum	
2	359231		1	Cover plate	
3	359767		1	Holder plate	
4	570005		4	Nut M8	
5	904229		7	Washer 8,4x16x1,5	
6	500053		3	Screw M8-1,25x20 8,8	
7	500021		4	Screw M8-1,25x25 8,8	
8	813500		2	Elbow 45, O-ring	
9	234388		2	Connector	
10	334121		1	Straight connector	
11	482988		1	Hydraulic hose	
12	801198		1	Elbow 90	
13	813444		3	Elbow 90, O-ring	
14	334135		1	T-connector	
15	482243		1	Hydraulic hose	
16	483017		1	Hydraulic hose	
17	482213		1	Hydraulic hose	
18	371419		1	Hydraulic hose	
19	334420		2	Elbow 90	
20	482989		1	Hydraulic hose	
21	334236		1	Adapter	
22	371438		1	Cylinder, offset drum (Page 174)	C
23	903786		4	Washer	
24	371437		2	Shaft	
25	630020		4	Pin	
26	162024		2	Washer, sealing	
27	330171		1	Hollow screw	
28	903082	A		Hose shield	
29	359192		1	Bearing	
30	234341		4	Elbow 45	
31	482730		4	Hydraulic hose	
32	234358		4	Adapter	
33	359773		1	Nipple holder	
34	500061		2	Screw M6-1X35 8,8	
35	926214		4	Grease fitting	D
36	482734		2	Hydraulic hose	
37	482836		1	Hydraulic hose	
38	904228		2	Washer 6,4x12x1,5	
39	903422		2	Decal "SAFETY"	
100		B		Existing parts	

A) L=0,7 m

B) See section " Steering system "

Offset drum

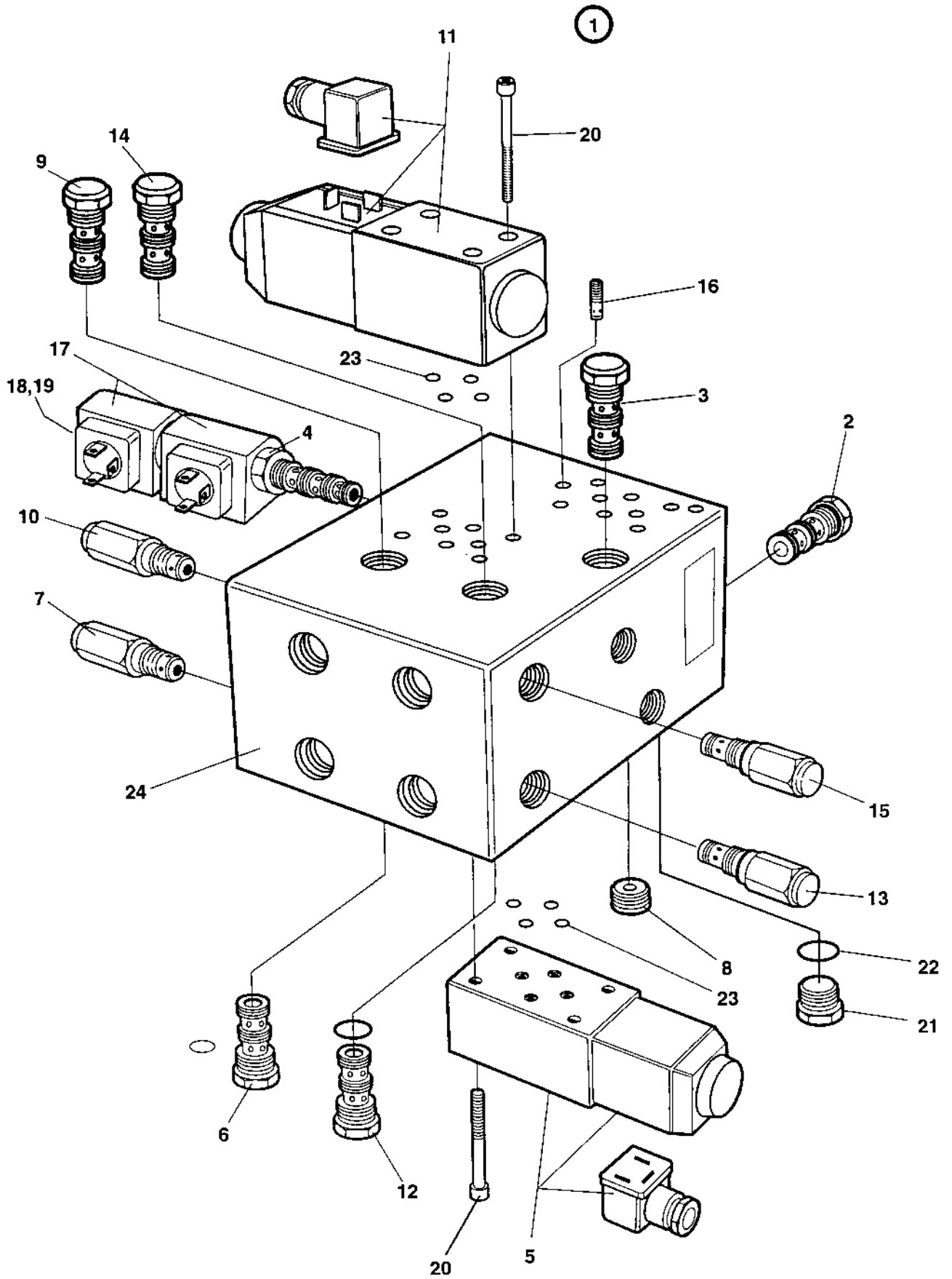
17047



Offset drum

Ref. No.	Part No.	Rem.	Qty	Description	Code
1			1	Valve Offset drum (Page 172)	
2	359231		1	Cover plate	
3	359767		1	Holder plate	
4	570005		4	Nut M8	
5	904229		7	Washer 8,4x16x1,5	
6	500053		3	Screw M8-1,25x20 8,8	
7	500021		4	Screw M8-1,25x25 8,8	
8	813500		2	Elbow 45, O-ring	
9	234388		1	Connector	
10	334121		1	Straight connector	
11	482988		1	Hydraulic hose	
12	801198		1	Elbow 90	
13	813444		1	Elbow 90, O-ring	
14	334135		1	T-connector	
15	482243		1	Hydraulic hose	
16	334121		2	Straight connector	
17	334389		1	Connector	
18	371419		1	Hydraulic hose	
19	334420		2	Elbow 90	
20	482989		1	Hydraulic hose	
21	334236		1	Adapter	
22	371438	C	1	Cylinder, offset drum (Page 174)	C
	373406	D	1	Cylinder, offset drum (Page 176)	C
23	903786		4	Washer	
24	371437		2	Shaft	
25	630020		4	Pin	
26	162024		2	Washer, sealing	
27	330171		1	Hollow screw	
28	903082	A		Hose shield	
29	359192		1	Bearing	
30	234342		4	Adapter Up to 62910572	
	373183		4	Elbow 90 From 62910573	
31	482730		4	Hydraulic hose Up to 62910572	
	903813		4	Hydraulic hose From 62910573	
32	234358		4	Adapter Up to 62910572	
33	359773		1	Nipple holder Up to 62910572	
34	500061		2	Screw M6-1X35 8,8 Up to 62910572	
35	926214		4	Grease fitting	D
36	904228		2	Washer 6,4x12x1,5	
37	334196		1	Elbow 90	
38	334249		1	Connector	
39	348182		1	Adapter	
40	903422		2	Decal "SAFETY"	
41	921022		2	Hose clamp	
42	903831		4	Nut M12 From 62910573	
43	904231		4	Washer 13x24x2 From 62910573	
44	334197		1	Elbow 90	
100		B	1	Existing parts	

- A) L=0,7 m
- B) See section " Steering system "
- C) Used up to 1997. Please check P/N on the cylinder.
Interchangeable with 373406 kpl
- D) Used from 1998. Please check P/N on the cylinder.

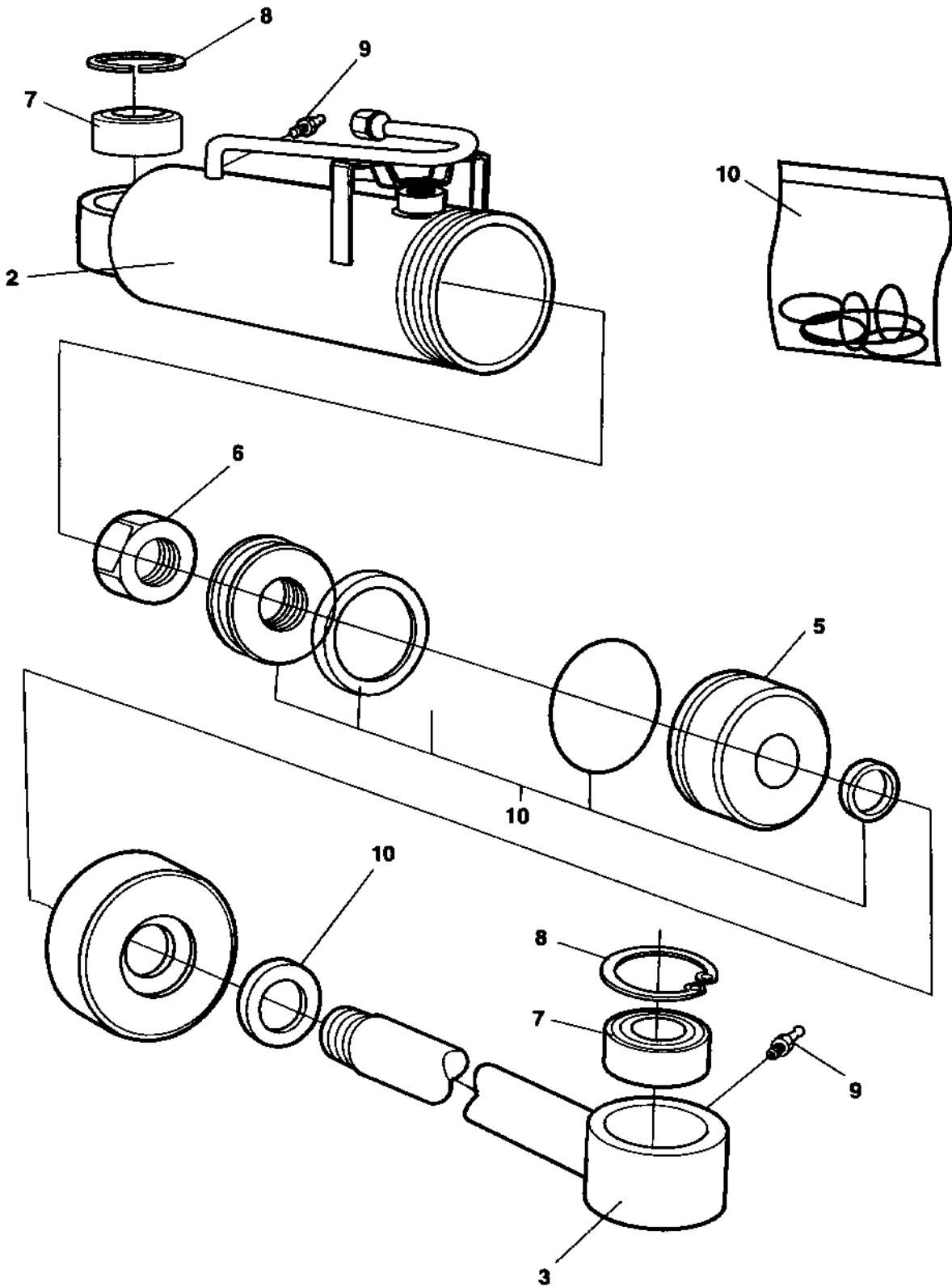


Valve Offset drum

Ref. No.	Part No.	Rem.	Qty	Description	Code
1	372928		1	Valve, offset drum	C
	375158		1	Valve, offset drum	C
	380979		1	Valve, offset drum	C
2	908205		1	.Pressure sensing valve	
3	908205		1	.Pressure sensing valve	
4	908206	A	1	.Directional valve	
5	908207		1	.Directional valve, cpl	
	900991		1	..Solenoid	
	900992		1	..Seal kit	D
6	937659		1	.Check valve	
7	936145		1	.Pressure relief valve	
8	909529		1	.Orifice	
9	937659		1	.Check valve	
10	936145		1	.Pressure relief valve	
11	908207		1	.Directional valve, cpl	
	900991		1	..Solenoid	
	900992		1	..Seal kit	D
12	937659		1	.Check valve	
13	936145		1	.Pressure relief valve	
14	937659		1	.Check valve	
15	936145		1	.Pressure relief valve	
16	908210		1	.Orifice	
17	908707		2	.Coil	
18	908211		1	.Nut	
19	908212		1	.Washer	
20	927645	B	2	.Screw, set	
21	908213		2	.Plug	
22	908214		2	.O-ring	
23	908417		8	.O-ring	
24			1	.Valve block	

A) Without 17,18,19

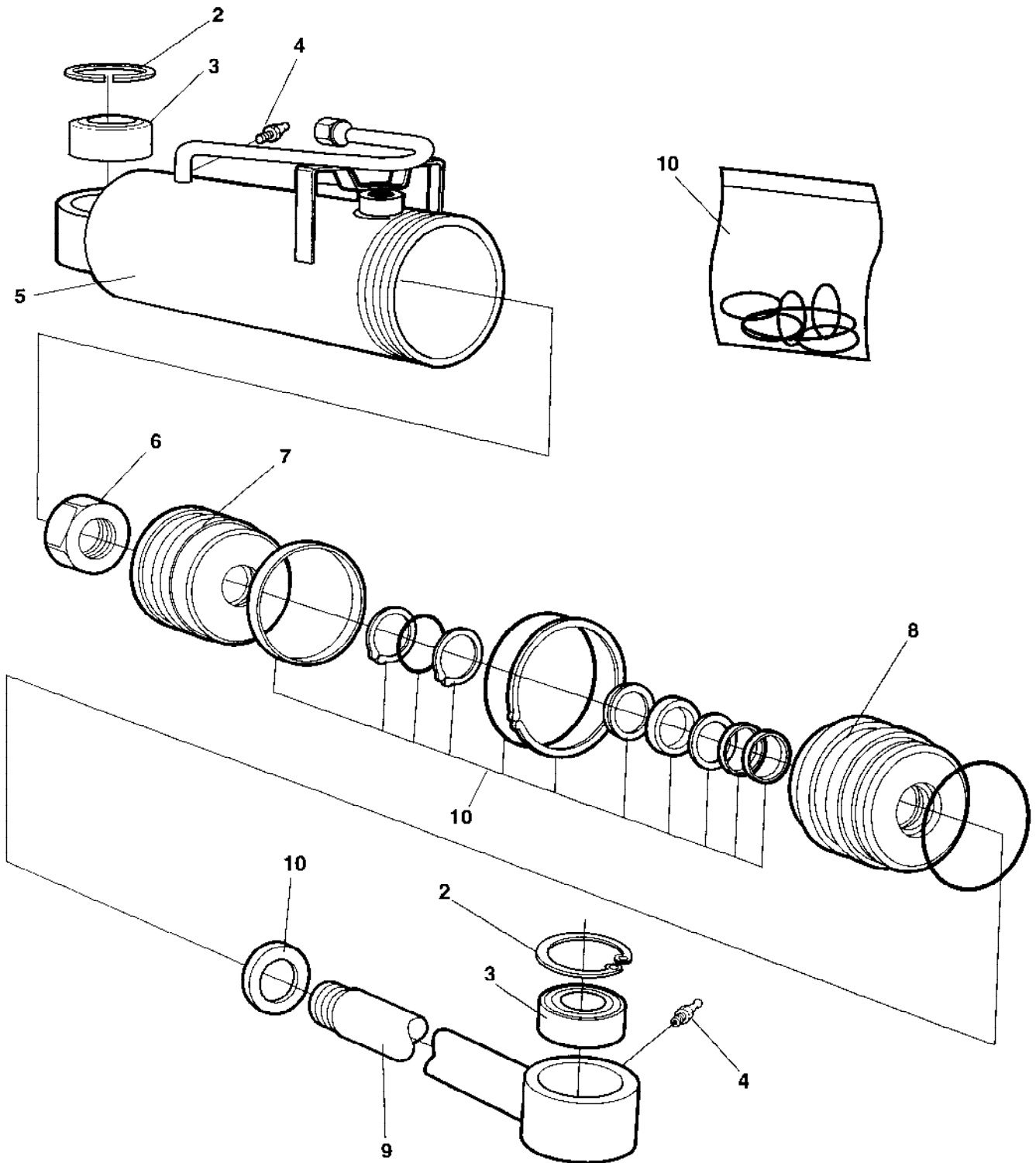
B) 4 pcs in a set



371438 Cylinder, offset drum

Ref. No.	Part No.	Rem.	Qty	Description	Code
1			1	Hydraulic cylinder, cpl	
2			1	.Cylinder	
3			1	.Piston rod	
5			1	.Gland	
6			1	.Cylinder nut	
7	903788		2	.Bearing	
8	151019		2	.Retaining ring	D
9	926214		2	.Grease fitting	D
10	935228		1	Seal kit	D

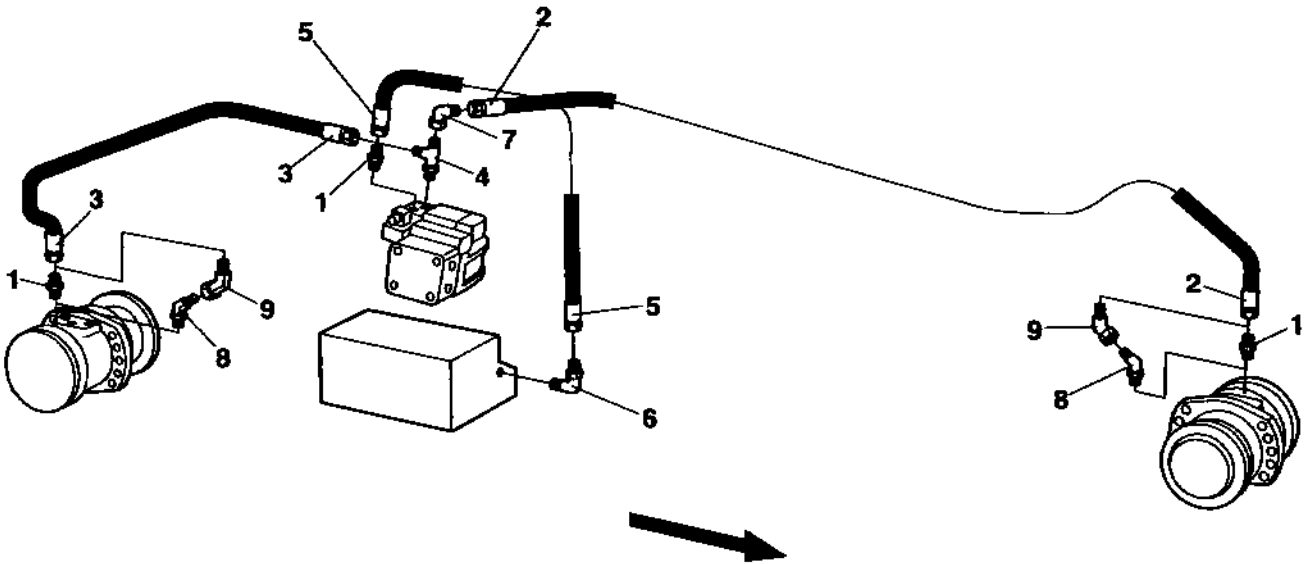
1



373406 Cylinder, offset drum

Ref. No.	Part No.	Rem.	Qty	Description	Code
1			1	Hydraulic cylinder, cpl	D
2	151019		2	.Retaining ring	D
3	903788		2	.Bearing	
4	926214		2	.Grease fitting	D
5	904166		1	.Cylinder tube	
6	904142	A	1	.Lock nut	
7	904143		1	.Piston block	
8	903619		1	.Steering	
9	904167		1	.Piston rod	
10	904145		1	Seal kit	D

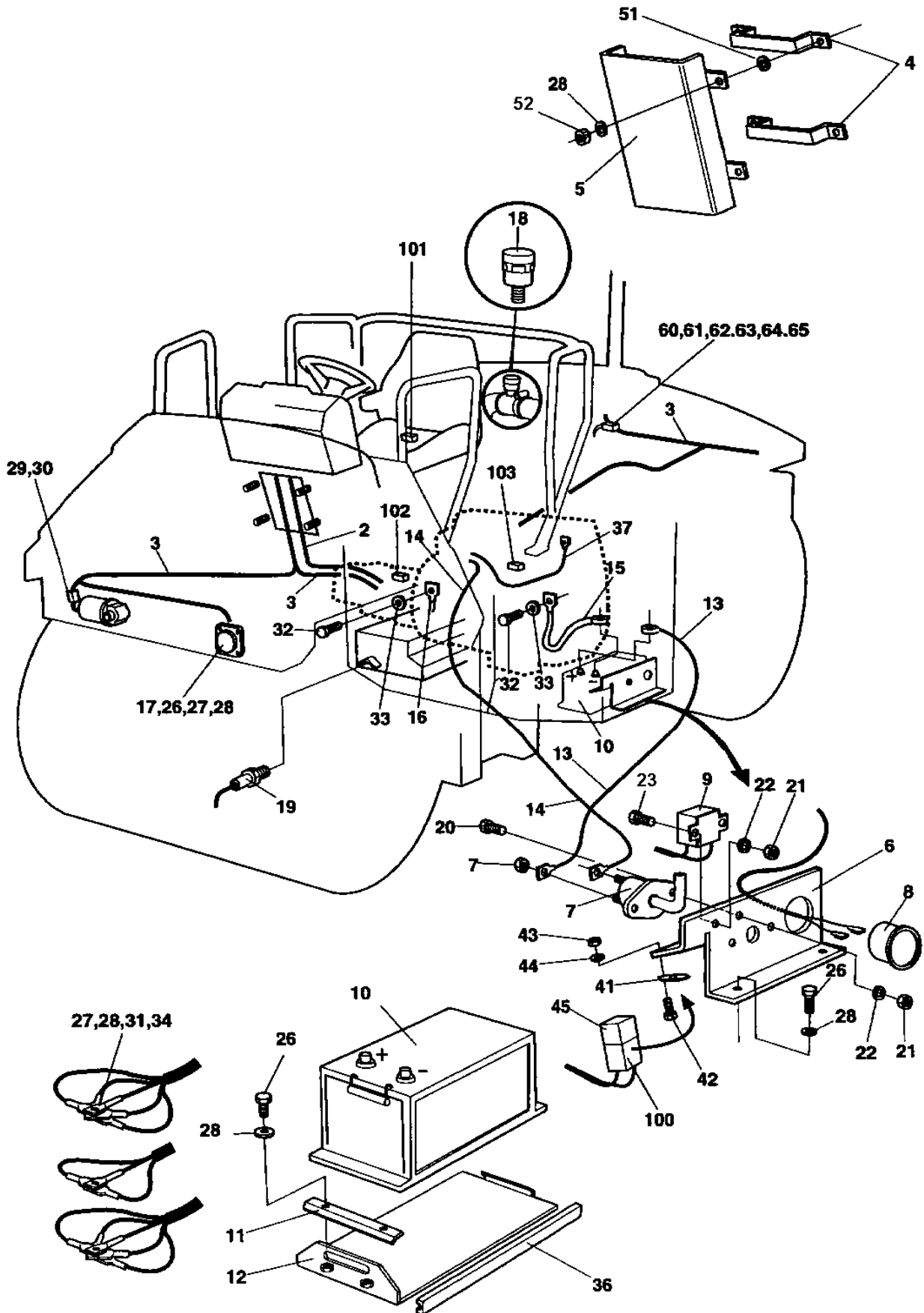
A) Included in pos 10



Brake system

Ref. No.	Part No.	Rem.	Qty	Description	Code
1	234233		3	Adapter	
2	483110		1	Hydraulic hose	
3	482746		1	Hydraulic hose	
4	234746		1	Connector	
5	483069		1	Hydraulic hose	
6	813321		1	Elbow 90	
7	801781		1	Connector	
8	234687		2	Adapter	
9	801781		2	Connector	

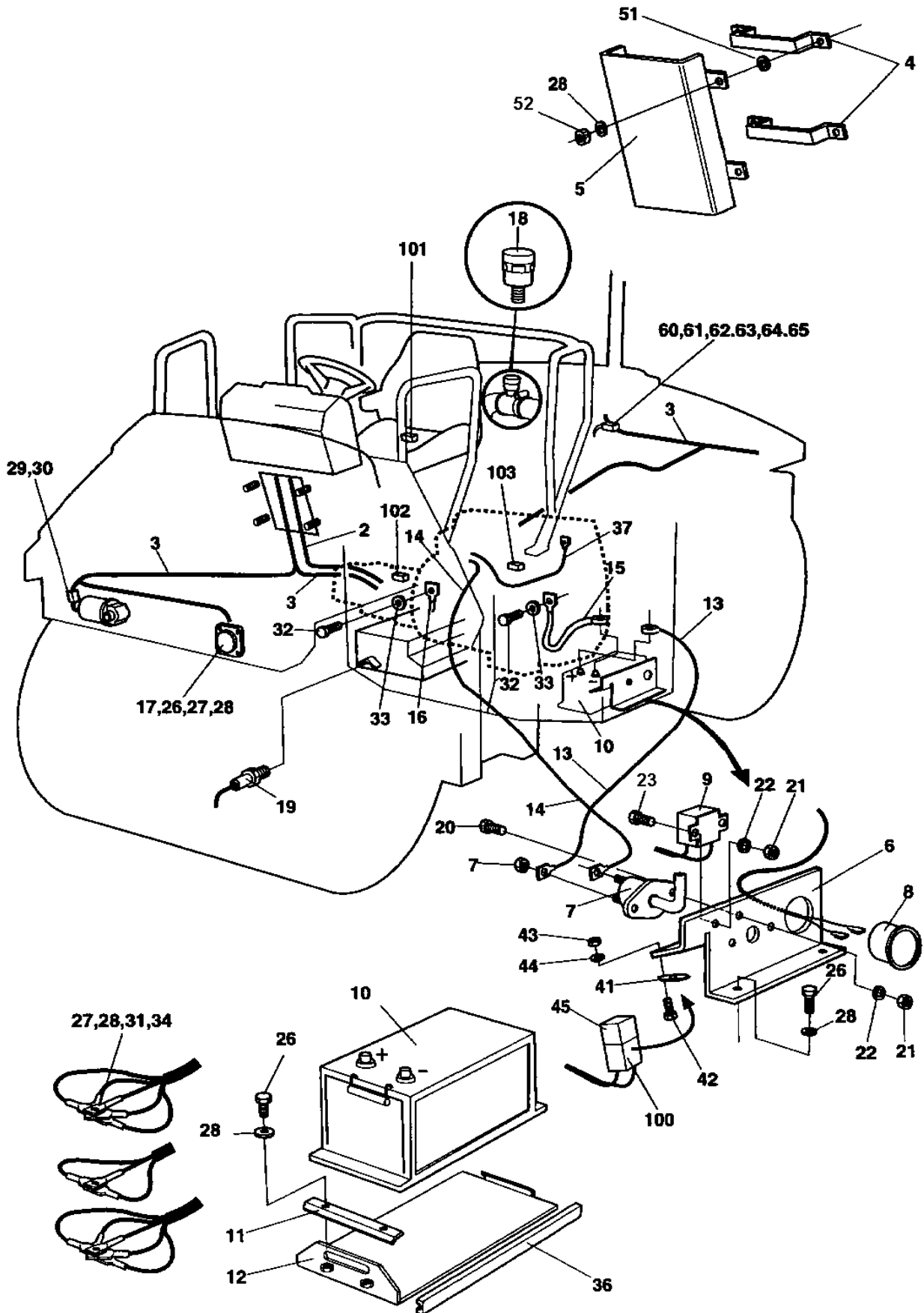
Ref. No.	Part No.	Rem.	Qty	Description	Code
100				Electrical equipment (Page 182)	
150				Electrical equipment, additional for cab (Page 186)	
200				Instrument box (Page 188)	
300				Instrument panel, main (Page 190)	
305				Speed and frequency, sensors (Page 192)	
325				Instrument panel, upper left (Page 194)	
350				Instrument panel, upper right (Page 196)	
375				Instrument panel, lower left (Page 198)	
400				Instrument panel, lower right (Page 200)	
450				Instrument panel, relay, fuses (Page 202)	
500				Emergency stop panel (Page 204)	
600				Driving lights Direction & licenseplate light Up to 62910638 (Page 206)	
635				Driving lights Direction & licenseplate light From 62910639 (Page 208)	
645				Working lights with/without Rops Up to 62910638 (Page 210)	
675				Working lights with/without Rops From 62910639 (Page 212)	
750				Working lights, cab (Page 214)	
770				Protection cover, Head light Option (Page 216)	
800				Rotating beacon (Page 218)	
850				Tachograph (Page 220)	
900				Offset drum Electrical equipment (Page 222)	



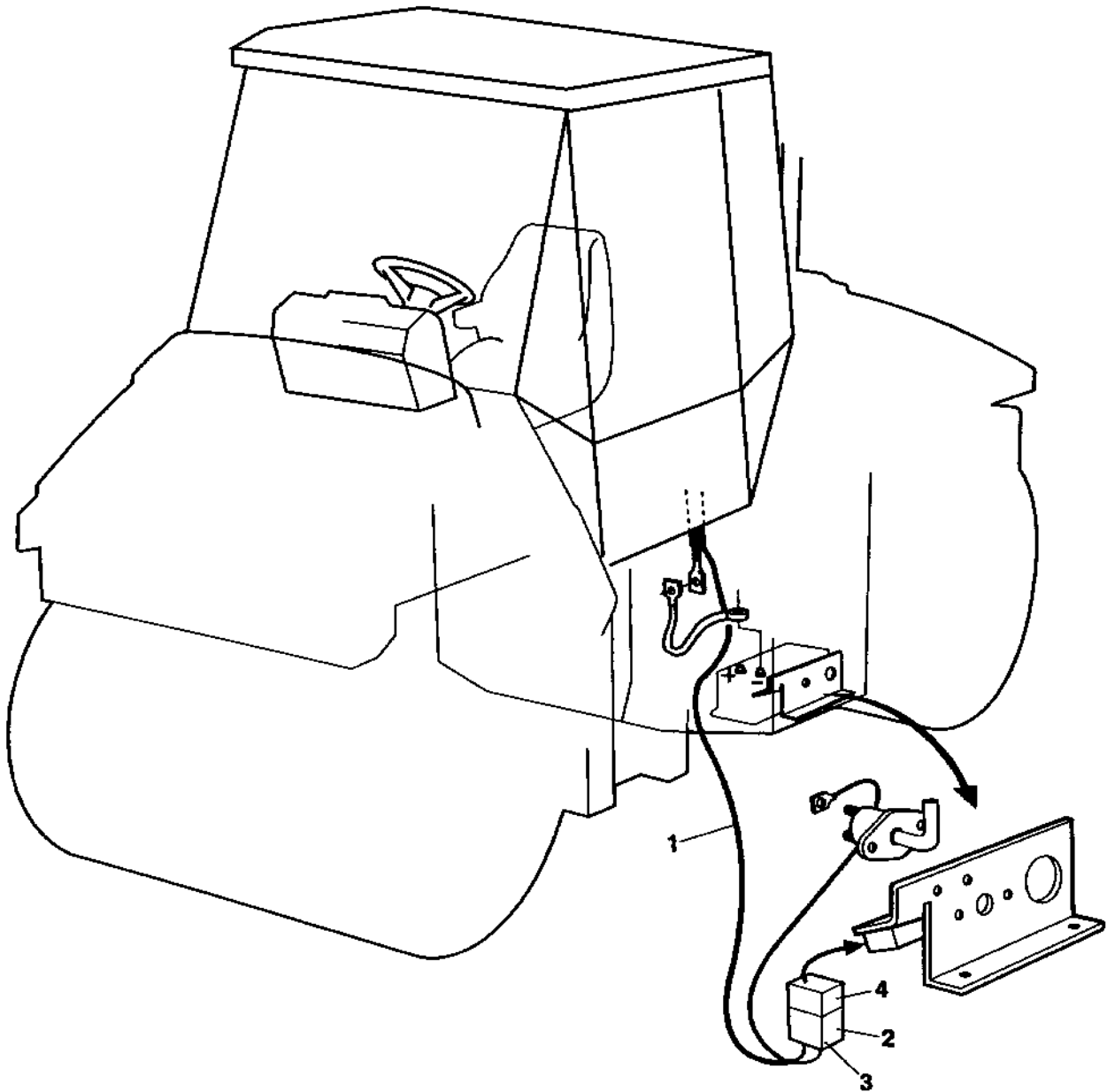
Ref. No.	Part No.	Rem.	Qty	Description	Code
1	370075		1	Control panel	
2	370763		1	Cable harness Up to 62910523	
	372860		1	Cable harness From 62910524 Up to 62910566	
	374452		1	Cable harness From 62910567 Up to 62910638	
	376192		1	Cable harness From 62910639	
3	373611		1	Cable harness Up to 62910570	
	374620		1	Cable harness From 62910571 Up to 62910638	
	376193		1	Cable harness From 62910639	
4	372775		2	Cable holder	
5	372774		1	Casing	
6	370783		1	Holder plate Up to 62910523	
	373000		1	Holder plate From 62910524	
7	930150		1	Battery switch	D
	928021		1	.Key	D
8	801567		1	Hour meter	
9	904448	A	2	Relay	D
10	470021	1	1	Battery	
11	371122		1	Battery holder	
12	376287		1	Battery holder	
13	348347		1	Battery cable	
14	901851		1	Connection cable	
15	903758		1	Battery cable	
16	903760		1	Connection cable	
17	999027		2	Horn	D
18	929023	B	1	Indicator	D
19	903631	C	1	Temperature sensor Hydraulic oil	D
20	500040		2	Screw M6-1x20 8,8	
21	586002		4	Lock nut M6	
22	904228		6	Washer 6,4x12x1,5	
23	500075		2	Screw M6-1x25 8,8	
26	500021		8	Screw M8-1,25x25 8,8	
27	586003		8	Lock nut M8	
28	904229		12	Washer 8,4x16x1,5	
29	901766		2	Connector 2-POL	D
30	960273		4	Terminal	
31	903768		6	Threaded stud	
32	500051		2	Screw M12-1,75x25 8,8	
33	904231		2	Washer 13x24x2	
34	570005		6	Nut M8	
36	371121		2	Slide rail	
37	903797		1	Connection wire Up to 62910566	
	903798		1	Connection wire From 62910567	
41	904036		1	Fuse holder	
42	500006		2	Screw M5x16	
43	586001		2	Lock nut M5	
44	904281		2	Washer 5,3x10x1	
45	904037		1	Fuse 30A	D
51	904044		4	Washer	
52	902286		4	Lock nut M8	
60	900798	D	1	Back-up alarm	

1) Dry charged. Have to be filled with battery acid and charged before use.

- A) Start
- B) Air filter
- C) Hydraulic oil
- D) Option



Ref. No.	Part No.	Rem.	Qty	Description	Code
61	926611		2	Screw	
62	586001		2	Lock nut M5	
63	904281		2	Washer 5,3x10x1	
64	901766		1	Connector 2-POL	D
65	960273		2	Terminal	
100	904032	E	1	Fuse holder	
101		F	1	Seat switch	
102		G	1	Neutral start switch	
103		H	1	Stop solenoid	
E)	Incl in cable harness				
F)	See group 70				
G)	See group 50				
H)	See group 30				

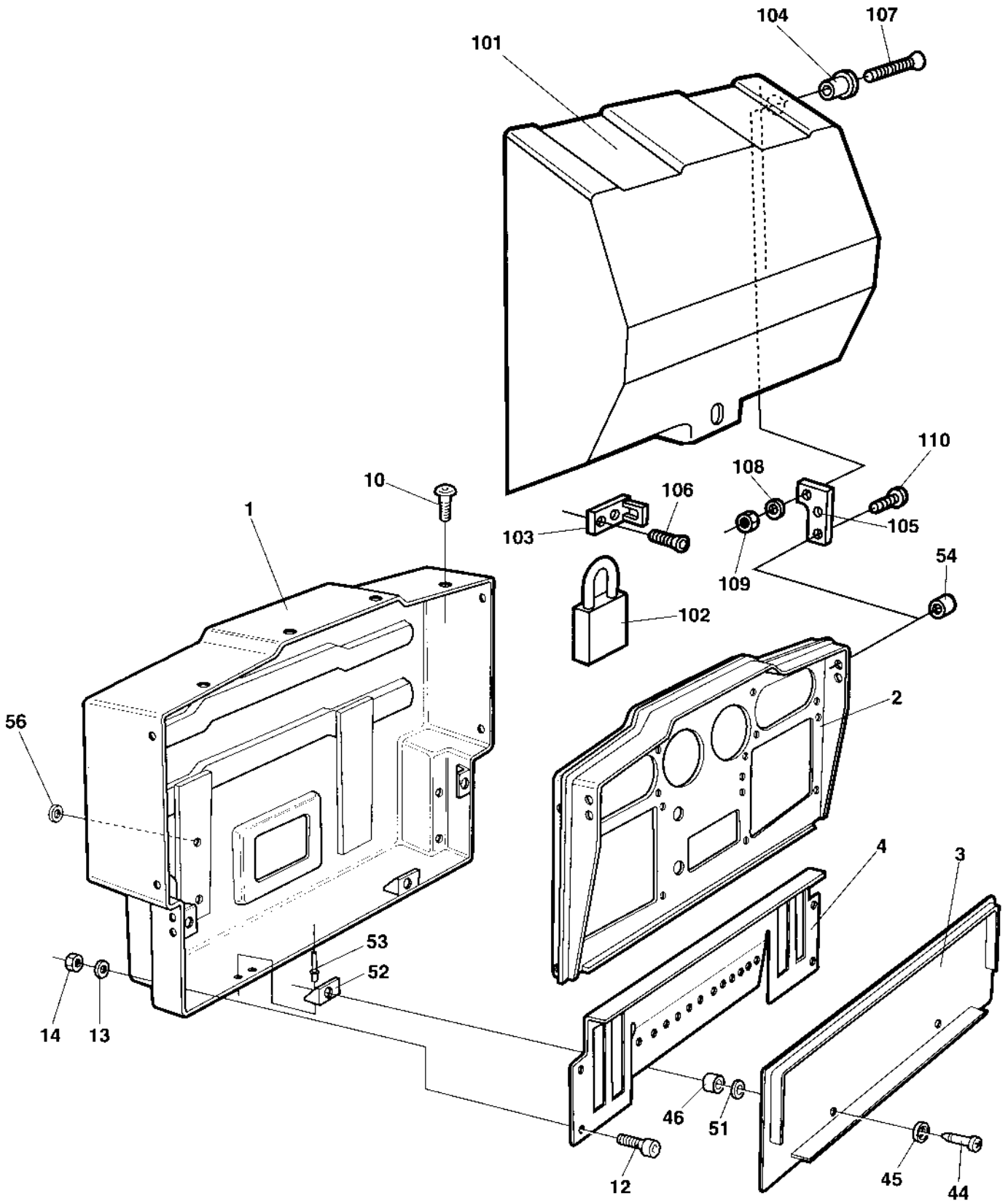


Electrical equipment, additional for cab

Ref. No.	Part No.	Rem.	Qty	Description	Code
1	371079	A	1	Cable harness Up to 62910638	
	376198	A	1	Cable harness From 62910639	
2	904032	B	1	.Fuse holder	
3	904031	B	2	.Terminal	
4	904041		1	Fuse 70A	

A) Cabin main support

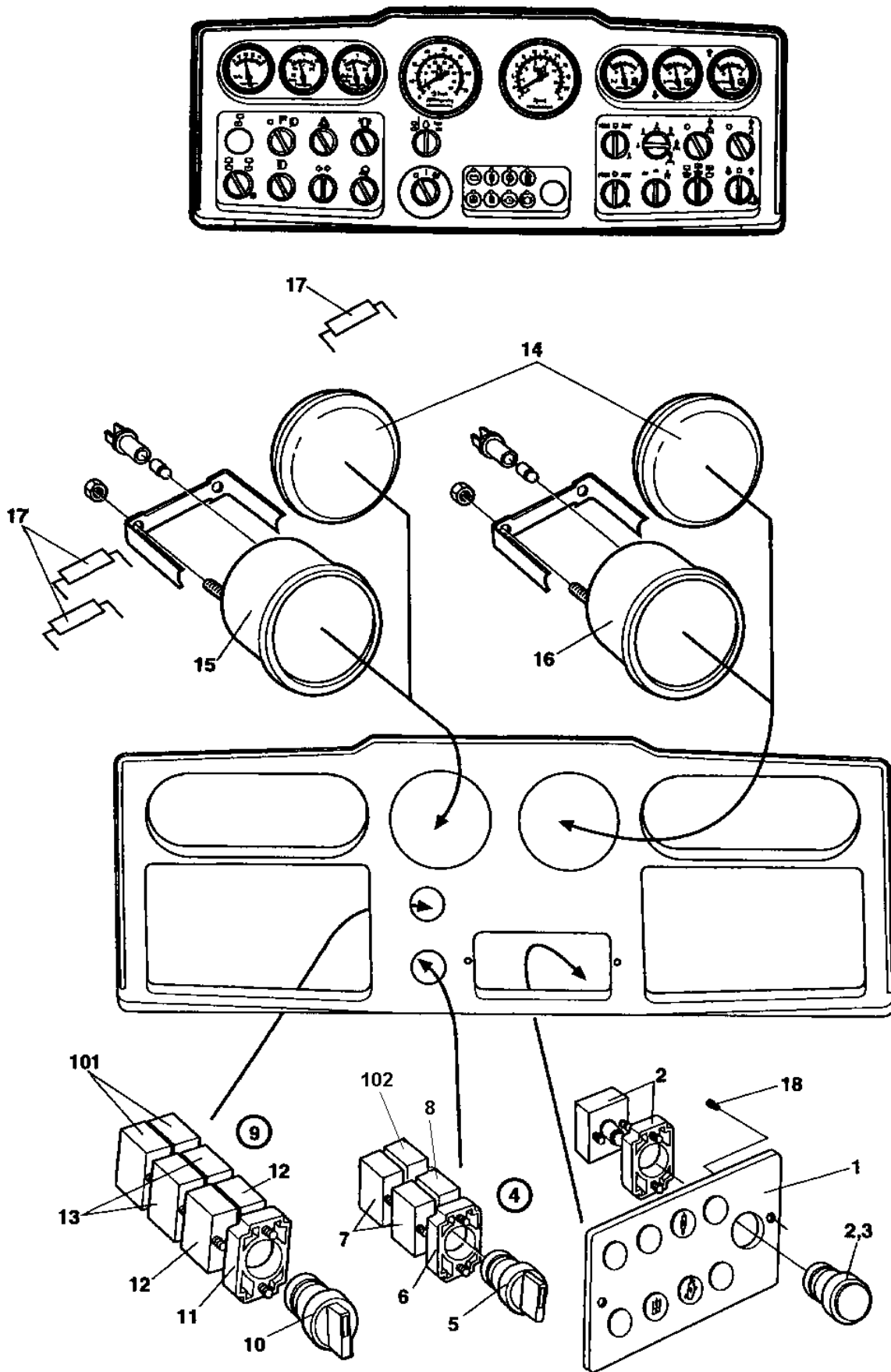
B) Included in item 1



Instrument box

Ref. No.	Part No.	Rem.	Qty	Description	Code
1	359843		1	Instrument box Up to 62910566	
	374105		1	Instrument box From 62910567	
2	359844		1	Control panel Up to 62910566	
	374379		1	Control panel From 62910567	
3	359845		1	Cover	
4	370165		1	Relay bracket	
10	903658		8	Screw M5x10	
12	500040		4	Screw M6-1x20 8,8	
13	600004		4	Washer	
14	902285		4	Lock nut M6	
44	903599		4	Trunnion	
45	903600		4	Rubber washer	
46	903601		4	Washer	
51	903678		4	Rubber washer	
52	903602	A	4	Lock device	
53	903436	A	8	Blind rivet	
54	903653		4	Plug	
56	903961	A	4	Washer	
100			1	Control panel cover Option	
101	372103		1	.Cover	
102	358881		1	.Pad lock	
103	372104		1	.Eyelet	
104	357855		2	.Bushing	
105	372105		2	.Bracket	
106	904207		2	.Screw	
107	904208		2	.Screw	
108	600004		2	.Washer	
109	586002		2	.Lock nut M6	
110	903658		4	.Screw M5x10	

A) Included in Ref. 1



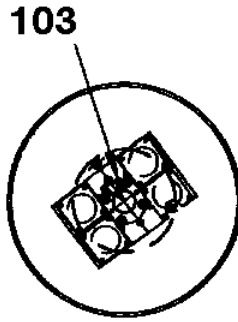
Instrument panel, main

Ref. No.	Part No.	Rem.	Qty	Description	Code
1	370170		1	Display	D
2	985146	A	1	Pilot lamp cpl Red	D
3	985012		1	Bulb	D
4		B	1	Switch, cpl	D
5	932050		1	.Switch	
6	903876		1	.Connector	
7	930154		2	.Contact piece	
8	930163		1	.Contact piece	D
9		C	1	Switch, cpl	D
10	932058		1	.Switch	D
11	903876		1	.Connector	
12	930163		2	.Contact piece	D
13	930154		2	.Contact piece	
14	345139		2	Hole plug	
15	371274		1	Tachometer and frequency meter	D
			1	Bulb	D
		D	1	Sensor	D
16	359347		1	Speedometer	
			1	Bulb	
		D	1	Sensor	
17	357526		3	Resistor	
18	903657		2	Screw	
101	930163	E	2	Contact piece	D
102				Not used on this model	D

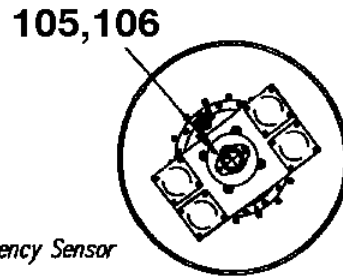
- A) Main warning
- B) Start
- C) Freq/tacho selector
- D) See speed and frequency sensors
- E) Option tachograph

Speed and frequency, sensors

15937

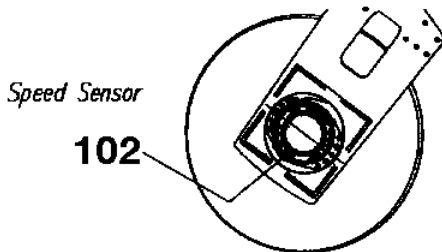
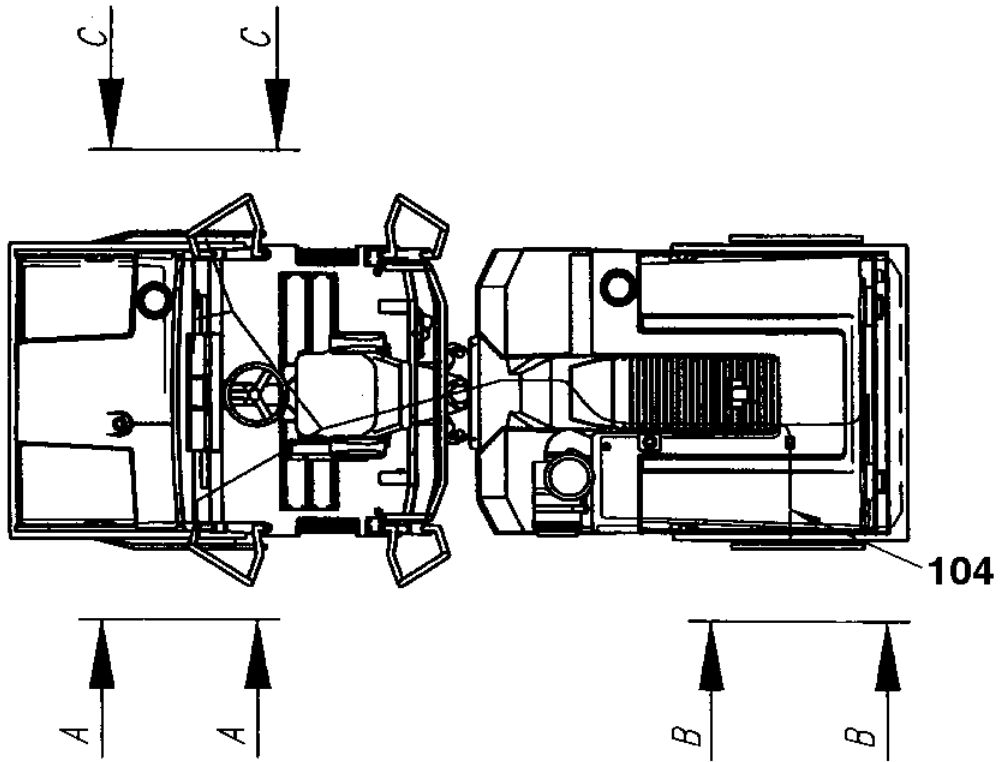


CC 422/522
CC 422C/522C
CC 622
C-C

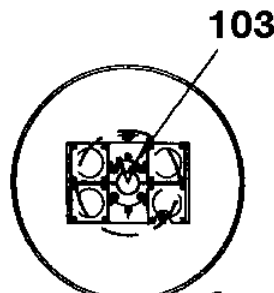


Frequency Sensor

CC 432
CC 432C
C-C

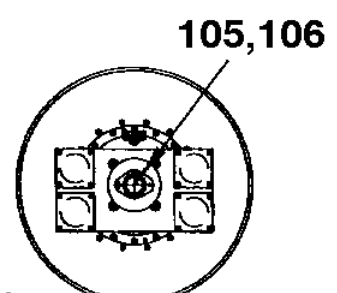


A - A



CC 422/522
CC 622

B-B



Frequency Sensor

CC 432

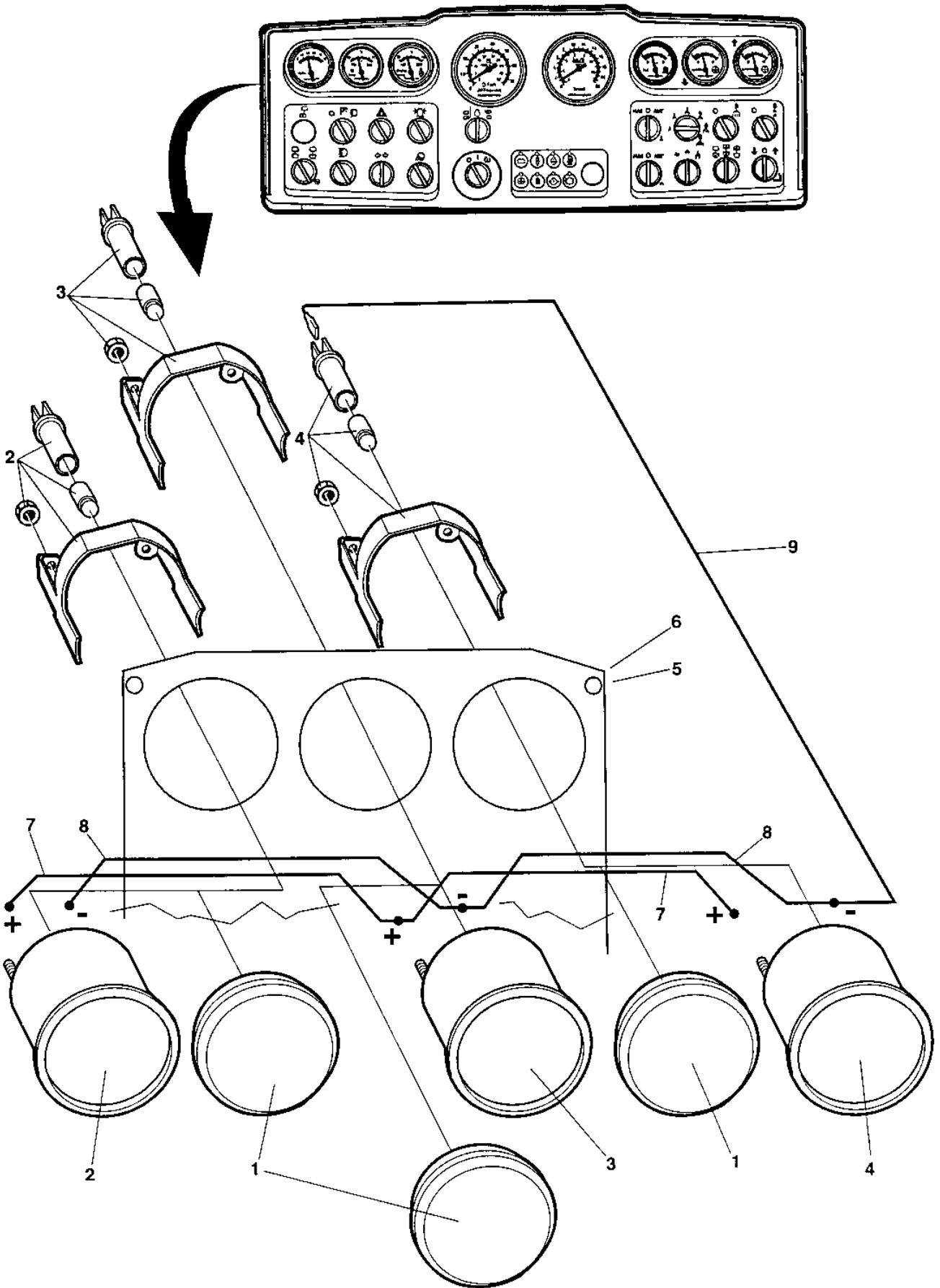
B-B

Speed and frequency, sensors

Ref. No.	Part No.	Rem.	Qty	Description	Code
102	372576	A	1	Sensor M12-1	
103	372618	B	2	Sensor 3/4-16	
104	372918		1	Cable harness Up to 62910638	
	376177		1	Cable harness From 62910639	
A)	Read workshop manual for adj. of sensors. Item 102 is used both as speed and frequency sensor				
B)	Read your workshop manual for adjustment of teh sensors				

Instrument panel, upper left

15708-2



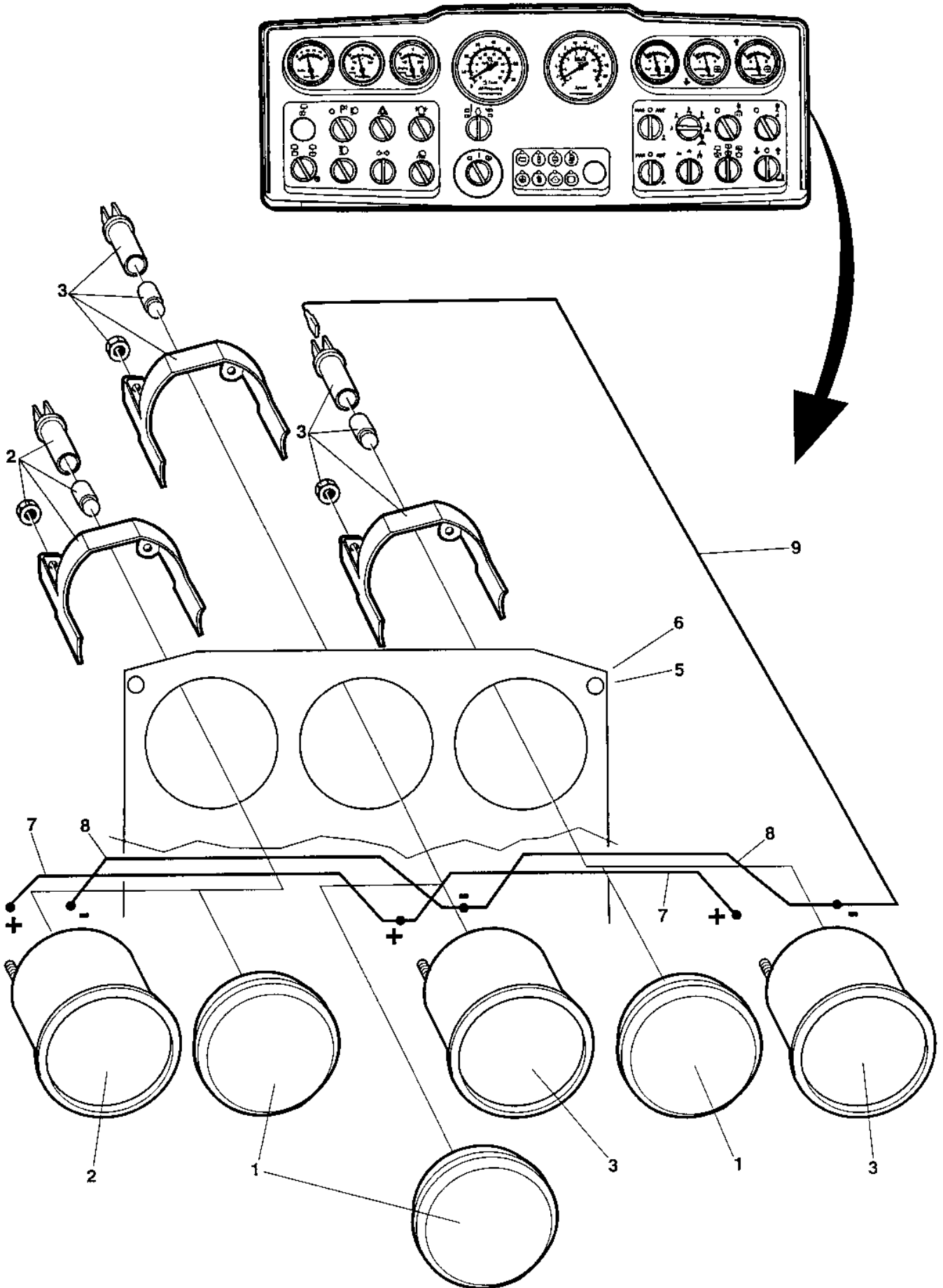
Instrument panel, upper left

Ref. No.	Part No.	Rem.	Qty	Description	Code
1	345870		3	Plug	
2	359340		1	Volt meter	D
	355258		1	.Lamp holder	
	985012		1	.Bulb	D
3	359341	A	1	Temperature meter hydraulic oil Option	D
	355258		1	.Lamp holder	
	985012		1	.Bulb	D
		1	1	Temperature sender	D
4	359342	B	1	Water temperature gauge	
	355258		1	.Lamp holder	
	985012		1	.Bulb	D
		2	1	Temperature sender	D
5		3	1	Control panel plate	D
6		3		Screw	D
7	343550		2	Connection cable	
8	903927		2	Cable	
9	904016		2	Cable	

- 1) See section " Electrical equipment "
- 2) See sektion " Engine "
- 3) See section " Instrument panel, lower left "
- A) Hydraulic oil
- B) Engine oil

Instrument panel, upper right

15709-2



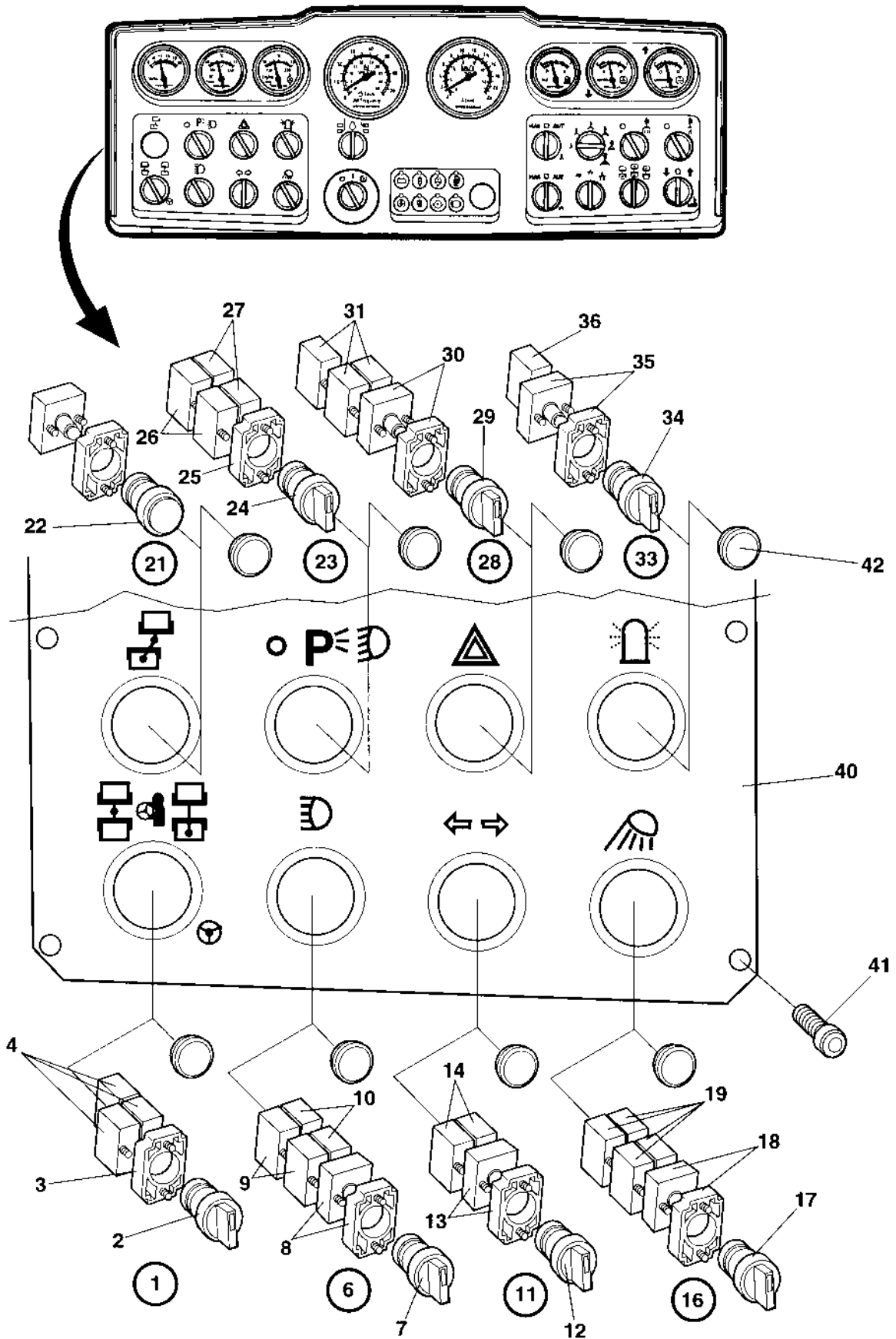
Instrument panel, upper right

Ref. No.	Part No.	Rem.	Qty	Description	Code
1	345870		3	Plug	
2	359343		1	Fuel gauge	D
	355258		1	.Lamp holder	
	985012		1	.Bulb	D
		1	1	Fuel level sender	D
3	359344	A	2	Water gauge	D
	355258		1	.Lamp holder	
	985012		1	.Bulb	D
		2	2	Water level sender	D
5		3	1	Control panel plate	D
6		3	6	Screw	D
7	343550		2	Connection cable	
8	903927		2	Cable	
9	904016		3	Cable	

- 1) See section " Fuel system "
- 2) See section " Sprinkler system, tanks "
- 3) See section " Instrument panel, lower right "
- A) Sprinkler tanks

Instrument panel, lower left

15706-3



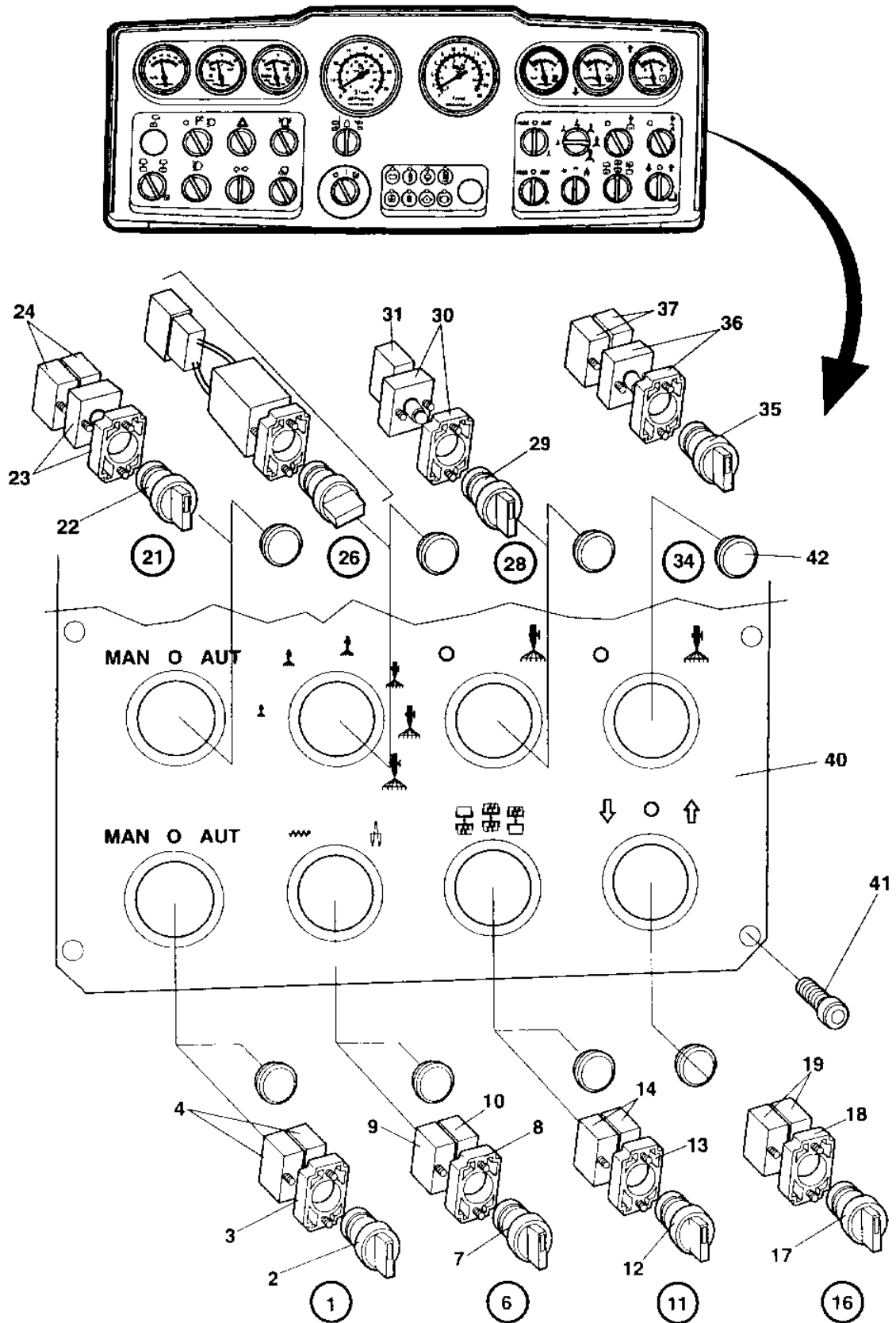
Instrument panel, lower left

Ref. No.	Part No.	Rem.	Qty	Description	Code
1			1	Switch, cpl Artic / Pivot steering	
2	930192	1	1	.Switch Up to 62910638	D
	932058	2	1	Switch From 62910639	D
3	903876		1	.Connector	
4	930163	1	2	.Contact piece	D
	930163	2	3	.Contact piece	D
6			1	Switch, cpl Main beam	D
7	932057	C	1	Switch	
8	903875		1	.Flange with light	
	985012		1	Bulb	D
9	930154		2	.Contact piece	
10	930163		2	.Contact piece	D
11			1	Switch, cpl Direction indicator	D
12	930161	E	1	.Switch	D
13	903875		1	.Flange with light	
	985012		1	Bulb	D
14	930163		2	.Contact piece	D
16			1	Switch, cpl Working light	D
17	930166	O	1	.Switch	D
18	903875		1	.Flange with light	
	985012		1	Bulb	D
19	930163		4	.Contact piece	D
21	932059	G	1	Pilot lamp cpl Yellow	
	985012		1	Bulb	D
22	903716		1	.Lamp glass Yellow	
23			1	Switch, cpl Parking dipped beam	
24	932058	I	1	.Switch	D
25	903876		1	.Connector	
26	930154		2	.Contact piece	
27	930163		2	.Contact piece	D
28			1	Switch, cpl Hazard flasher	D
29	932056	K	1	.Switch	D
30	903875		1	.Flange with light	
	985012		1	Bulb	D
31	930163		3	.Contact piece	D
33			1	Switch, cpl Rotating beacon	D
34	930166	O	1	.Switch	D
35	903875		1	.Flange with light	
	985012		1	Bulb	D
36	930163		1	.Contact piece	D
40	373581	M	1	Control panel plate	
41	903657		4	Screw	
42	911456	N	-	Hole plug	

- 1) Two fixed positions
- 2) Three fixed positions
- C) Blue
- E) Green
- G) Drum position
- I) Black
- K) Red
- M) Switches instrument
- N) Quantity as required
- O) Yellow

Instrument panel, lower right

15707-1



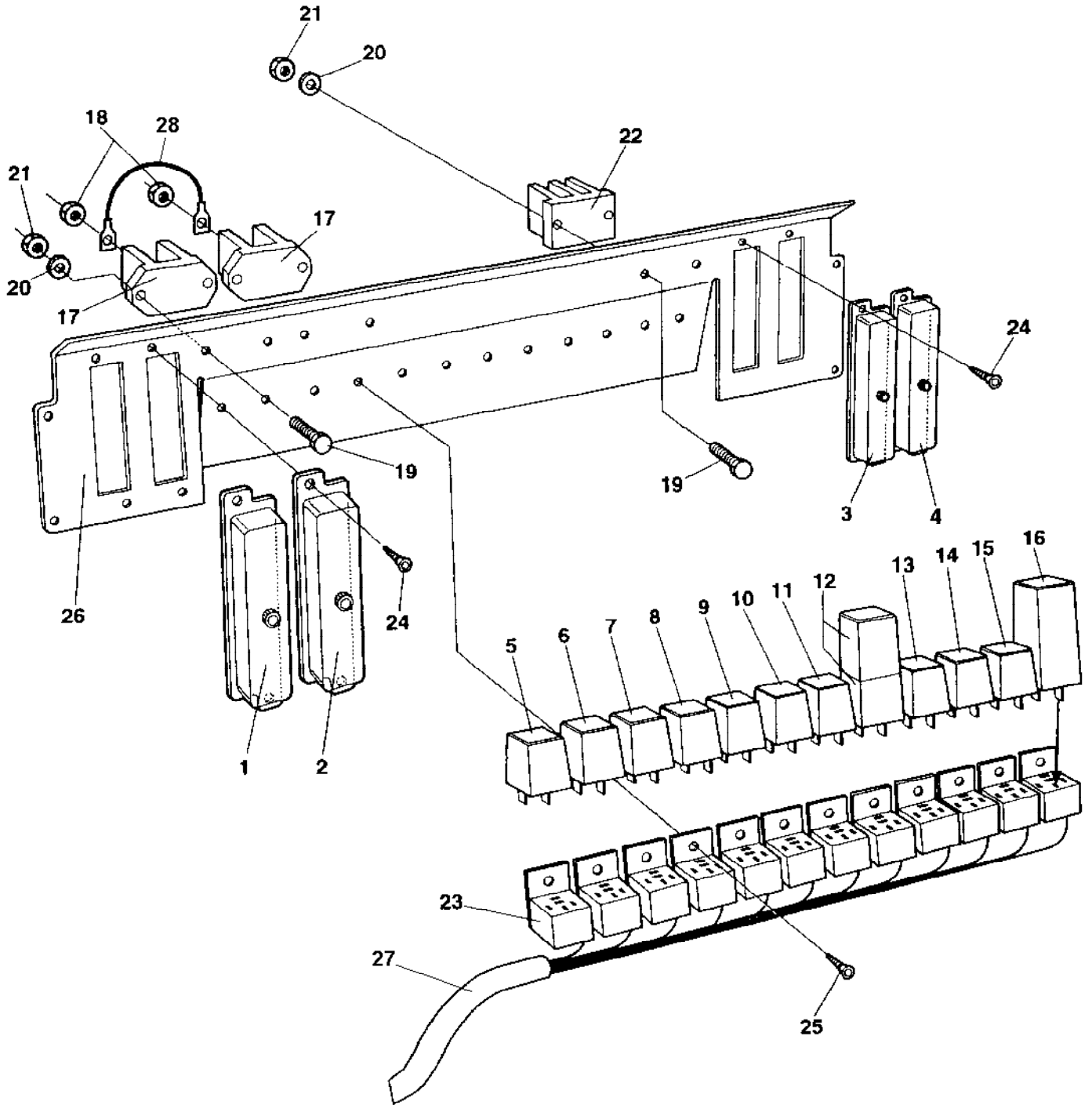
Instrument panel, lower right

Ref. No.	Part No.	Rem.	Qty	Description	Code
1			1	Switch Vibration man/aut	
2	932058	B	1	.Switch	D
3	903876		1	.Connector	
4	930163		2	.Contact piece	D
6			1	Switch Amplitud selector	D
7	930192	B	1	.Switch	D
8	903876		1	.Connector	
9	930163		1	.Contact piece	D
10	930154		1	.Contact piece	
11			1	Switch Vibration selector	
12	932058	B	1	.Switch	D
13	903876		1	.Connector	
14	930163		2	.Contact piece	D
16			1	Switch Edge cutter up-down	D
17	925713	B	1	.Knob	
18	903876		1	.Connector	
19	930163		2	.Contact piece	D
21			1	Switch Sprinkler man/aut	D
22	926989	G	1	.Switch	
23	903875		1	.Flange with light	
	985012		1	.Bulb	D
24	930163		2	.Contact piece	D
26	370644	H	1	Switch, cpl	
28		I	1	Switch	
29	932057	G	1	.Switch	
30	903875		1	.Flange with light	
	985012		1	.Bulb	D
31	930163		1	.Contact piece	D
34			1	Switch Sprinkler edge cutter	D
35	932057	G	1	.Switch	
36	903875		1	.Flange with light	
	985012		1	.Bulb	D
37	930163		2	.Contact piece	D
40	373582		1	Control panel plate	
41	903657		6	Screw	
42	911456	K	-	Hole plug	

- B) Black
 G) Blue
 H) Sprinkler timer, used together with relay 374213
 I) Sprinkler tyres
 K) Quantily as required

Instrument panel, relay, fuses

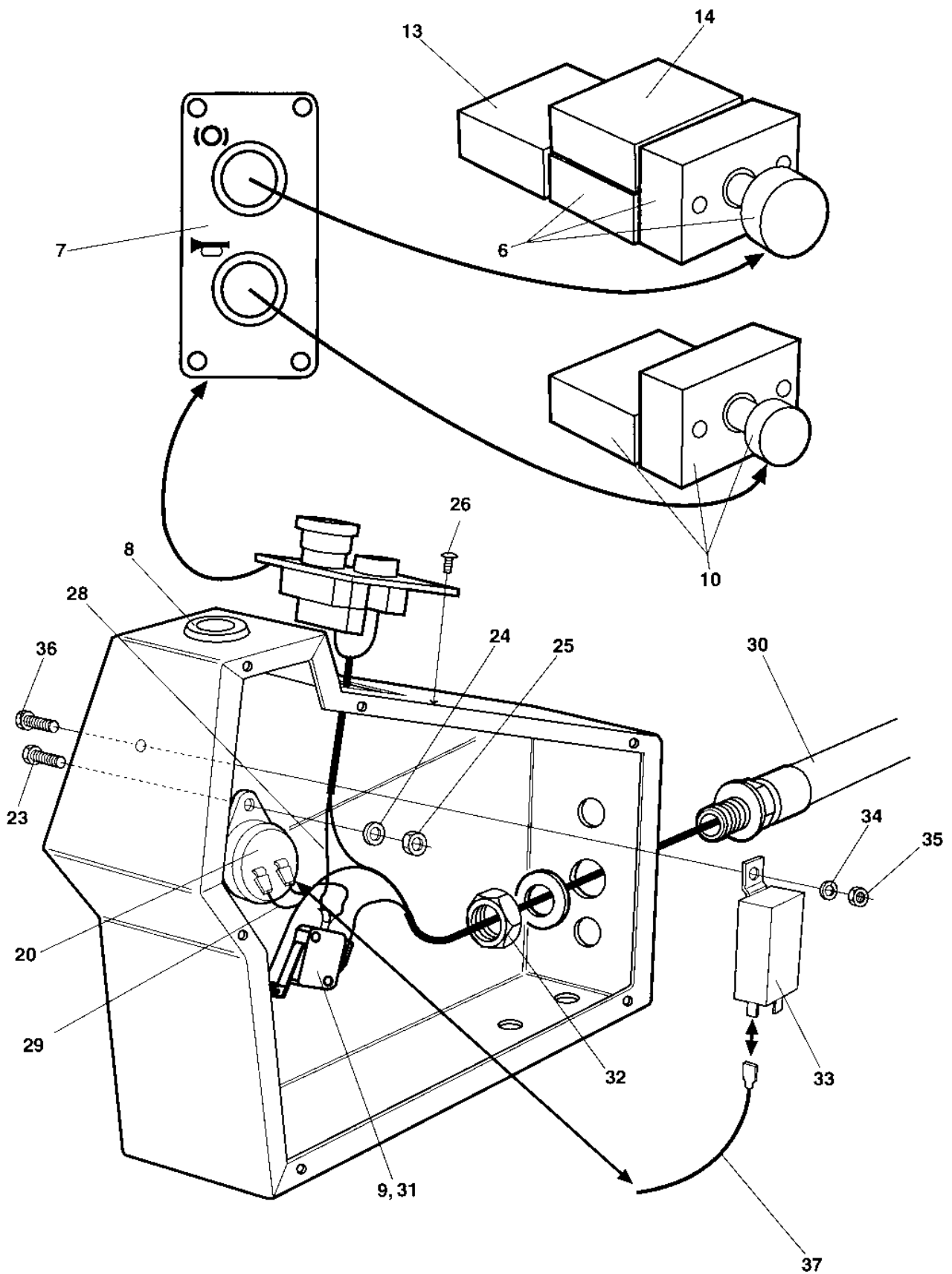
15790-1



Instrument panel, relay, fuses

Ref. No.	Part No.	Rem.	Qty	Description	Code
1	901256	A	1	Fuse box	
	908110		1	.Cover	
	901240		N	Connector	
	901225	B	N	Fuse 5A	D
	901226		N	Fuse 7.5A	D
	901227		N	Fuse 10A	D
	901228		N	Fuse 15A	B
	903741		N	Fuse 20A	D
	901229		N	Fuse 25A	B
2	901256		1	Fuse box	
3	901256		1	Fuse box	
4	901256		1	Fuse box	
5	287597	C	1	Relay	D
6	904989	D	1	Flash relay Option	D
7	287597	E	1	Relay	D
8	287597	F	1	Relay	D
9	287597	G	1	Relay	D
10	287597	H	1	Relay	D
11	287598	I	1	Relay	D
12	287597	J	1	Relay	D
	374213	K	1	Time relay	D
13	287598	L	1	Relay	D
14	287597	M	1	Relay	D
15	287597	N	1	Relay	D
16	370233		1	Relay, VBS	D
17	903627		2	Junction block	
18	902285		2	Lock nut M6	
19	533013		6	Screw M4x20	
20	904698		6	Washer 4,3x8x0,8	
21	923976		6	Nut	
22	903625		1	Junction block	
23		P	12	Relay holder	
24	901767		8	Screw	
25	902223		9	Screw	
26	370165		1	Relay bracket	
27	370161		1	Cable harness Up to 62910570	
	374615		1	Cable harness From 62910571 Up to 62910638	
	376174		1	Cable harness From 62910639	
28	371154		1	Cable Up to 62910638	
	903970		1	Cable From 62910639	

- A) Without fuses
- B) As required
- C) Main, lights
- D) Direction indicator
- E) Brake light
- F) Reversing alarm
- G) Fuel level
- H) Hour meter
- I) Horn
- J) Sprinkler
- K) Sprinkler, timer, used together with timer switch 370644
- L) Main
- M) AVC
- N) Neutral start
- P) Incl in cable harness

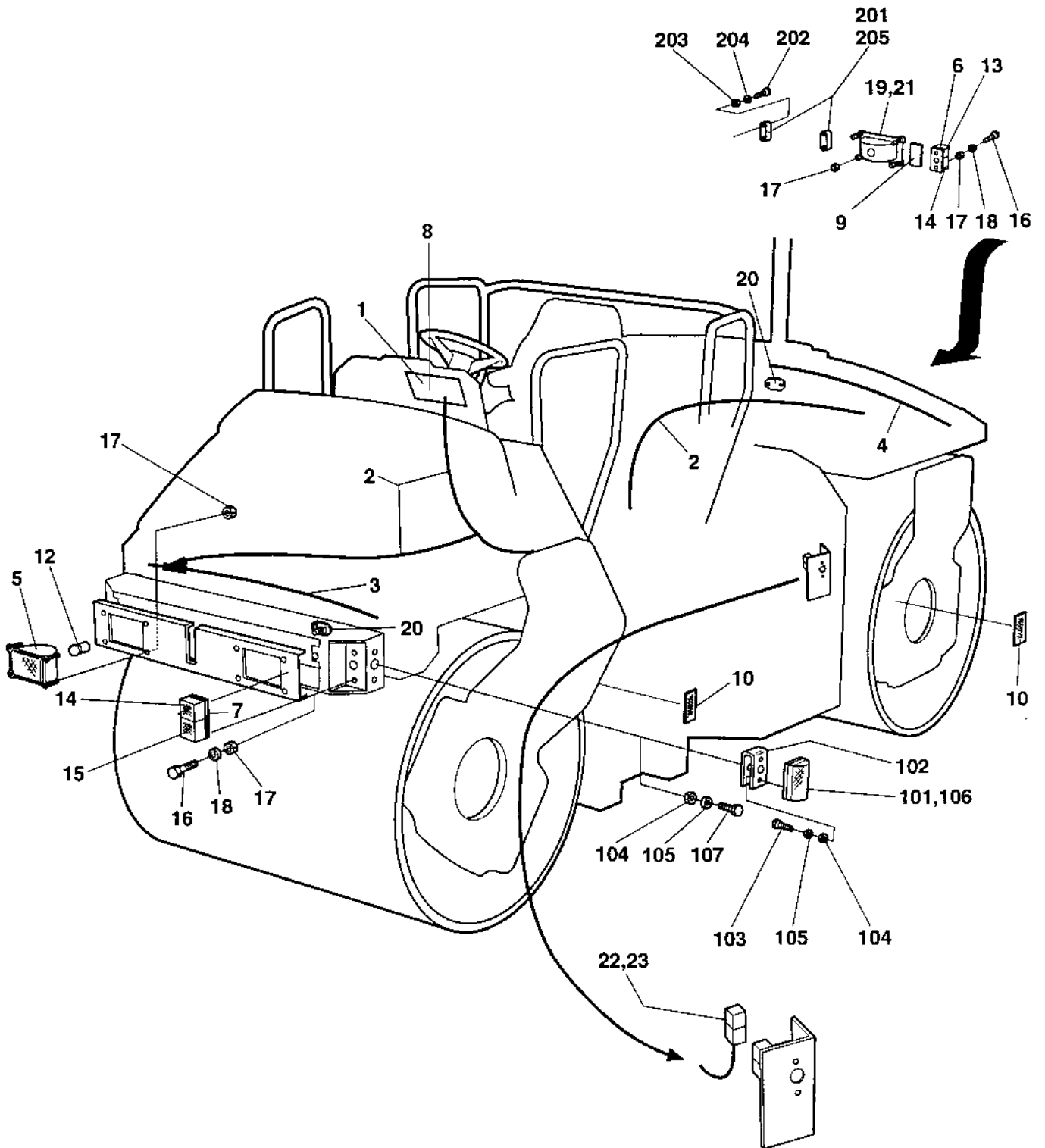


Ref. No.	Part No.	Rem.	Qty	Description	Code
6	930200		1	Emergency stop	D
	930154		1	.Contact piece	
7	359941		1	Control panel plate	
8	911456		1	Hole plug	
9	902528		1	Micro switch	
10	932032	A	1	Push button	D
	930163		1	.Contact piece	D
13	930154		1	Contact piece	
14	930163		1	Contact piece	D
20	355301		1	Buzzer	D
23	500086		1	Screw	
24	600002		1	Washer	
25	570002		1	Nut M4	
26	904206		4	Screw	
28	370118		1	Cable Up to 62910638	
	904597		1	Cable From 62910639	
29	960792		1	Cable	
30	370071		1	Cable harness Up to 62910638	
	376395		1	Cable harness From 62910639	
31	900528		2	Screw	
32	791253		1	Nut	
33	904704	B	1	Relay	
34	904228	B	1	Washer 6,4x12x1,5	
35	586002	B	1	Lock nut M6	
36	904650	B	1	Screw	
37	380708	B	1	Cable harness	

- A) Horn
B) Interlock, Option

Driving lights Direction & licenseplate light

15858-1



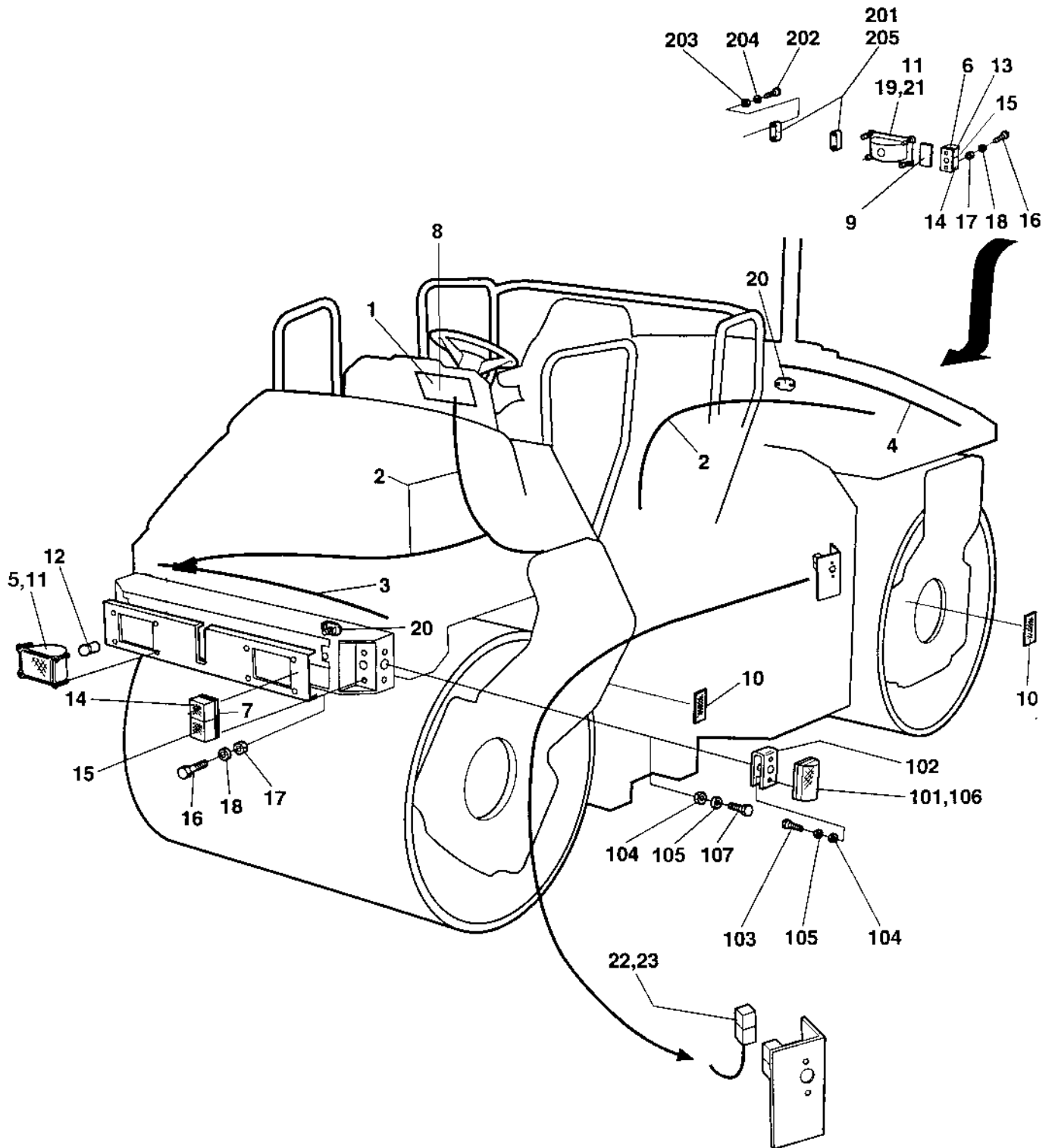
Driving lights Direction & licenseplate light

Ref. No.	Part No.	Rem.	Qty	Description	Code
			1	Driving lights	
1			1	Instrument panel, lower left (Page 198)	
2	373612		1	Cable harness Up to 62910570	
	374621		1	Cable harness From 62910571	
3	370695		1	Cable harness	
4	373614		1	Cable harness	
5	900792	A	2	Head light Up to 62910583	
	902066	A	2	Head light From 62910584	
	901994	B	2	Head light Up to 62910583	
	904313	B	2	Head light From 62910584	
6	900793	C	2	Tail light	
7	900794	D	2	Turn signals	
8	370744		1	Cable harness Up to 62910570	
	374616		1	Cable harness From 62910571	
9	901182		2	Reflector, red	B
10	901183		4	Reflector, yellow	B
12	900790		2	Bulb 60/55w H4	B
13	900791		2	Bulb	B
14	928502		4	Bulb 21w	B
15	985014		2	Bulb 5w	B
16	926611		8	Screw	
17	586001		16	Lock nut M5	
18	904281		8	Washer 5,3x10x1	
19	901993		2	Head light Up to 62910583	
	902227		2	Work light From 62910584	
20	903627		2	Junction block	
21	901369		2	Bulb 55w H3	B
22	904032	E	1	Fuse holder	
23	904039		1	Fuse 50A	D
101	902064		2	Direction lights	
102	372097		2	Bracket	
103	533031		8	Screw	
104	586001		8	Lock nut M5	
105	904281		8	Washer 5,3x10x1	
106	985013		2	Bulb 12V,5W	B
107	500006		2	Screw M5x16	
201	929455		2	Licence plate light	
202	533038		4	Screw	
203	586002		4	Lock nut M6	
204	904228		4	Washer 6,4x12x1,5	
205	985013		2	Bulb 12V,5W	B

- A) Right asym
- B) Left asym
- C) Yellow/red
- D) Yellow/white
- E) Incl in item 2

Driving lights Direction & licenseplate light

17044



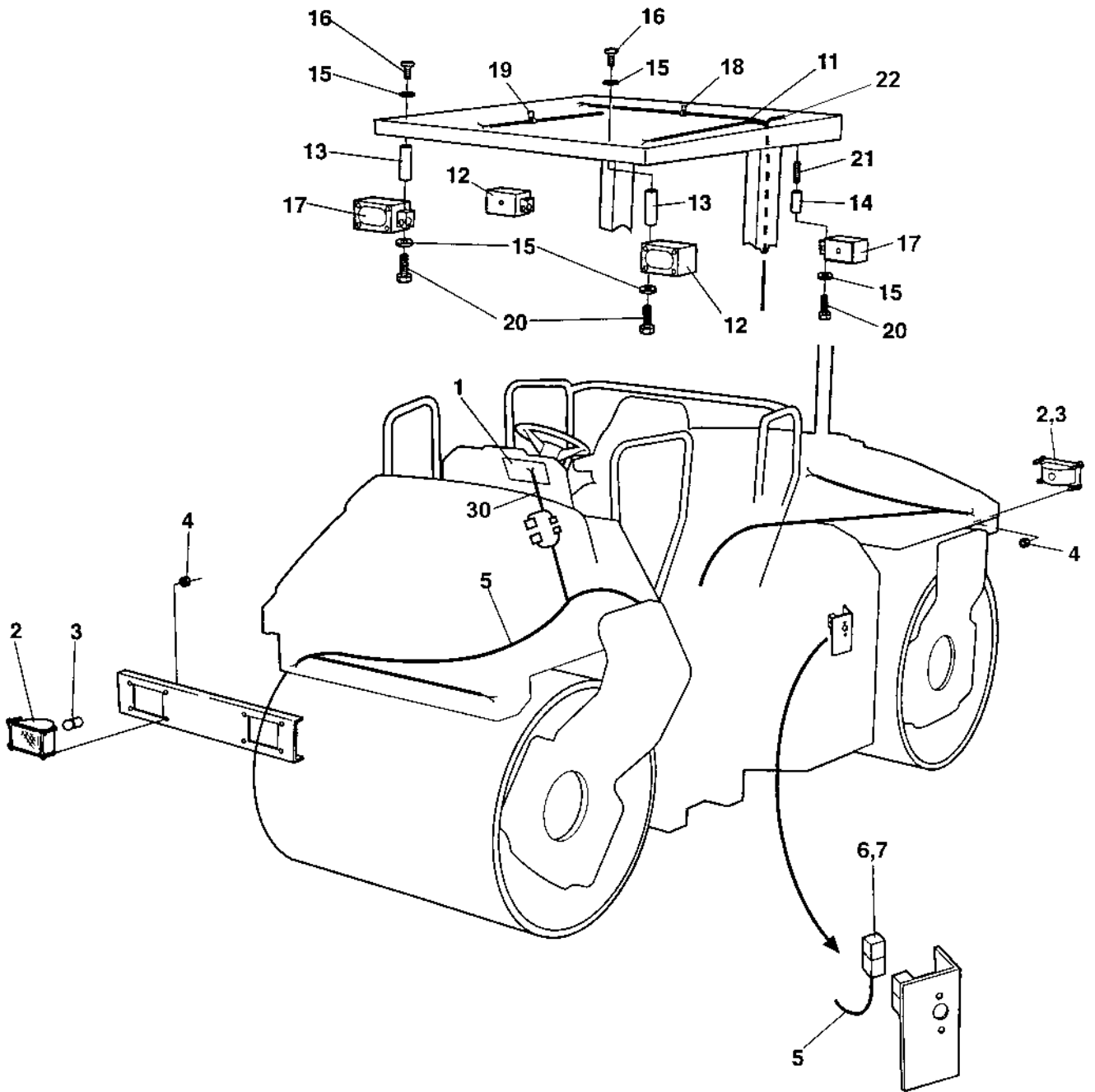
Driving lights Direction & licenseplate light

Ref. No.	Part No.	Rem.	Qty	Description	Code
			1	Driving lights	B
1			1	Instrument panel, lower left (Page 198)	
2	376194		1	Cable harness	
3	376195		1	Cable harness	
4	376196		1	Cable harness	
5	902066	A	2	Head light	
	904313	B	2	Head light	
6	904317	C,F	1	Direction lamp	
	937108		1	.Lamp glass	
	904318	C,G	1	Direction lamp	
	937109		1	.Lamp glass	
7	904315	D,H	1	Direction lamp	
	937106		1	.Lamp glass	
	904316	D,I	1	Direction lamp	
	937107		1	.Lamp glass	
8	376181		1	Cable harness	
9	901182		2	Reflector, red	B
10	901183		4	Reflector, yellow	B
11	791389		8	Drive screw	
12	900790		2	Bulb 60/55w H4	B
13	928502		2	Bulb 21w	B
14	928502		4	Bulb 21w	B
15	985014		4	Bulb 5w	B
16	533030		8	Screw	
17	586001		8	Lock nut M5	
18	601001		8	Washer	
19	902227		2	Work light	
20	903627		2	Junction block	
21	901369		2	Bulb 55w H3	B
22	904032	E	1	Fuse holder	
23	904039		1	Fuse 50A	D
101	902064		2	Direction lights	
102	372097		2	Bracket	
103	533031		8	Screw	
104	586001		8	Lock nut M5	
105	904281		8	Washer 5,3x10x1	
106	985013		2	Bulb 12V,5W	B
107	500006		4	Screw M5x16	
201	929455		2	Licence plate light	
202	533038		4	Screw	
203	586002		4	Lock nut M6	
204	904228		4	Washer 6,4x12x1,5	
205	985013		2	Bulb 12V,5W	B

- A) Right asym
- B) Left asym
- C) Yellow/red
- D) Yellow/white
- E) Incl in item 2
- F) Rear, left
- G) Rear, right
- H) Front, left
- I) Front, right

Working lights with/without Rops

15859-1



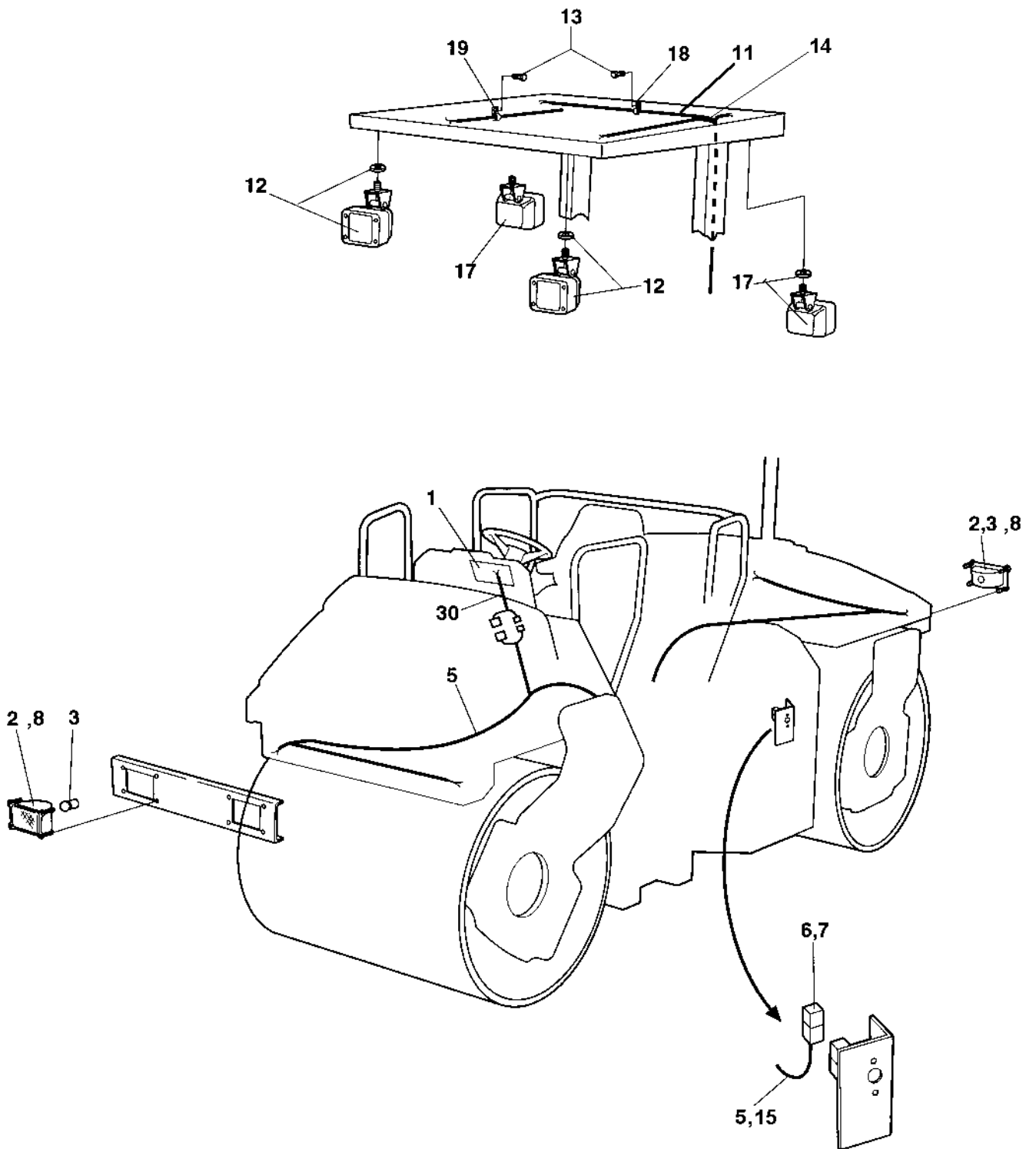
Working lights with/without Rops

Ref. No.	Part No.	Rem.	Qty	Description	Code
				Working light	B
1			1	.Control panel	B
2	901993	A	4	.Head light Up to 62910583	
	902227	A	4	.Work light From 62910584	
3	901369		4	.Bulb 55w H3	B
4	586001		16	.Lock nut M5 Up to 62910583	
5	371840		1	.Cable harness Up to 62910523	
	373613		1	.Cable harness From 62910524 Up to 62910570	
	374622		1	.Cable harness From 62910571	
6	904032		1	..Fuse holder	
7	904038		1	.Fuse 40A	D
				Working light, rops	D
11	372562		1	.Cable harness	
12	908266		2	.Working light	D
13				Not used on this model	D
14	370994		2	.Spacer	
15	600006		4	.Washer	
16				Not used on this model	
17	908267		2	.Working light	D
18	921031		4	.Clamp	
19	921039		10	.Pipe clamp	
20	500019		4	.Screw M8-1,25x16 8,8	
21	903768		2	.Threaded stud	
22	921028		1	.Clamp	
30	370744		1	Cable harness Up to 62910570	
	374616		1	Cable harness From 62910571	

A) Working light

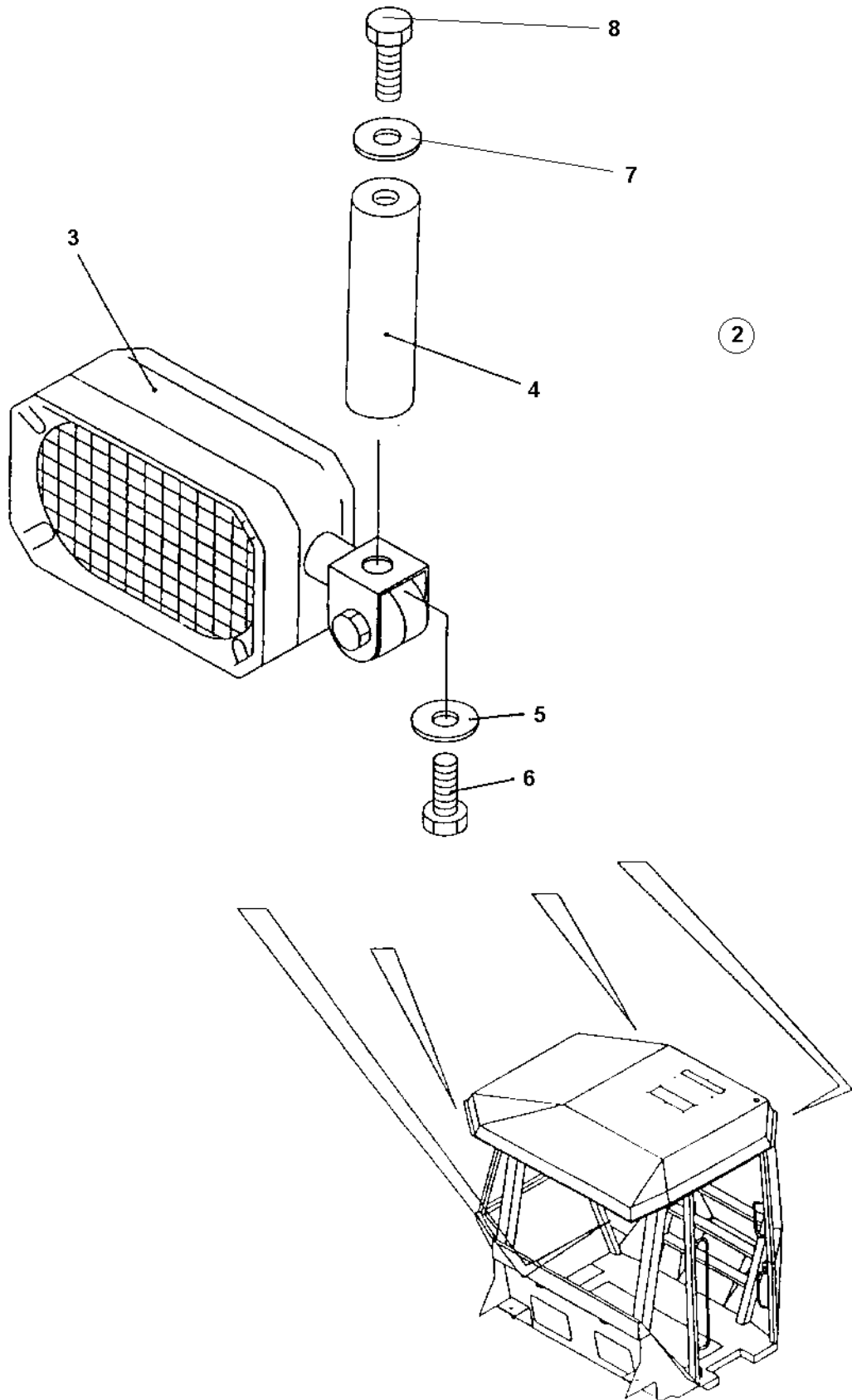
Working lights with/without Rops

17457

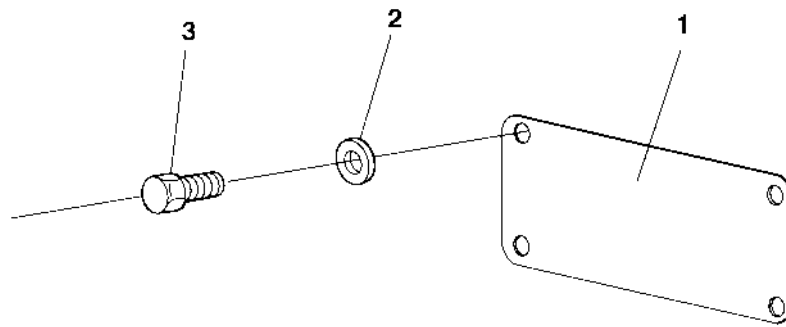


Working lights with/without Rops

Ref. No.	Part No.	Rem.	Qty	Description	Code
				Working light	
1			1	.Control panel	
2	902227		4	.Work light	
3	901369		4	.Bulb 55w H3	B
5	376197		1	.Cable harness	
6	904032		1	..Fuse holder	
7	904038		1	.Fuse 40A	D
8	791389		8	.Drive screw	
				Working light, rops	
11	376199		1	.Cable harness	
12	904314		2	.Work lamp	
13	541702		13	.Screw M6x12	
14	921028		1	.Clamp	
15	376245		1	.Cable harness	
17	904314		2	.Work lamp	
18	921031		4	.Clamp	
19	921039		8	.Pipe clamp	
30	385264		1	Cable harness	

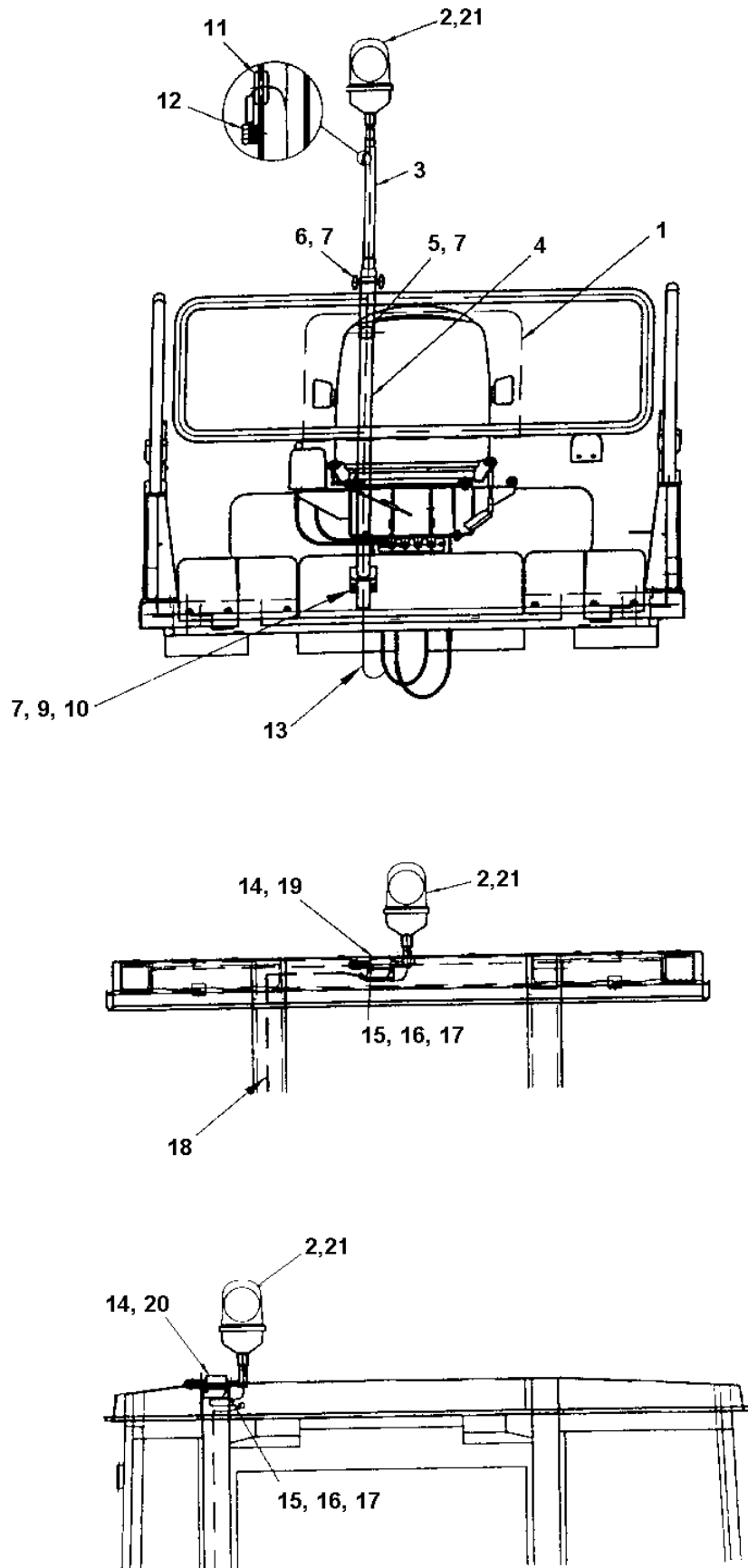


Ref. No.	Part No.	Rem.	Qty	Description	Code
1				Working lights, cab	
2	371750		4	.Head light cpl	
3	908267		1	..Working light	D
4	908359		1	..Distance	
5	600006		1	..Washer	
6	500019		1	..Screw M8-1,25x16 8,8	
7	600006		4	.Washer	
8	500019		4	.Screw M8-1,25x16 8,8	



Protection cover, Head light Option

Ref. No.	Part No.	Rem.	Qty	Description	Code
1	374756		1	Protection cover	
2	904281		4	Washer 5,3x10x1	
3	791916		4	Screw	



Rotating beacon

Ref. No.	Part No.	Rem.	Qty	Description	Code
				Std, rops, cab, cab with AC	
1		A	1	Control panel	
2	999011	1	1	Rotating beacon	D
	985126		1	.Bulb	B
	902803		1	.Lens Orange	B
3	371017	D	1	Lamp holder Model STD	
4	371016	E	1	Lamp holder Model STD	
5	371058		1	Nut Model STD	
6	371665		2	Hand knob Model STD	
7	904229		7	Washer 8,4x16x1,5 Model STD	
	904229		2	Washer 8,4x16x1,5 Model CAB w AC	
9	500021		4	Screw M8-1,25x25 8,8 Model STD	
	500021		2	Screw M8-1,25x25 8,8 Model CAB w AC	
10	570005		4	Nut M8 Model STD	
11	909152		1	Rubber grommet Model STD	
12	500044		1	Screw M6x8 Model STD	
13	371036		1	Cable harness Up to 62910638 Model STD	
	376184		1	Cable harness From 62910639	
14	358452		1	Lamp holder Model ROPS/CAB	
15	500021		2	Screw M8-1,25x25 8,8 Model ROPS/CAB/CAB AC	
16	586003		2	Lock nut M8 Model CAB/CAB AC	
17	904229		2	Washer 8,4x16x1,5 Model ROPS/CAB/CAB AC	
18	371036		1	Cable harness Model ROPS	
19	372674		1	Spacer Model ROPS	
20	371364		1	Lamp holder Model CAB w AC	
21	389577	2	1	Rotating beacon	D

1) Replaced by PN 389577.

2) Replaces PN 999011.

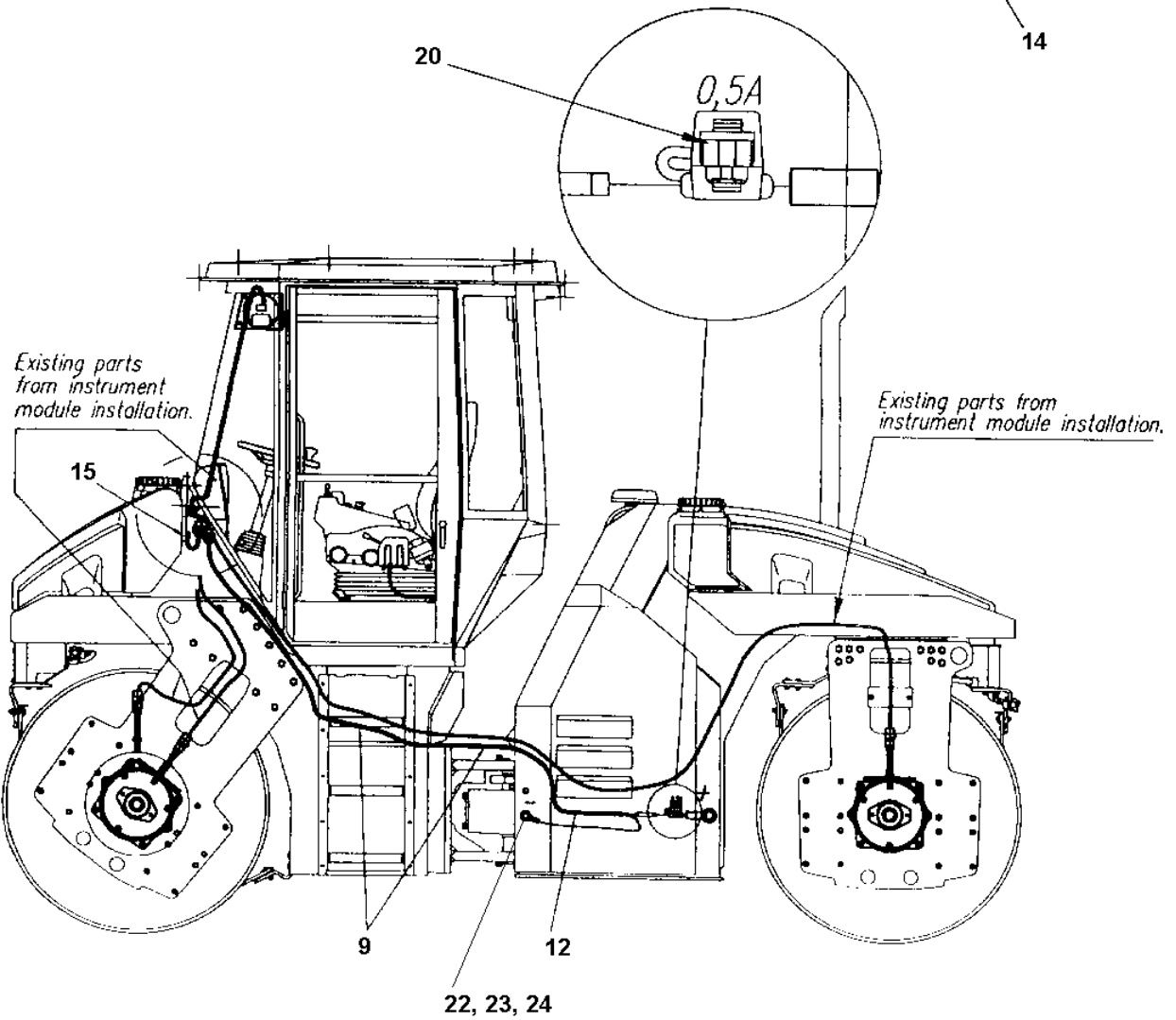
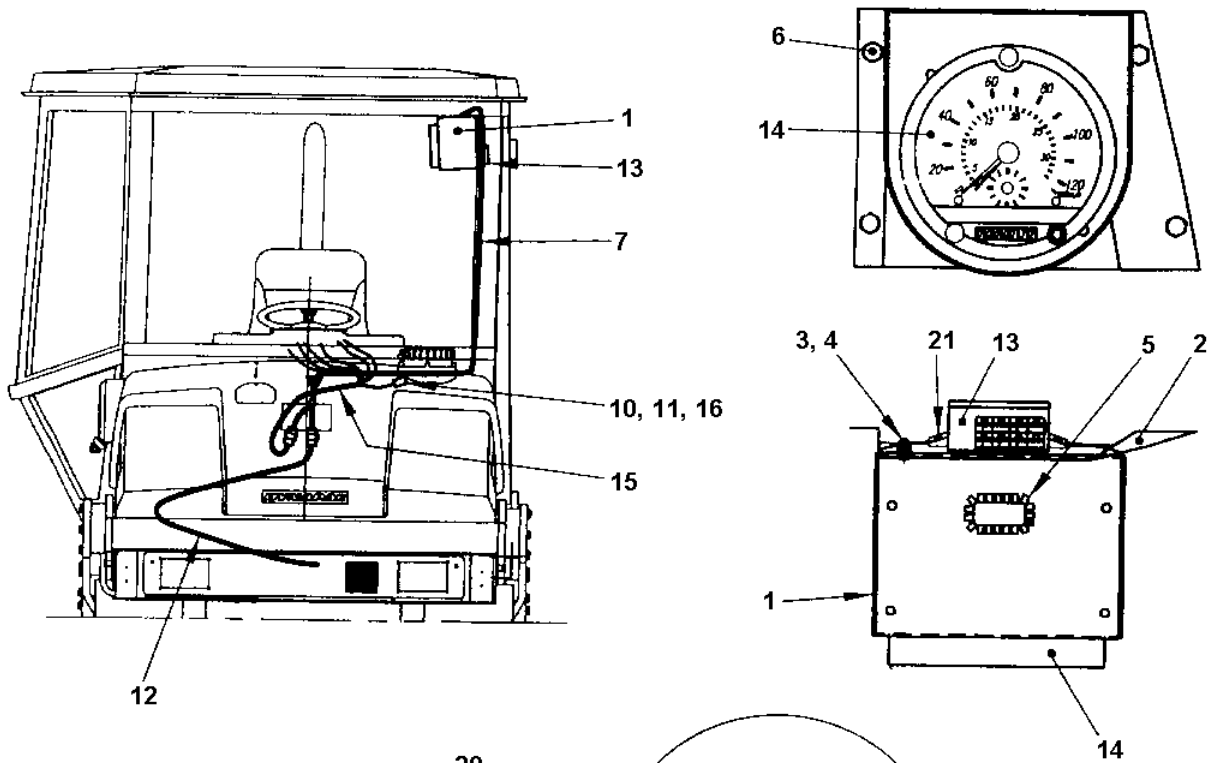
A) Lower left

D) Upper

E) Lower

Tachograph

15828-2



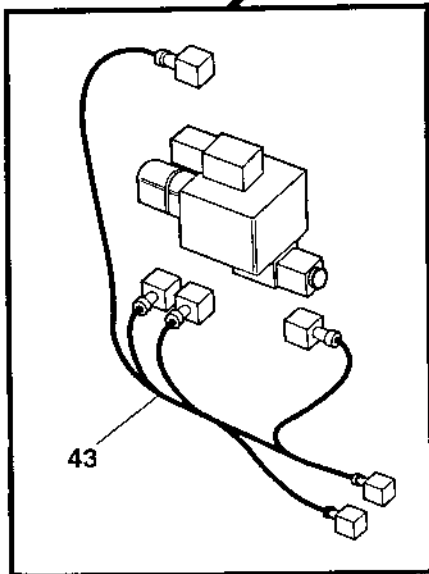
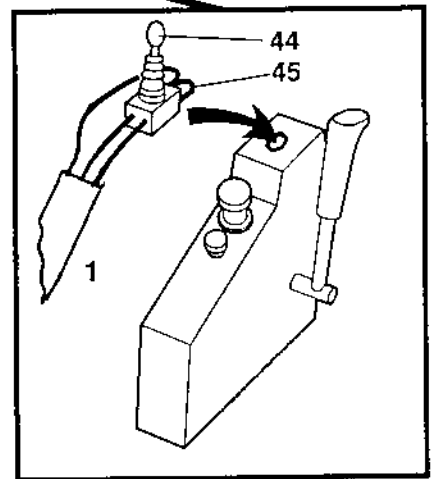
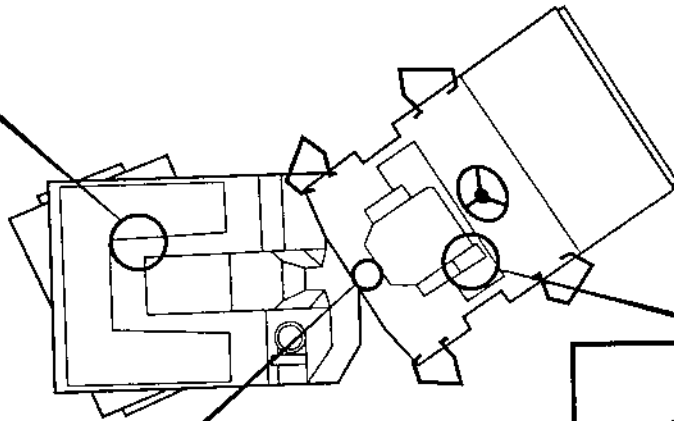
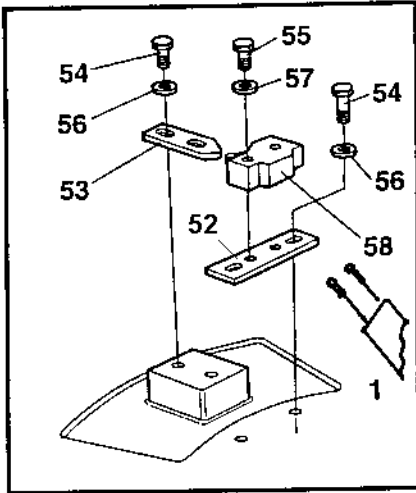
Tachograph

Ref. No.	Part No.	Rem.	Qty	Description	Code
1	371885		1	Instrument box	
2	370425		1	Support	
3	586002		3	Lock nut M6	
4	928381		3	Washer 6,4x18x1,6	
5	900904	A	1XL	Grommet	
6	541703		4	Screw M6x16	
7	373353		1	Cable harness Up to 62910638	
	376188		1	Cable harness From 62910639	
9	313041	B	N	Cable ties L=186 mm	
10	901765		1	Connector 2-POL	D
11	901766		1	Connector 2-POL	D
12	371415		1	Cable harness Up to 62910638	
	376190		1	Cable harness From 62910639	
13	371889		1	Frequency doubler	
14	901209		1	Tachograph	
15	371318		1	Cable harness Up to 62910638	
	376189		1	Cable harness From 62910639	
16	903824		1	Terminal	
20	904140	C	1	Fuse 0.5A	
21	500040		1	Screw M6-1x20 8,8	
22	903768		1	Threaded stud	
23	570005		2	Nut M8	
24	904229		1	Washer 8,4x16x1,5	

- A) Lenght as required
 B) Quantity as required
 C) Incl in item 12

Offset drum Electrical equipment

15769-1

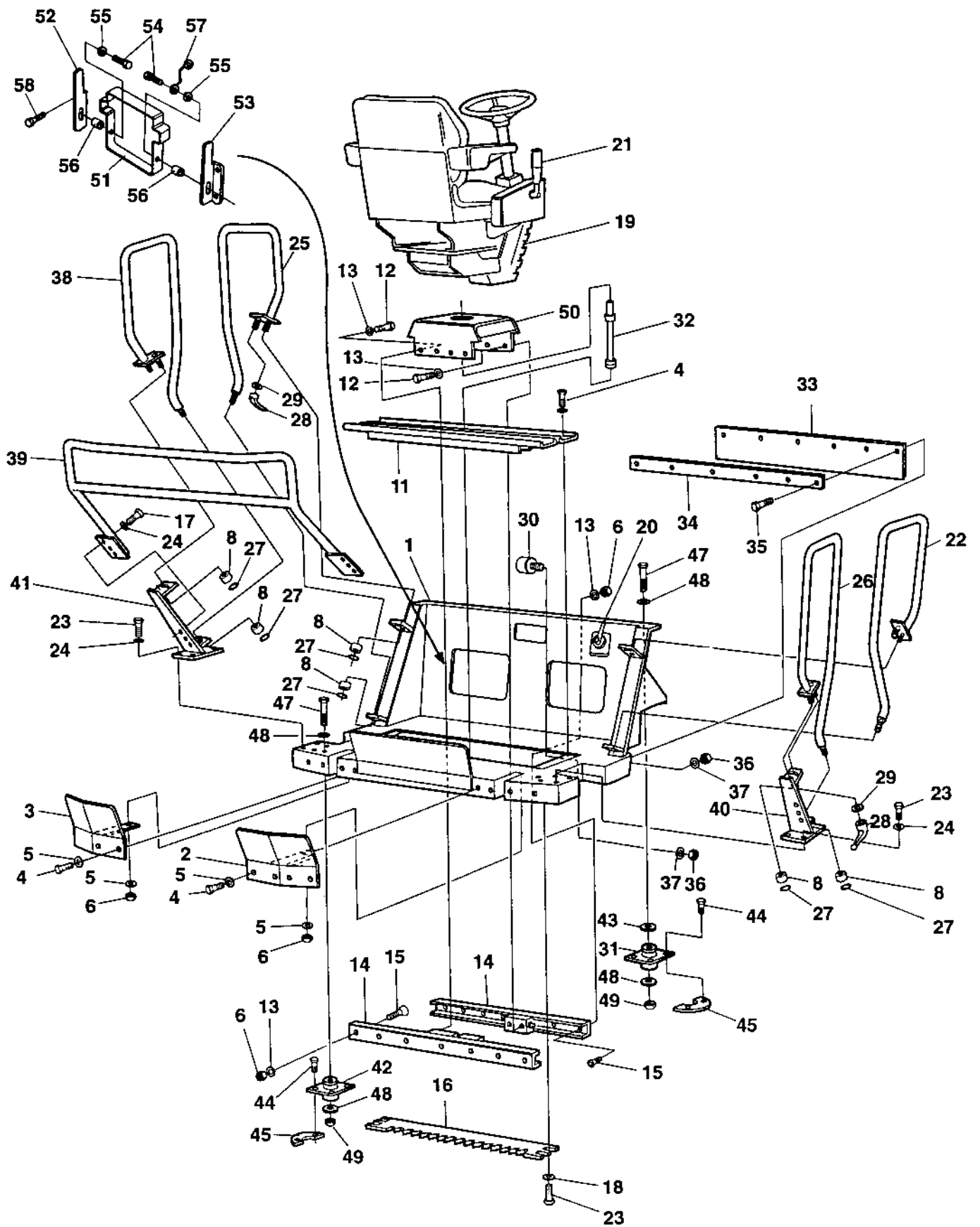


Offset drum Electrical equipment

Ref. No.	Part No.	Rem.	Qty	Description	Code
1		A		Cable harness	
43	376183		1	Cable harness	
44	903582		1	Switch	
45	343550		2	Connection cable	
52	371442		1	Holder plate	
53	359776		1	Cam	
54	500040		4	Screw M6-1x20 8,8	
55	533050		2	Screw	
56	904228		6	Washer 6,4x12x1,5	
57	904697		2	Washer 3,2x6x0,5	
58	930046		1	Micro switch	D
A)	Existing				

Drivers platform

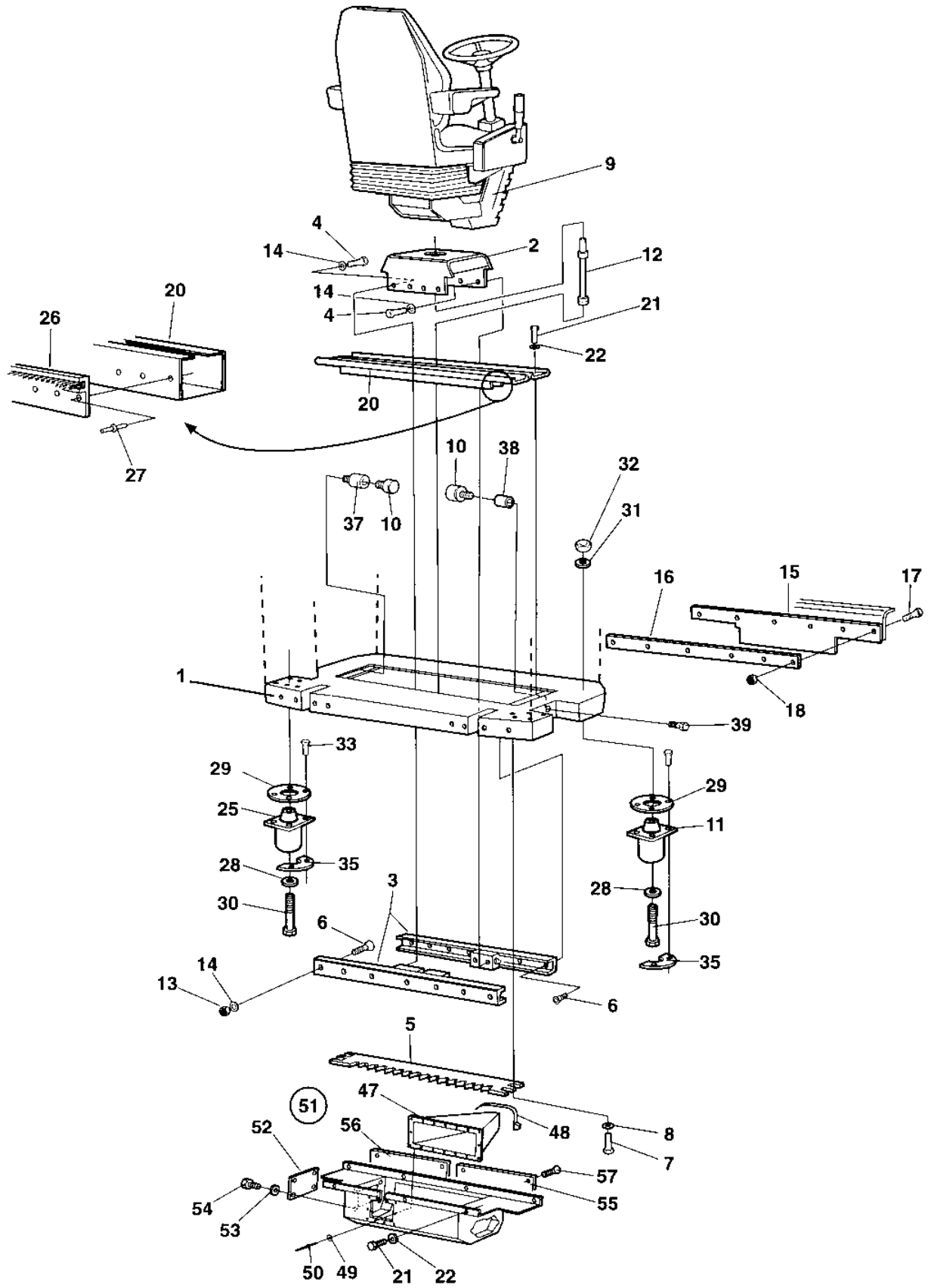
Ref. No.	Part No.	Rem.	Qty	Description	Code
10				Drivers platform (Page 226)	
15				Drivers platform, for cab (Page 228)	
20				Drivers seat, turn-over (Page 230)	
25				Drivers seat, turn-over, in cab (Page 232)	
27	359918			Steering column (Page 234)	C
30				Cross sliding Controls (version 1) (Page 236)	
35				Cross sliding Controls (Page 238)	
40				Cross sliding, carrier (Page 240)	
50				Forward and reverse control Version 1 (Page 242)	
55				Forward and reverse control (Page 244)	
57				Speed limiter Option (Page 246)	
60				Engine control (Page 248)	
80				Rear mirror (Page 250)	
90				Rops / fops (Page 252)	
100				Cab, interior (Page 254)	
105				Cab, inside panels (Page 258)	
110				Cab, screens (Page 260)	
115				Cab, wipers, front and rear (Page 262)	
120				Cab, wipers, right side (Page 264)	
122				Cab, water tank wipers (Page 266)	
125				Cab, door, left side (Page 268)	
130				Cab, heater and, fan system (Page 270)	
135				Cab Roof mounted,electric switches (Page 272)	
140				Interior rear mirror Sun curtain, first aid kit (Page 274)	
160				Exterior rear mirrors (Page 276)	
170				Radio and cassette player (Page 278)	



Drivers platform

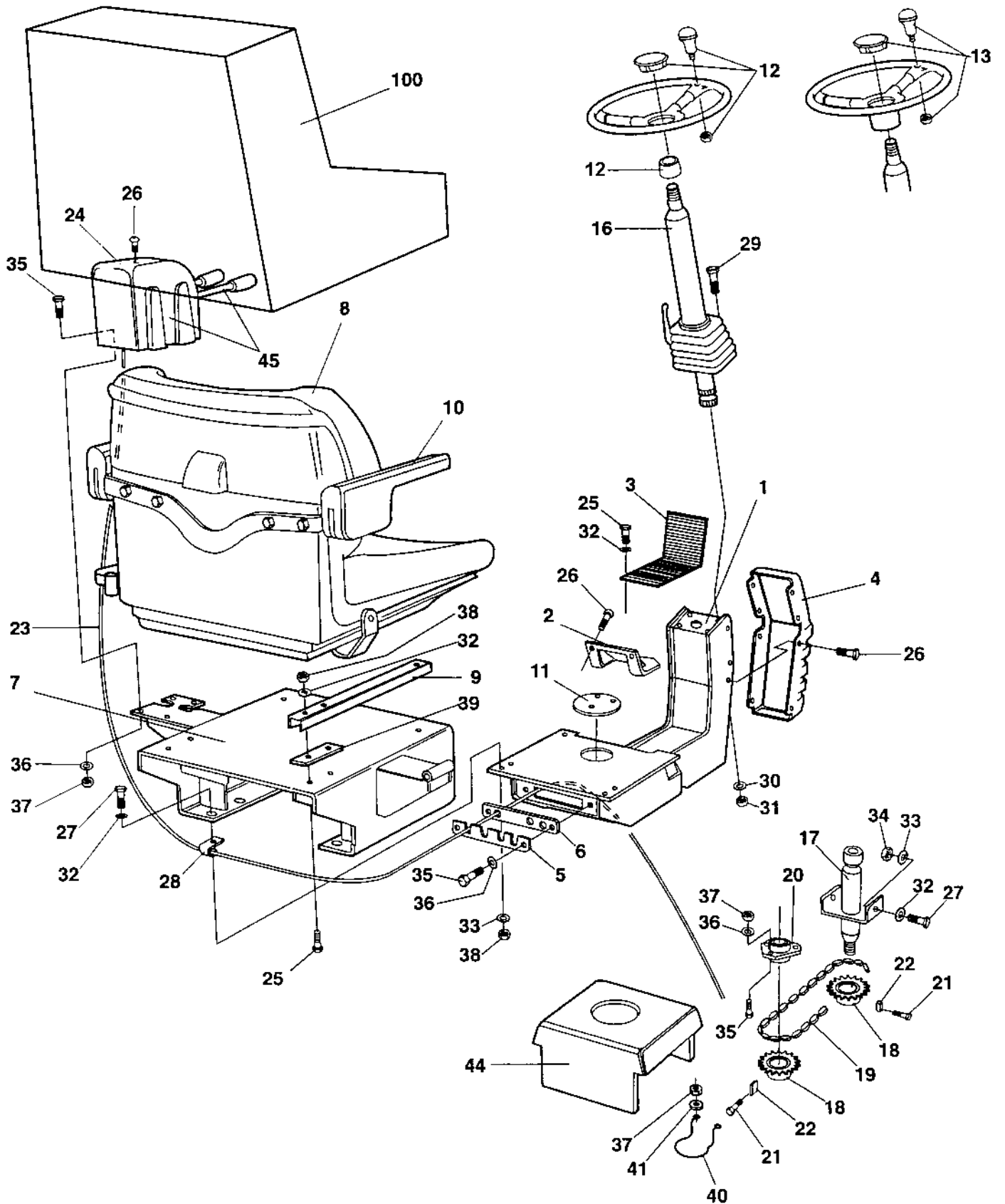
Ref. No.	Part No.	Rem.	Qty	Description	Code
1	371018		1	Platform	
2	371043		1	Protection, right	
3	371046		1	Protection, left	
4	500019		20	Screw M8-1,25x16 8,8	
5	904229		18	Washer 8,4x16x1,5	
6	570005		19	Nut M8	
8	370375		8	Bushing	
11	371053		2	Cover	
12	500021		6	Screw M8-1,25x25 8,8	
13	904556		23	Washer 8,4x16x3,0	
14	370364	A	1	Linear bearing	
15	513013		17	Screw	
16	371052		1	Locking rail	
17	500028		6	Screw M10-1,5x25 8,8	
18	603023		4	Washer M10	
19			1	Drivers seat, turn-over (Page 230)	
20			1	Engine control (Page 248)	
21			1	Forward and reverse control Version 1 (Page 242)	
			1	Forward and reverse control (Page 244)	
22	372091	F	1	Hand rail, right	
23	500029		12	Screw M10-1,5x30 8,8	
24	600008		14	Washer	
25	372092	F	1	Hand rail, left	
26	372093	H	1	Hand rail, right	
27	603009		4	Washer	
28	370160		4	Locking lever	
29	370286		4	Washer	
30	359887	E	2	Shock absorber	
31	373400	F	2	Shock absorber	D
32	370287		1	Shaft	
33	371056		1	Rubber protection	
34	371057		1	Holder plate	
35	500075		7	Screw M6-1x25 8,8	
36	570004		9	Nut M6	
37	904228		9	Washer 6,4x12x1,5	
38	372094	H	1	Hand rail, left	
39	370817	H	1	Hand rail	
40	370294	I	1	Holder	
41	370298	J	1	Holder	
42	373399	H	2	Shock absorber	D
43	370258		2	Spacer washer	
44	500037		16	Screw M12-1,75x35 8,8	
45	372704		8	Holder	
47	500228		4	Screw M20-2,5x120 8,8	
48	904233		8	Washer 21x36x3	
49	586022		4	Lock nut M20-8	
50			1	Cross sliding, carrier (Page 240)	
51	357425		1	Instruction book holder	
52	357426	I	1	Cover holder	
53	357427	J	1	Cover holder	
54	902164		2	Screw	
55	600001		2	Washer	
56	902163		2	Parallel pin	
57	357643		1	Wire	
58	624021		4	Pop rivet	

- A) One pair
- E) For carrier
- F) Front
- H) Rear
- I) Right
- J) Left



Drivers platform, for cab

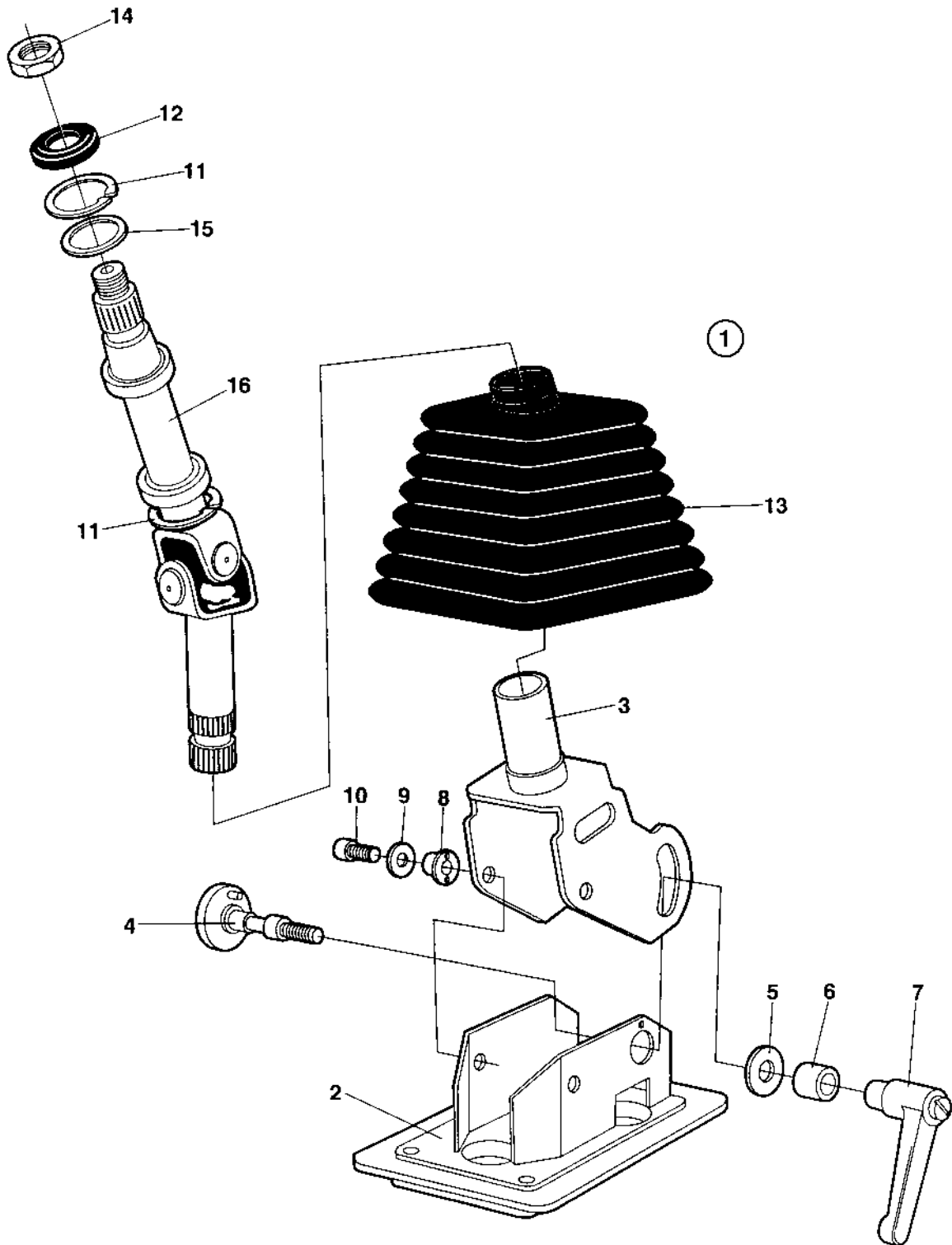
Ref. No.	Part No.	Rem.	Qty	Description	Code
1			1	Cab, interior	
2			1	Cross sliding, carrier	
3	370364		1	Linear bearing	
4	500021		6	Screw M8-1,25x25 8,8	
5	371052		1	Locking rail	
6	513013		17	Screw	
7	500029		4	Screw M10-1,5x30 8,8	
8	904557		4	Washer 10,5x22x4	
9	359886		1	Drivers seat, turn-over	
10	359887		2	Shock absorber	
11	359888		2	Shock absorber	D
12	359889		1	Shaft	
13	570005		17	Nut M8	
14	904556		25	Washer 8,4x16x3,0	
15	371056		1	Rubber protection	
16	371057		1	Holder plate	
17	500075		7	Screw M6-1x25 8,8	
18	902285		7	Lock nut M6	
20	371069		2	Cover	
21	500019		20	Screw M8-1,25x16 8,8	
22	904229		20	Washer 8,4x16x1,5	
25	359894		2	Shock absorber	D
26	371070		6	Brush profile	
27	903731		50	Blind rivet	
28	928466		4	Washer	
29	359998		4	Back-up ring	
30	903606		4	Screw	
31	904233		4	Washer 21x36x3	
32	901145		4	Lock nut M20-10	
33	500194		16	Screw M12x40	
35	586019		16	Lock nut M12	
37	370662		1	Spacer	
38	371273		1	Spacer	
39	500013		1	Screw M6-1x16 8,8	
47	936274		1	Bellows	
48	313041		5	Cable ties L=186 mm	
49	600020		14	Washer	
50	624021		14	Pop rivet	
51	936273		1	Noise suppression box, cpl	
52			1	Cover	
53			6	Washer	
54			6	Screw	
55			1	Cover	
56			1	Cover	
57	936276		12	Screw	



Ref. No.	Part No.	Rem.	Qty	Description	Code
1	359900		1	Seat frame	
2	359908		1	Bearing cover	
3	359911		1	Rubber mat	
4	359574		1	Cover	
5	359914		1	Cover	
6	359915		1	Grommet	
7	370211		1	Seat frame	
8	370234		1	Drivers seat	
9			1	Slide rail One pair	
10			1	Arm rest, left	
			1	Arm rest, right	
11	359920		1	Plug	
12			1	Steering wheel, cpl	
	902183		1	.Steering wheel	
	902184		1	.Turning knob	D
	902185		1	.Insert adapter	
	902186		1	.Cover plate	
13	372964		1	Steering wheel, cpl	
	935615		1	.Steering wheel knob	
	935614		1	.Turning knob	D
	935613		1	.Cover	
16	359918		1	Steering column (Page 234)	C
17	359919		1	Shaft	
18	359916		2	Chain wheel	D
19	359921		1	Chain	D
20	903917		1	Bearing outer	
	903918		1	Bearing inner	
21	516051		2	Set screw	
22	350009		2	Flat key	D
23			1	Cross sliding Controls (version 1) (Page 236)	
			1	Cross sliding Controls (Page 238)	
24	359419		1	Control cover	
25	500053		6	Screw M8-1,25x20 8,8	
26	904206		16	Screw	
27	500021		8	Screw M8-1,25x25 8,8	
28	921104		2	Clamp	
29	500028		3	Screw M10-1,5x25 8,8	
30	904557		3	Washer 10,5x22x4	
31	570006		3	Nut M10	
32	904556		6	Washer 8,4x16x3,0	
33	904229		14	Washer 8,4x16x1,5	
34	586003		2	Lock nut M8	
35	500040		10	Screw M6-1x20 8,8	
36	904228		7	Washer 6,4x12x1,5	
37	586002		7	Lock nut M6	
38	570005		10	Nut M8	
39	370235		2	Holder plate	
40	372672		1	Chain guard	
41	603001		2	Washer	
44			1	Cross sliding, carrier	
45			1	Cross sliding Controls (version 1) (Page 236)	
			1	Cross sliding Controls (Page 238)	
100	348331	A	1	Seat cover	D
A)	Option				

Drivers seat, turn-over, in cab

Ref. No.	Part No.	Rem.	Qty	Description	Code
1	359900		1	Seat frame	
2	359908		1	Bearing cover	
3	359911		1	Rubber mat	
4	359574		1	Cover	
5	359914		1	Cover	
6	359915		1	Grommet	
8	359917		1	Drivers seat	
9			1	Slide rail, one pair	
10			1	Arm rest, left	
			1	Arm rest, right	
11	359920		1	Plug	
12			1	Steering wheel, cpl	
	902183		1	.Steering wheel	
	902184		1	.Turning knob	D
	902185		1	.Insert adapter	
	902186		1	.Cover plate	
13	372964		1	Steering wheel, cpl	
	935615		1	.Steering wheel knob	
	935614		1	.Turning knob	D
	935613		1	.Cover	
16	359918		1	Steering column (Page 234)	C
17	359919		1	Shaft	
18	359916		2	Chain wheel	D
19	359921		1	Chain	D
20	903917		1	Bearing outer	
	903918		1	Bearing inner	
21	516051		2	Set screw	
22	350009		2	Flat key	D
23			1	Cross sliding Controls (version 1) (Page 236)	
			1	Cross sliding Controls (Page 238)	
24	359419		1	Control cover	
25	500053		6	Screw M8-1,25x20 8,8 Model kollas	
26	904206		16	Screw	
27	500021		2	Screw M8-1,25x25 8,8	
28	500053		6	Screw M8-1,25x20 8,8	
29	500028		3	Screw M10-1,5x25 8,8	
30	904557		3	Washer 10,5x22x4	
31	570006		3	Nut M10	
32	904734		2	Washer 8,4x26x4	
33	904229		2	Washer 8,4x16x1,5	
34	586003		2	Lock nut M8	
35	500040		10	Screw M6-1x20 8,8	
36	904228		9	Washer 6,4x12x1,5	
37	586002		7	Lock nut M6	
38	904229		6	Washer 8,4x16x1,5	
40	372672		1	Chain guard	
41	603001		2	Washer	
42			1	Cross sliding, carrier	
43	359971		1	Control cable holder	
44	359972		1	Control cable holder	
45	570005		4	Nut M8	
47	903914		2	Screw	
48	500031		4	Screw M10-1,5x40 8,8	
49	904230		6	Washer 10,5x22x2	

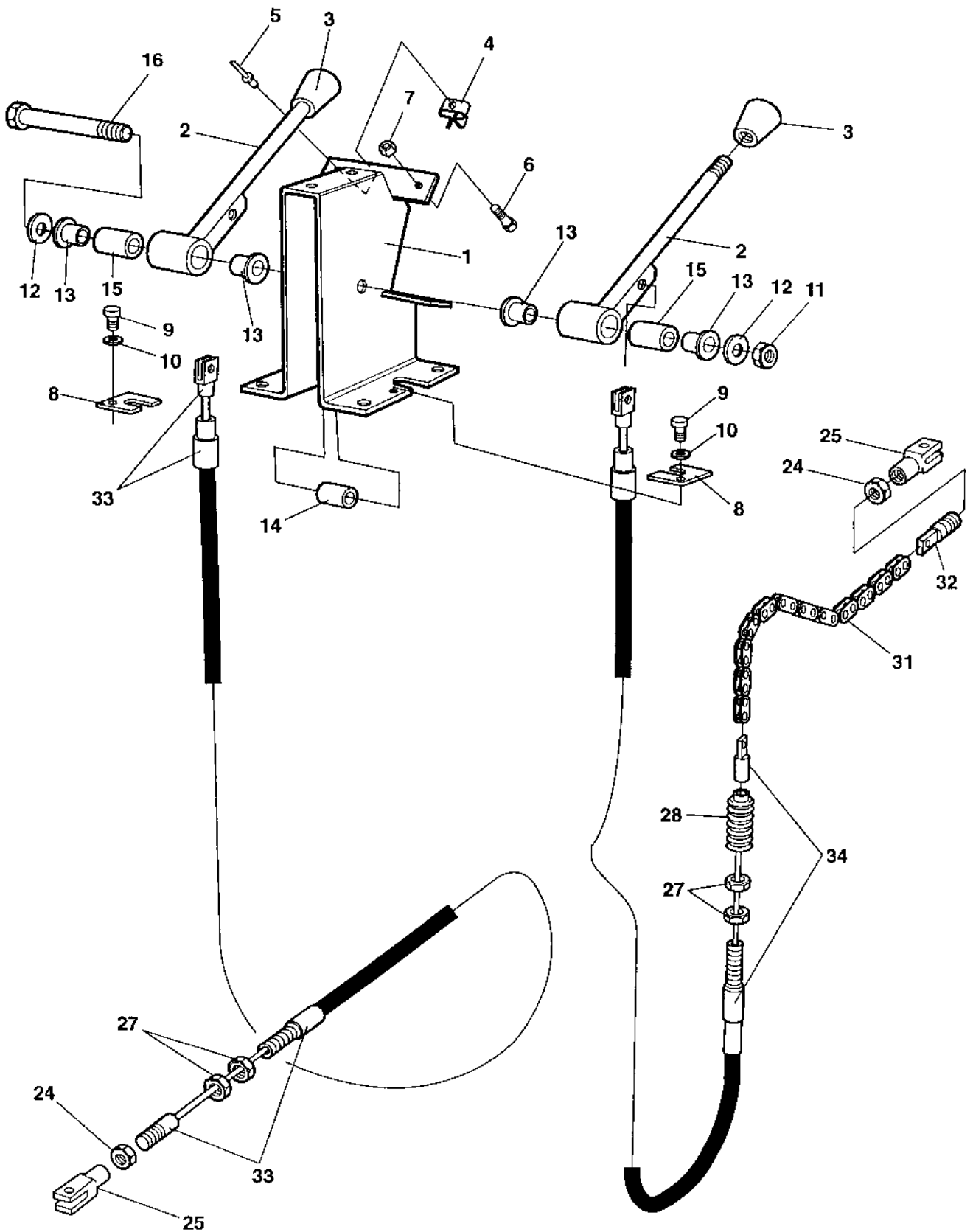


Ref. No.	Part No.	Rem.	Qty	Description	Code
1			1	Steering column, cpl	
2	935229	A	1	.Frame	
3	935230	B	1	.Frame	
4	935231		1	.Screw	
5	935232		1	.Washer	
6	935233		1	.Sleeve	
7	935234		1	.Lever	
8	935235		2	.Washer	
9	935236		2	.Washer	
10	935237		2	.Screw	
11	935238		2	.Retainer ring	
12	935239		1	.Seal	
13	935240		1	.Bellows	
14	935241		1	.Nut	
15	935242		1	.Washer	
16	935243		1	.Cardan shaft	

- A) Lower
- B) Upper

Cross sliding Controls (version 1)

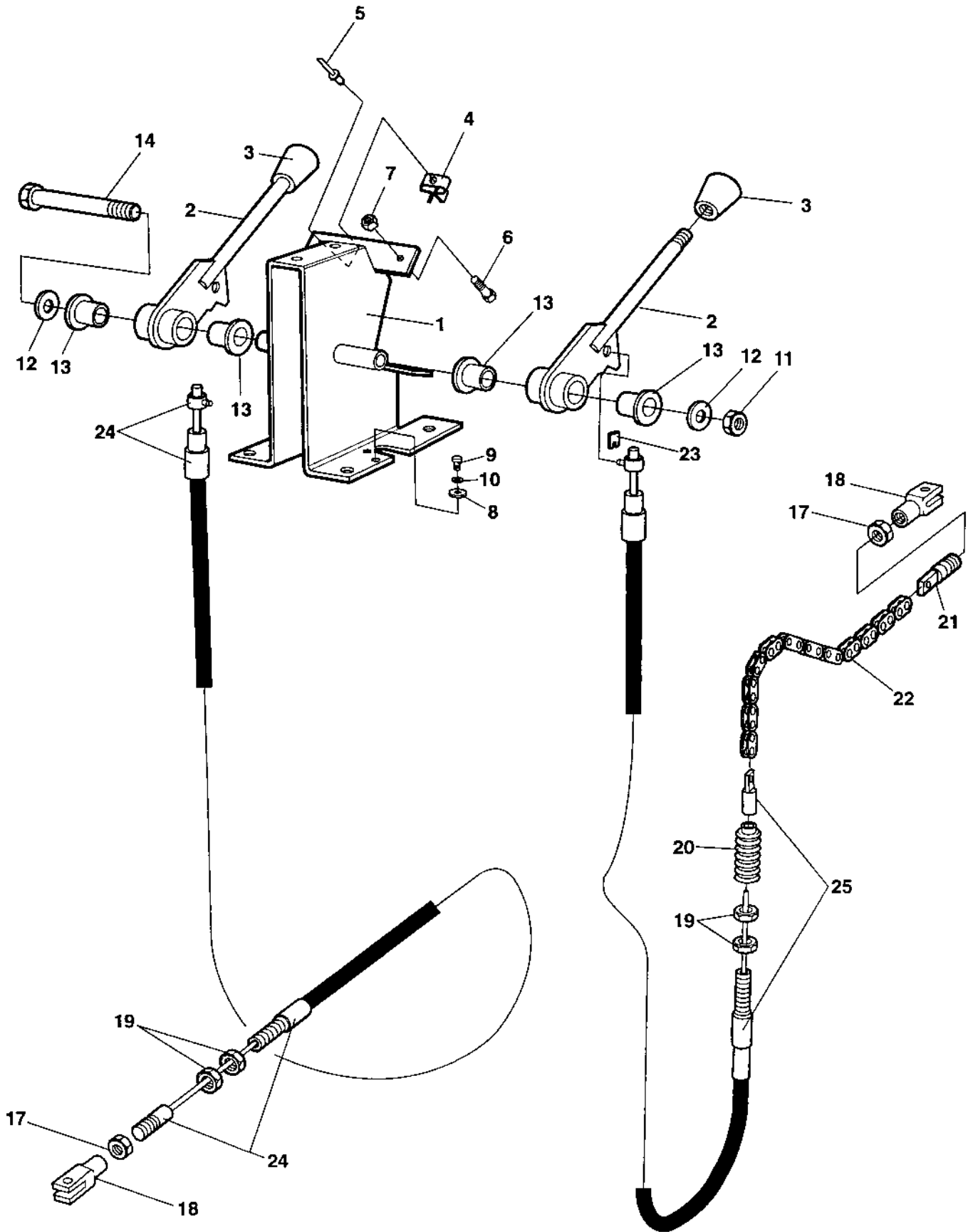
15677-1



Cross sliding Controls (version 1)

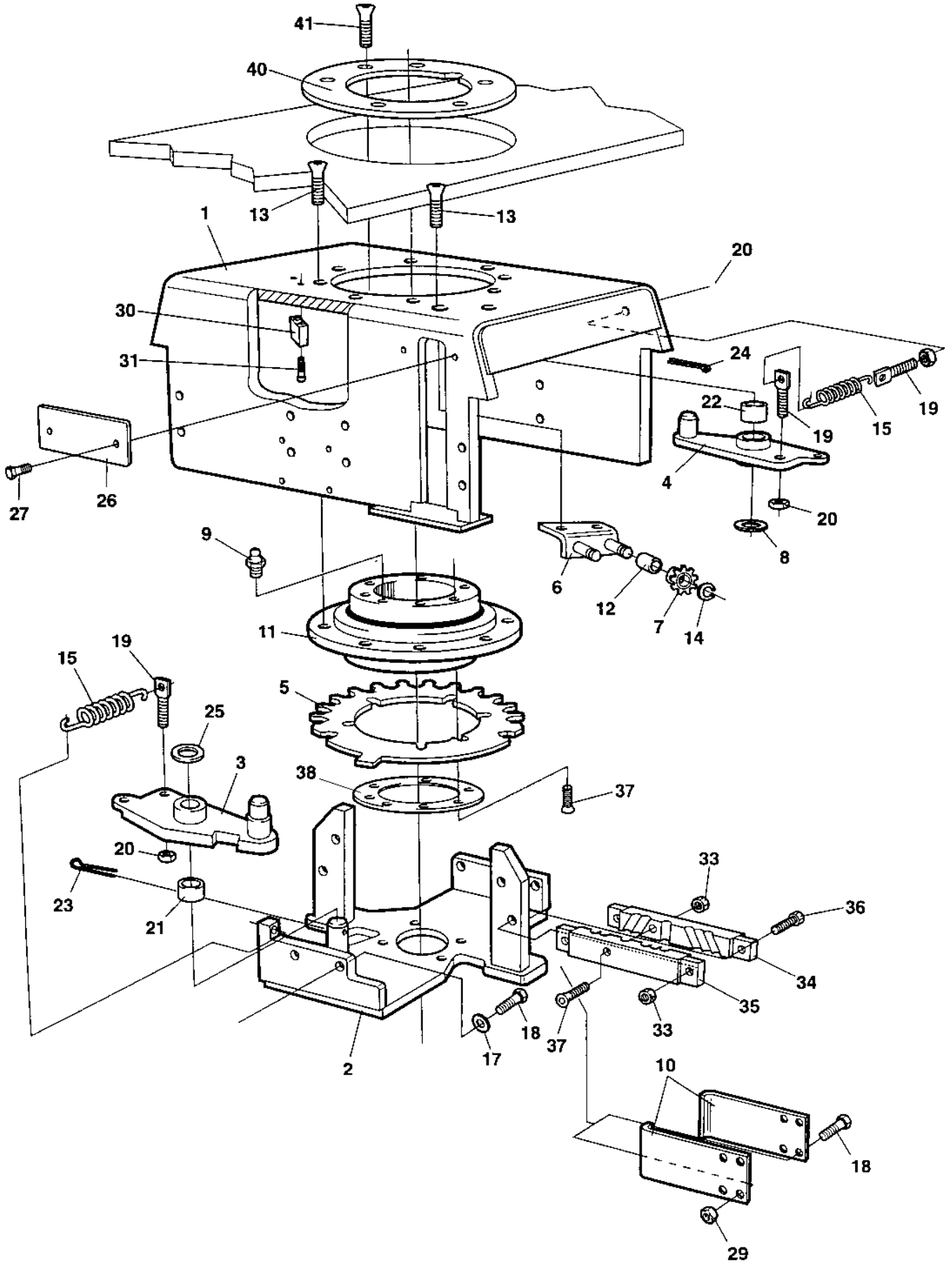
Ref. No.	Part No.	Rem.	Qty	Description	Code
1	908192		1	Chassis	
2	908191		2	Lever	
3	908190		2	Ball knob	
4	908189		1	Lever lock	
5	624016		1	Blind rivet	
6	522007		1	Screw	
7	923976		1	Nut	
8	908188		2	Cable holder	
9	533024		2	Screw	
10	615041		2	Washer 5,3x11	
11	586002		1	Lock nut M6	
12	928381		2	Washer 6,4x18x1,6	
13	908187		4	Plain bearing	
14	908186	A	1	Spacer sleeve	
15	908185	B	2	Spacer sleeve	
16	500169		1	Screw	
24	570004		2	Nut M6	
25	416004		2	Fork	
27	927233	C	4	Nut	
28	908184	D	1	Protection bellow	
31	359924		1	Chain with links	
32	359822		1	Spring holder	
33	908480	E	1	Cable, cpl	D
34	909504	F	1	Cable, cpl	D

- A) Inner
- B) Outer
- C) Incl in item 33,34
- D) Incl in item 34
- E) Sliding
- F) Turning



Ref. No.	Part No.	Rem.	Qty	Description	Code
1	935771		1	Framing	
2	909745		2	Lever	
3	908190		2	Ball knob	
4	908189		1	Lever lock	
5			1	Rivet	
6	500001		1	Screw	
7	923976		1	Nut	
8	909746		2	Washer	
9	533024		2	Screw	
10	615041		2	Washer 5,3x11	
11	586002		1	Lock nut M6	
12	928381		2	Washer 6,4x18x1,6	
13	908187		4	Plain bearing	
14	500169		1	Screw	
17	570004	A	2	Nut M6	
18	416004	A	2	Fork	
19	927233	B	4	Nut	
20	908184	C	1	Protection bellow	
21	359822		1	Spring holder	
22	359924		1	Chain with links	
23	937958	B	1	Clips	
24	935773	D	1	Cable, cpl	
25	935772	E	1	Cable, cpl	

- A) Incl in item 24
- B) Incl in item 24,25
- C) Incl in item 25
- D) Sliding
- E) Turning



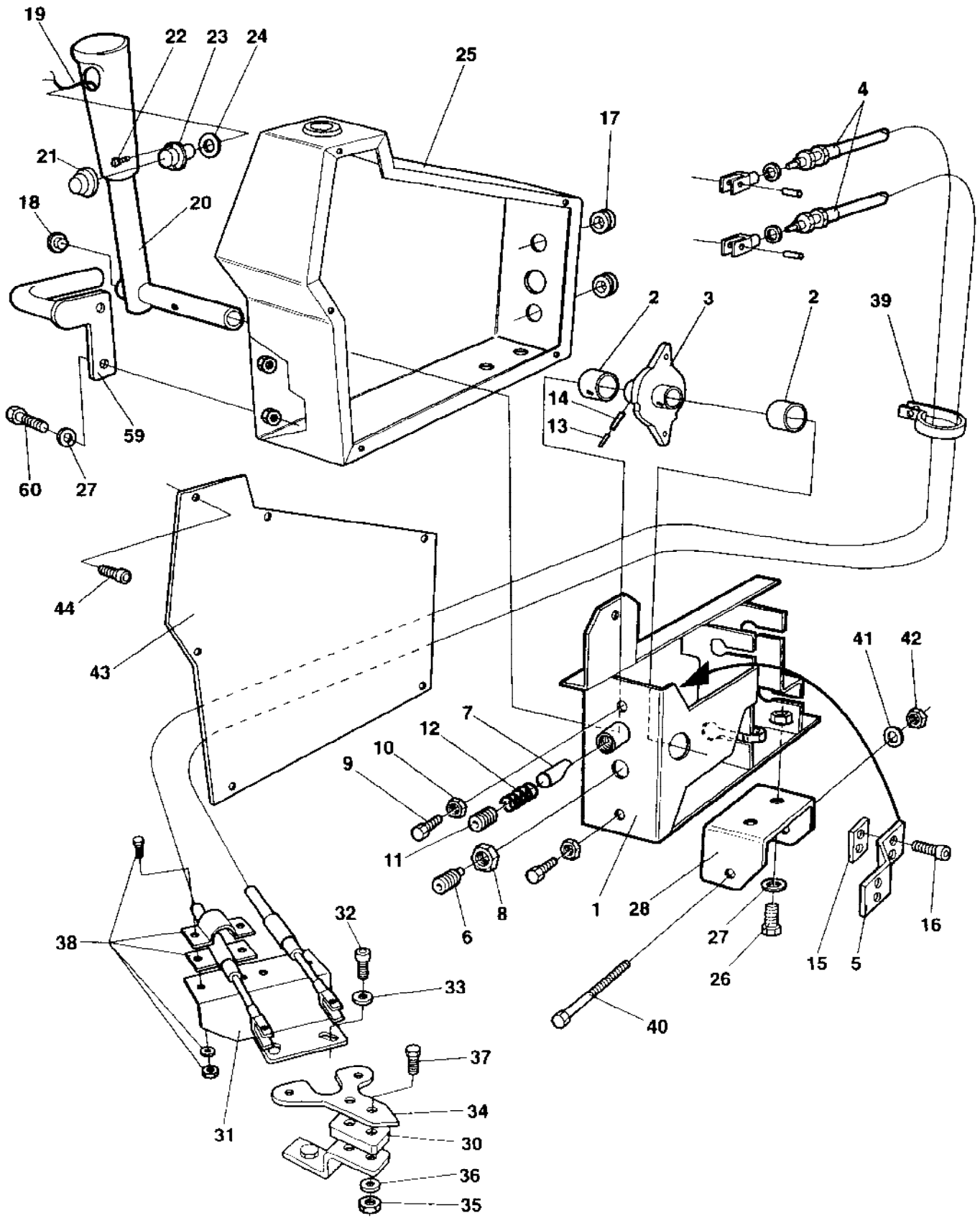
Cross sliding, carrier

Ref. No.	Part No.	Rem.	Qty	Description	Code
1	359788		1	Carrier	
2	359793		1	Bracket	
3	371101	A	1	Coupling link	
4	374417	B	1	Coupling link	
5	370955		1	Locking disc	
6	359810		1	Control bracket	
7	359813		2	Chain wheel	
8	600009		1	Washer	
9	926214		1	Grease fitting	D
10	359814		2	Clamp Up to 62910534	
11	359125		1	Ball bearing	
12	359816		2	Bushing	
13	513003		10	Screw	
14	359817		2	Retaining ring	
15	359043		2	Spring	D
17	603019		10	Washer	
18	500021		14	Screw M8-1,25x25 8,8	
19	359818		3	Spring collar	
20	573008		3	Nut M8	
21	359819		1	Bushing	
22	359820		1	Bushing	
23	630008	A	1	Pin	D
24	630035	B	1	Split pin	D
25	600011		1	Washer	
26	359815		1	Cover	
27	926220		2	Screw	
29	903586		4	Nut	
30	359893	C	1	Stop	
31	508056	C	2	Screw M8x40	
33	570005		5	Nut M8	
34	372960		1	Clamp From 62910535	
35	372959		1	Clamp From 62910535	
36	500022		4	Screw M8-1,25x30 8,8 From 62910535	
37	902520		7	Screw From 62910535	
38	372966		1	Lock ring From 62910535	
40	372965		1	Lock ring	
41	902520		6	Screw	

- A) For sliding
 B) For turning
 C) Only Cab

Forward and reverse control Version 1

15703-2



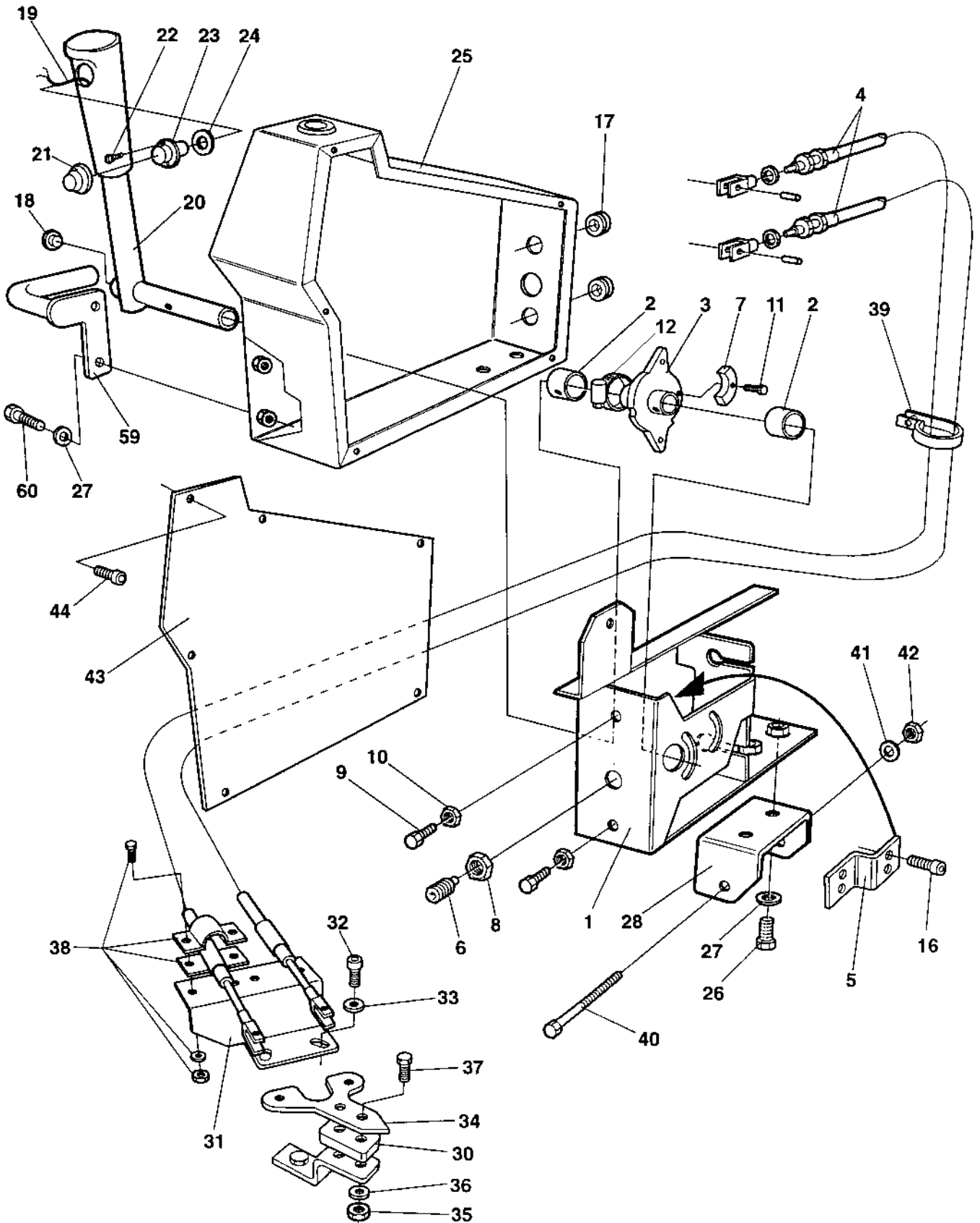
Forward and reverse control Version 1

Ref. No.	Part No.	Rem.	Qty	Description	Code
1	908201		1	Framing	
2	908200		2	Bearing	
3	908199		1	Cam disc	
4	908198	A	2	Cable	D
	570004		1	.Nut M6	
	908193		1	.Fork	
5	908197		1	Bracket	
6	922325		1	Spring ball plunger	D
7	908196		1	Brake piston	
8	573004		1	Nut	
9	533038		2	Screw	
10	570004		2	Nut M6	
11	901828		1	Set screw	
12	908202		1	Spring	
13	903395	B	1	Spirol pin	
14	629016		1	Expanding	
15	908195		1	Bracket	
16	522007		2	Screw	
17	909122		2	Grommet	
18	902203		1	Plug	
19	370117		1	Cable harness	
20	359575		1	Control lever	
21	348481		1	Cover	D
22	371009		2	Screw	
23	928497		1	Push button	D
24	359940		1	Washer	
25	359928		1	Control cover	
26	500053		2	Screw M8-1,25x20 8,8	
27	904229		2	Washer 8,4x16x1,5	
28	359930		1	Bracket	
30		C		Spacer	
31	359932		1	Control bracket	
32	903799		3	Screw M6 x 70	
33	904228		3	Washer 6,4x12x1,5	
34	359931		1	Control bracket	
35	586003		2	Lock nut M8	
36	904229		2	Washer 8,4x16x1,5	
37	500021		2	Screw M8-1,25x25 8,8	
38	465013		2	Clamp	D
39	921104		1	Clamp	
40	500198		1	Screw	
41	904231		1	Washer 13x24x2	
42	586019		1	Lock nut M12	
43	359929		1	Cover	
44	902223		6	Screw	
59	373177	D	1	Yoke	
60	570019		2	Screw	

- A) Forward & reverse
 B) Inside item 14
 C) Not on CC422/522
 D) Not for cab

Forward and reverse control

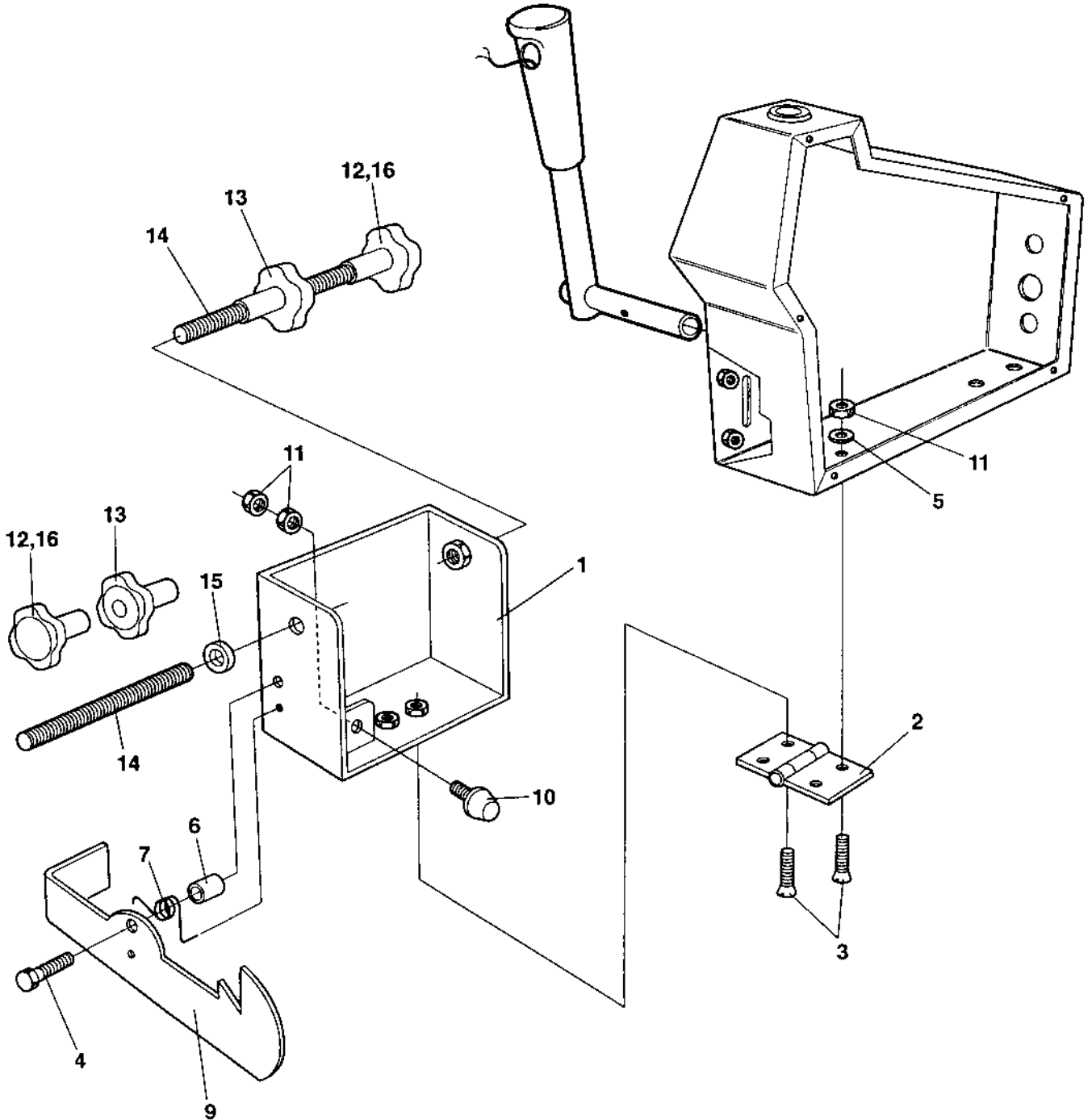
16126



Forward and reverse control

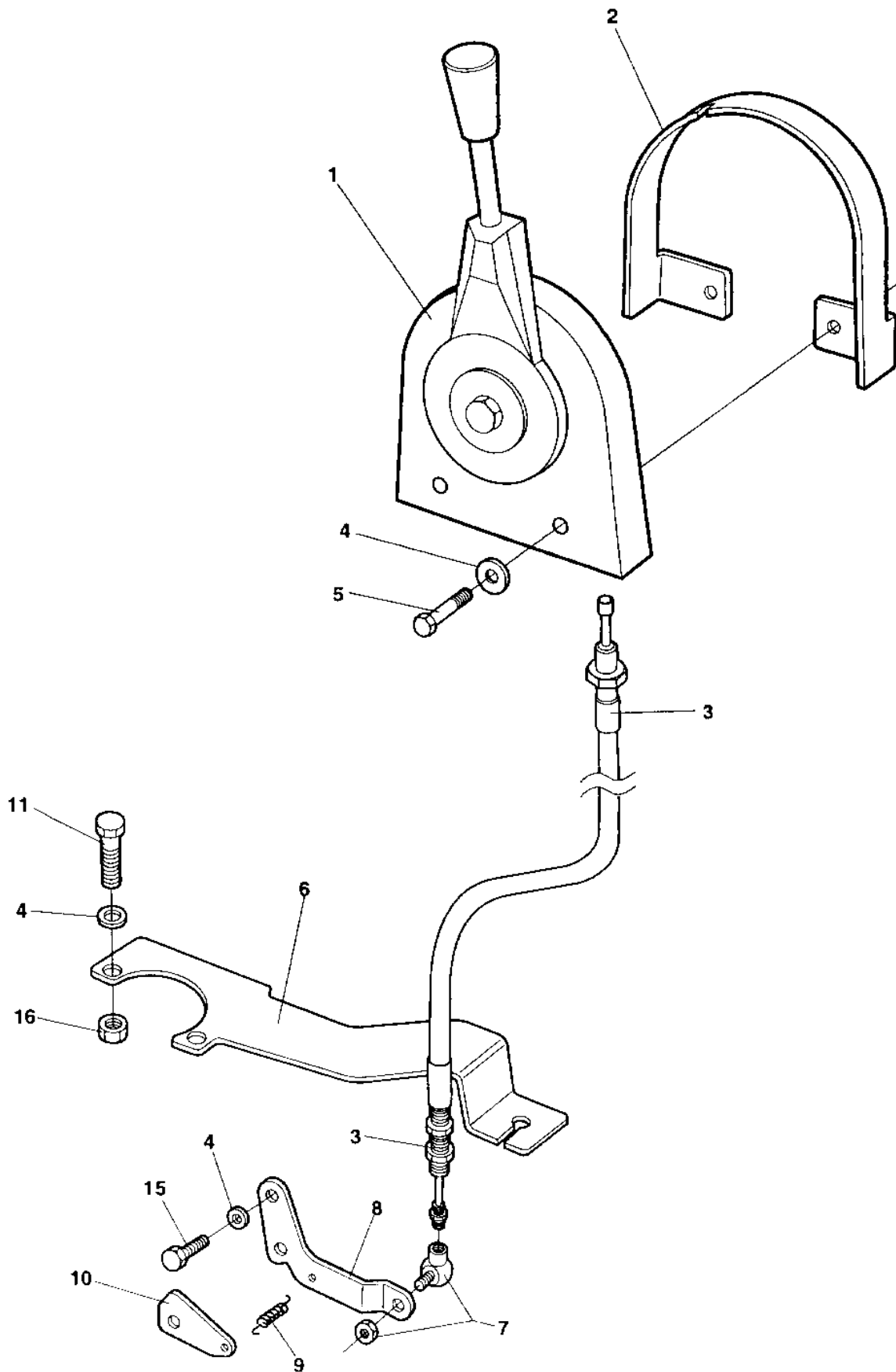
Ref. No.	Part No.	Rem.	Qty	Description	Code
1	909747		1	Framing	
2	908200		2	Bearing	
3	909748		1	Cam disc	
4	909749	A	2	Cable	
	570004		1	.Nut M6	
	908193		1	.Fork	
5	909751		1	Bracket	
6	922325		1	Spring ball plunger	D
7	909750		1	Cam	
8	573004		1	Nut	
9	533038		2	Screw	
10	573004		2	Nut	
11	503010		1	Screw	
12	313147		1	Hose clip	
16	522007		2	Screw	
17	909122		2	Grommet	
18	902203		1	Plug	
19	370117		1	Cable harness Up to 62910638	
	376396		1	Cable harness From 62910639	
20	359575		1	Control lever	
21	348481		1	Cover	D
22	371009		2	Screw	
23	928497		1	Push button	D
24	359940		1	Washer	
25	359928		1	Control cover	
26	500053		2	Screw M8-1,25x20 8,8	
27	904229		2	Washer 8,4x16x1,5	
28	381676		1	Bracket	
30		C	1	Spacer	
31	359932		1	Control bracket	
32	903799		3	Screw M6 x 70	
33	904228		3	Washer 6,4x12x1,5	
34	359931		1	Control bracket	
35	586003		3	Lock nut M8	
36	904229		4	Washer 8,4x16x1,5	
37	500021		2	Screw M8-1,25x25 8,8	
38	465013		2	Clamp	D
39	921104		1	Clamp	
40	500198		1	Screw	
41	904231		1	Washer 13x24x2	
42	586019		1	Lock nut M12	
43	359929		1	Cover	
44	902223		6	Screw	
59	373177	B	1	Yoke	
60	570019	B	2	Screw	

- A) Forward and reverse
 B) Not for cab
 C) Not for CC422/522



Ref. No.	Part No.	Rem.	Qty	Description	Code
1	373928		1	Holder	
2	903907		1	Hinge	
3	513012		4	Screw	
4	500015		1	Screw M6-1x30 8,8	
5	904228		4	Washer 6,4x12x1,5	
6	373934		1	Spacer	
7	373930		1	Spring	
8	586002		1	Lock nut M6	
9	373929		1	Hook	
10	359887		1	Shock absorber	
11	570004		3	Nut M6	
12	904339		2	Knob	
13	904338		2	Knob	
14	904332		2	Threaded stud	
15	904567		1	Washer 10,5x28x6	
16	901128	A	1	Lock fluid	

A) Loctite 270

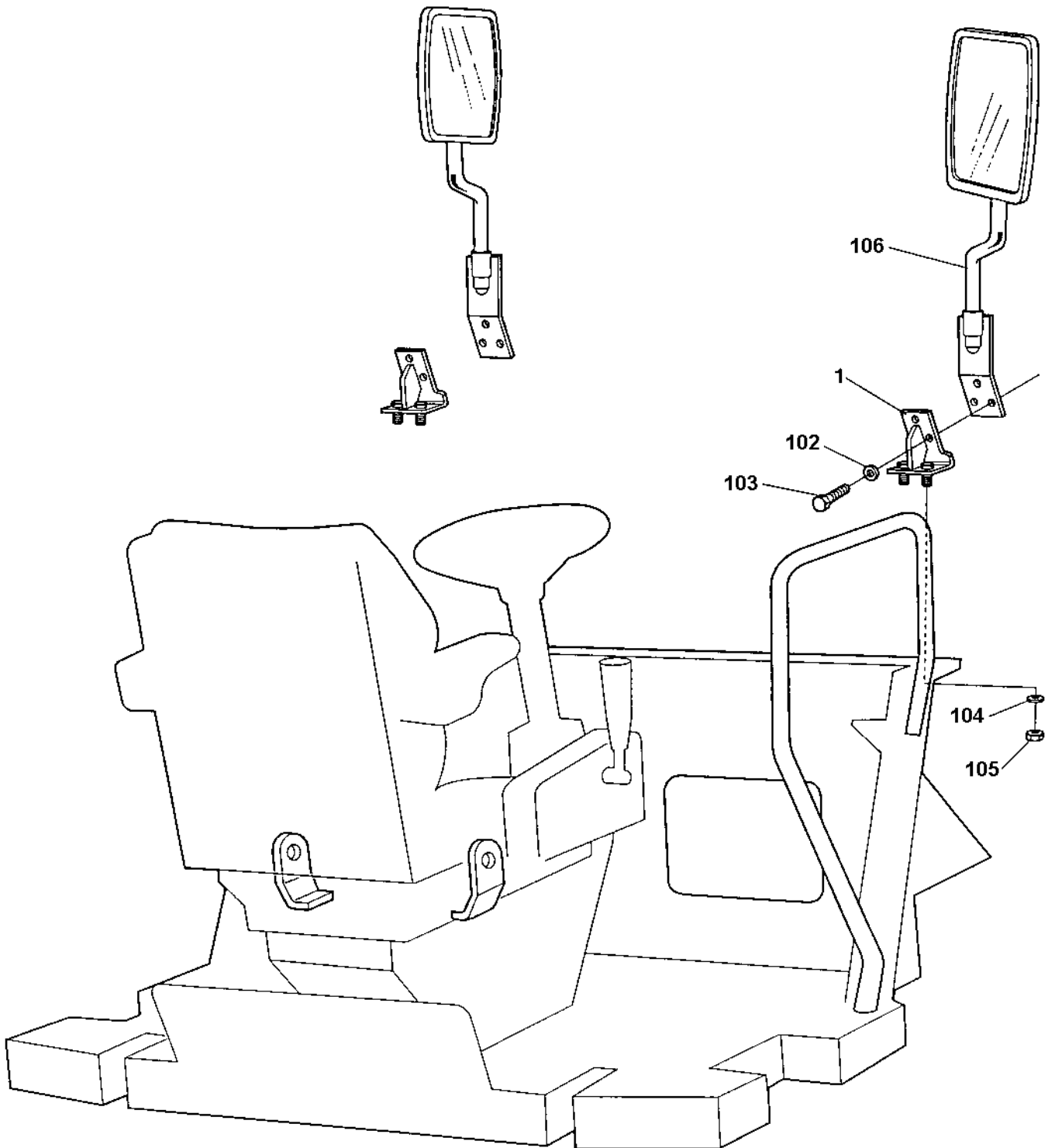


Engine control

Ref. No.	Part No.	Rem.	Qty	Description	Code
1	902192		1	Control	D
2	902194		1	Yoke	
3	372616		1	Cable	
4	904228		6	Washer 6,4x12x1,5	
5	500015		2	Screw M6-1x30 8,8	
6	371522		1	Control bracket Up to 62910523	
	372954		1	Control bracket From 62910524	
7	416034		1	Ball joint	D
8	371462		1	Control lever Up to 62910523	
	372955		1	Control lever From 62910524	
9	373474		1	Spring	
10	374117		1	Bracket	
11	500075		2	Screw M6-1x25 8,8	
15	500013		2	Screw M6-1x16 8,8	
16	570004		2	Nut M6	

Rear mirror

15889

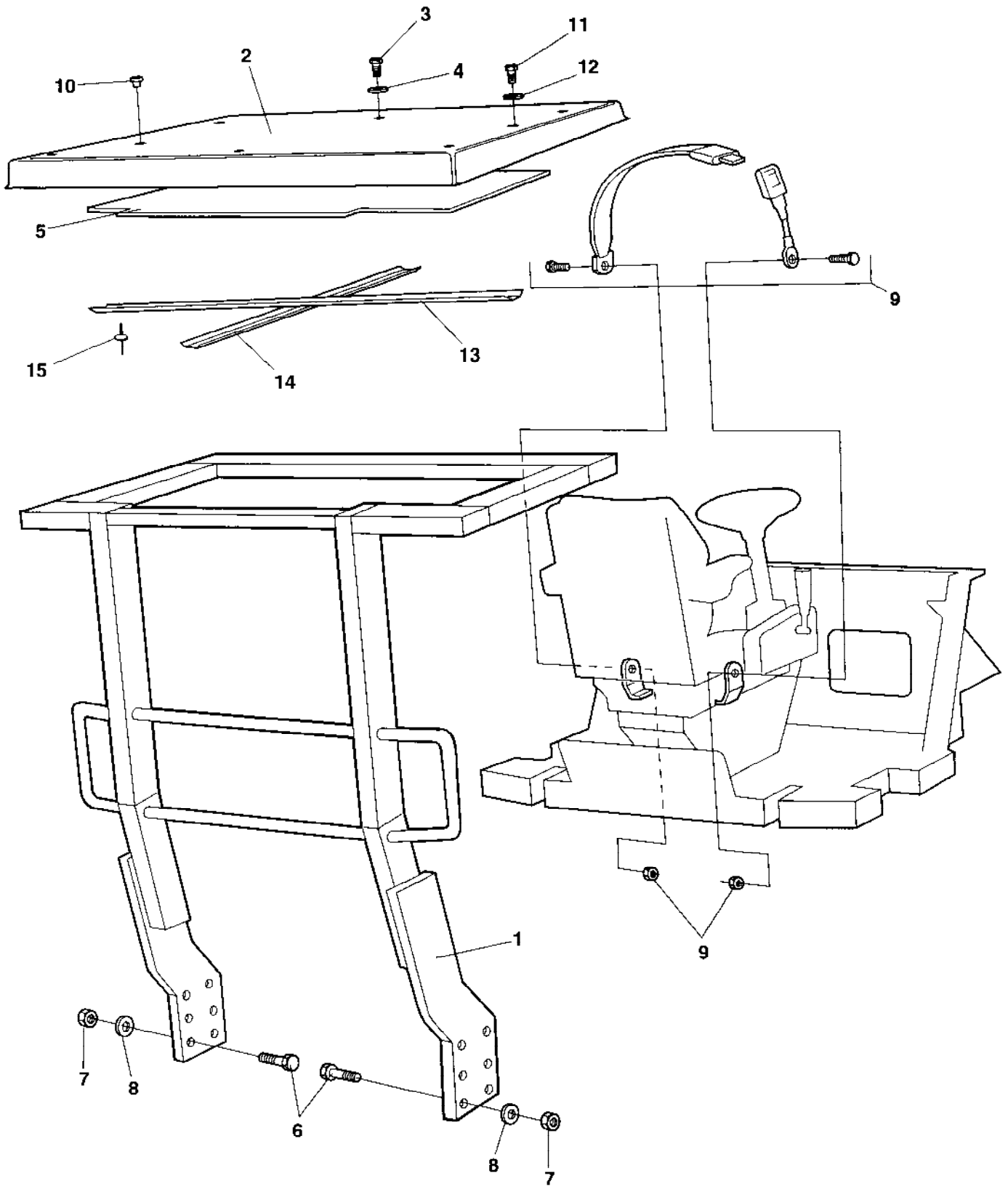


Rear mirror

Ref. No.	Part No.	Rem.	Qty	Description	Code
			1	Rear mirror Option	
1	371819		2	.Bracket	
102	600006		6	.Washer	
103	500053		6	.Screw M8-1,25x20 8,8	
104	600008		4	.Washer	
105	586018		4	.Lock nut M10	
106			2	.Exterior rear mirrors (Page 276)	

Rops / fops

15938-1

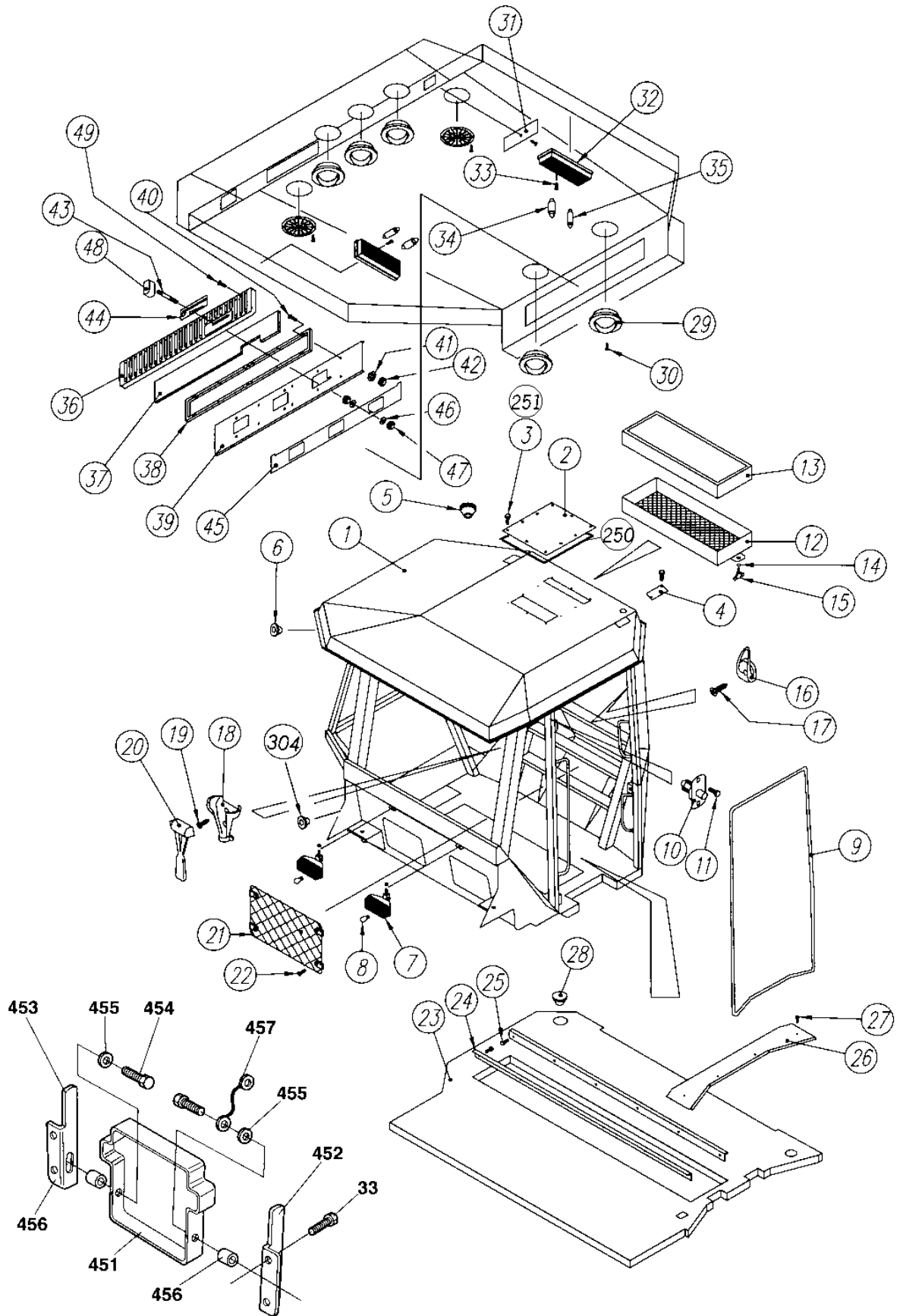


Rops / fops

Ref. No.	Part No.	Rem.	Qty	Description	Code
1	371710		1	Rops	
2	371847		1	Rops roof	
	371845		1	Fops roof	
3	903990		4	Screw	
4	904735		4	Washer	
5	372590		1	c90	
6	903792		12	Screw	
7	903736		12	Nut	
8	904234		12	Washer 25x45x4	
9	370766		1	Safety belt	
	383200	A	1	Safety belt 3"	
10	904180		2	Plug	
11	500030		8	Screw M10-1,5x35H 8,8	
12	904567		8	Washer 10,5x28x6	
13	380178		1	Absorbent holder	
14	380177		1	Absorbent holder	
15	904619		12	Blind rivet	
A)	Option 3"				

Cab, interior

15731-2



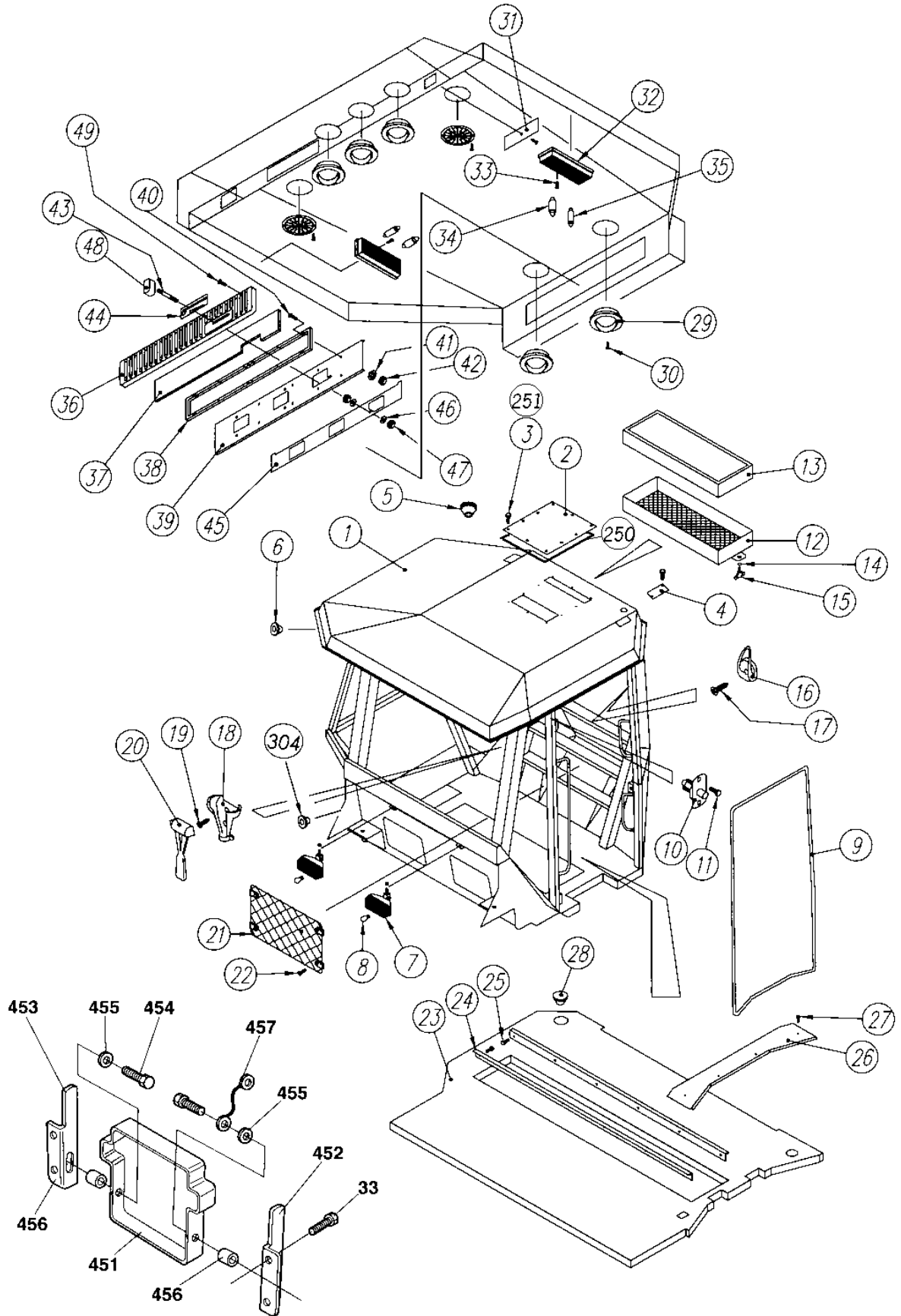
Cab, interior

Ref. No.	Part No.	Rem.	Qty	Description	Code
1	371062		1	Cab, cpl	
2	908494		1	.Cover plate	
3	500012		14	.Screw M6x12	
4	908495		2	.Cover plate	
5	908496		1	.Grommet	
6	908497		12	.Grommet	
7	908268		2	.Work light	
8	908498		2	.Bulb	
9	908499	A	1XL	.Rubber list	
10	908500		1	.Door switch	
11	901315		2	.Screw	
12	908501		1	.Filter frame	
13	908502		1	.Filter	A
14	908503		2	.O-ring	
15	908504		2	.Handle	
16	908505		1	.Hook	
17	903803		2	.Screw	
18	908506	B	1	.Holder	
19	903806		2	.Screw	
20	908507		1	.Emergency hammer	
21	908508		1	.Document holder	
22	904523		4	.Screw	
23	908747		1	.Carpet	
24	908748		2	.List	
25	535005		16	.Screw M5x12	
26	908749		1	.Coping list	
27	903808		4	.Screw	
28	908512		1	.Cover	
29	908513	C	5	Nozzle	
30	904523		20	.Screw	
31	908514		1	.Cover plate	
32	908515		2	.Inner light	
33	903809		4	.Screw	
34	985117		2	.Bulb	
35	985051		2	.Bulb 12V,10W	B
36	908516		1	.Ventilating grid	
37	908517		1	.Recirculation filter	
38	908518		1	.Ventilating frame	
39	908519		1	.Grid support	
40	903809		6	.Screw	
41	908520		12	.Sleeve	
42	570002		12	.Nut M4	
43	908521		1	.Bar	
44	908522		1	.Tape	
45	908523		1	.Screen	
46	600004		2	.Washer	
47	570005		2	.Nut M8	
48	908524		1	.Knob	
49	903807		12	.Screw	
250				Not used on this model	
251				Not used on this model	
304	909510		1	.Grommet	
451	357425	D	1	Instruction book holder	
452	357426	E	1	Cover holder	
453	357427	F	1	Cover holder	

- A) L=5,0 m
- B) For item 20
- C) Option for AC
- D) For instruction
- E) Left
- F) Right

Cab, interior

15731-2

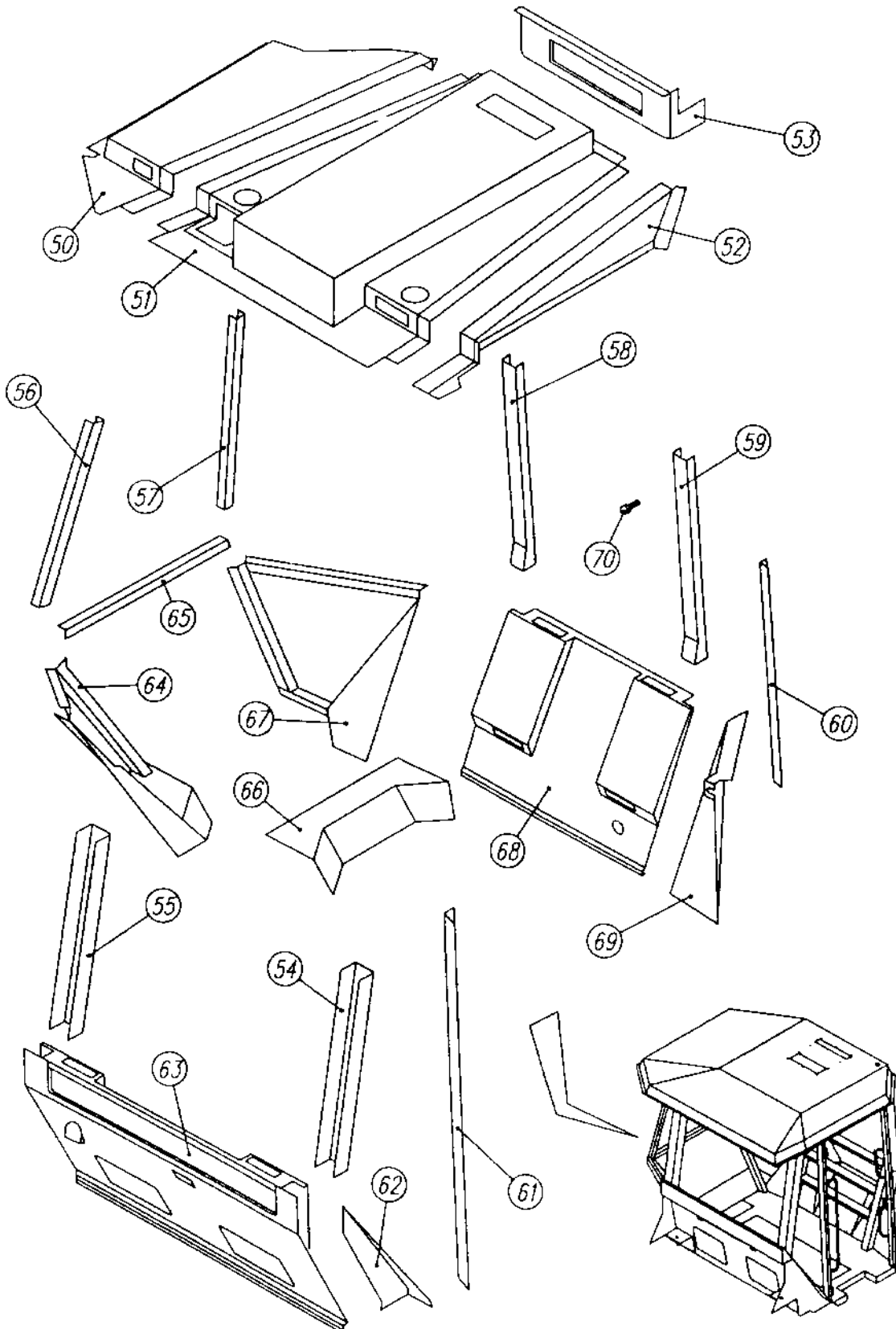


Cab, interior

Ref. No.	Part No.	Rem.	Qty	Description	Code
454	902164		2	Screw	
455	904697		2	Washer 3,2x6x0,5	
456	902163		2	Parallel pin	
457	357643		1	Wire	
458	624021		4	Pop rivet	

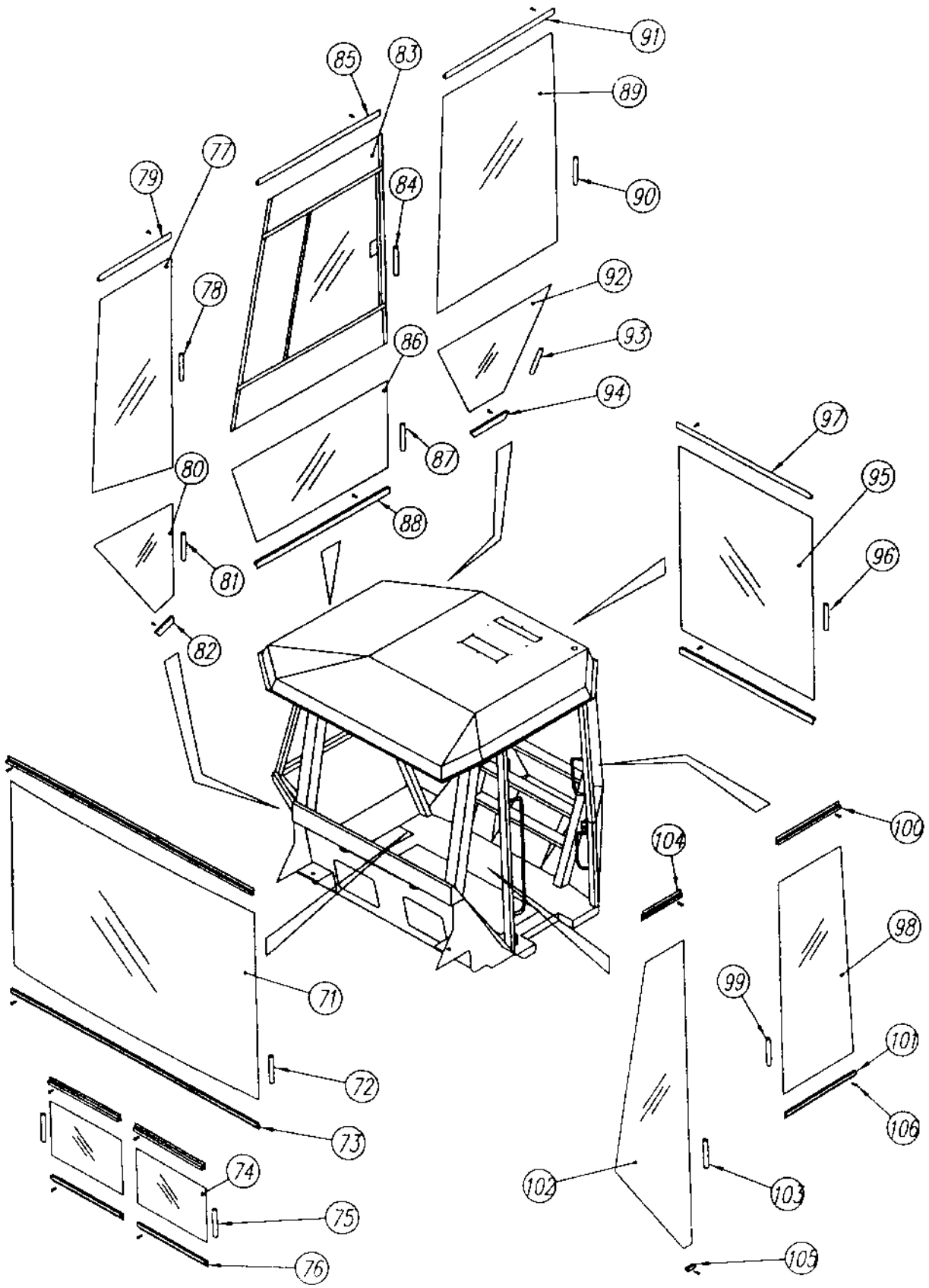
Cab, inside panels

15732-1



Cab, inside panels

Ref. No.	Part No.	Rem.	Qty	Description	Code
				Cab, cpl	
50	908525		1	.Panel	
51	908751		1	.Panel	
52	908527		1	.Panel	
53	908752		1	.Panel	
54	908529		1	.Panel	
55	908530		1	.Panel	
56	908531		1	.Panel	
57	908532		1	.Panel	
58	908533		1	.Panel	
59	908534		1	.Panel	
60	908535		1	.Panel	
61	908536		1	.Panel	
62	908537		1	.Panel	
63	908753		1	.Panel	
64	908539		1	.Panel	
65	908540		1	.Panel	
66	908541		1	.Panel	
67	908754		1	.Panel	
68	908755		1	.Panel	
69	908756		1	.Panel	
70	903782		30	.Screw	



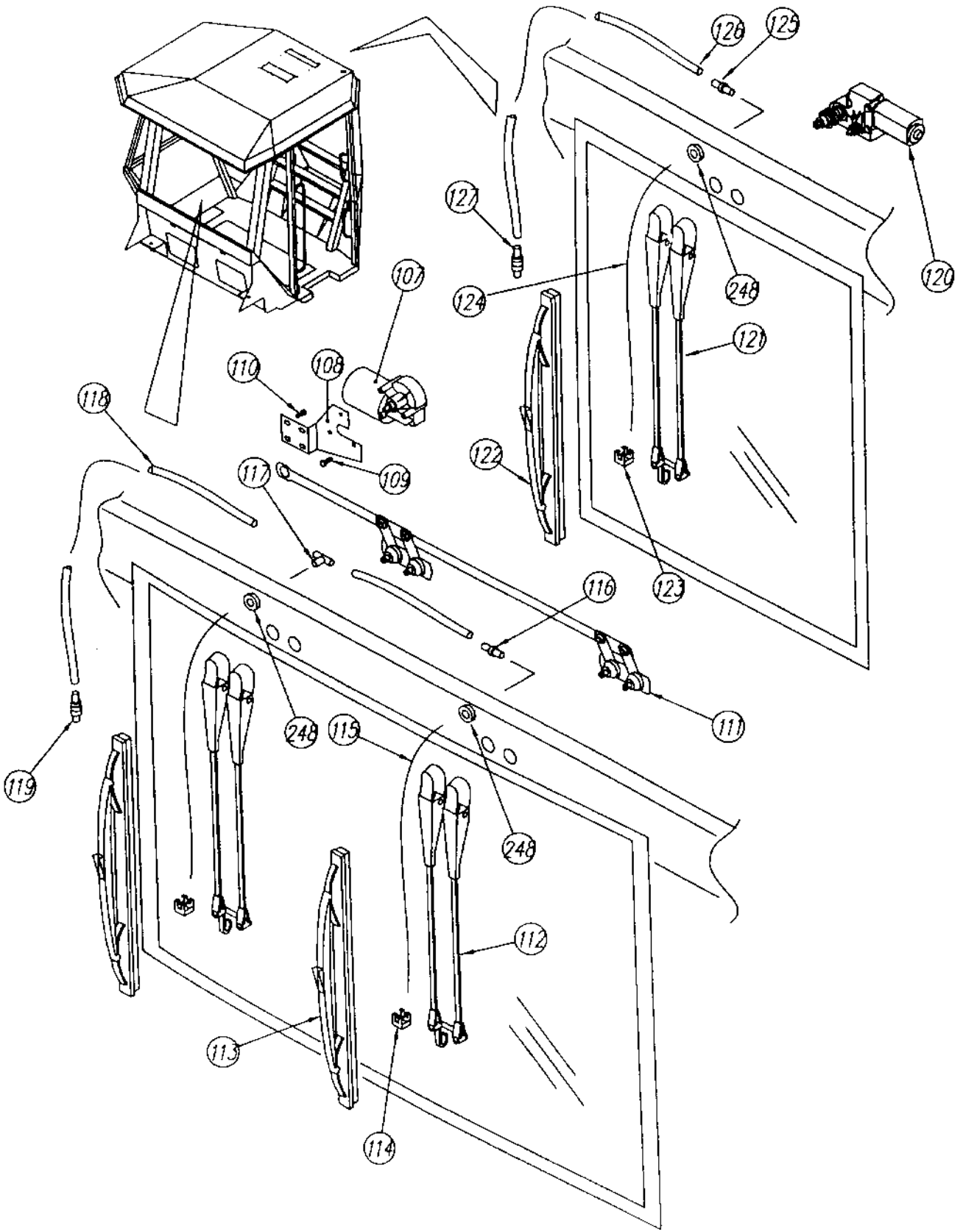
Cab, screens

Ref. No.	Part No.	Rem.	Qty	Description	Code
			1	Cab, cpl	
71	908757		1	.Screen Bronze	
	937412		1	.Screen Green	
72	908545	A	1XL	.Seal list	
73	908758		2	.List	
74	908759		2	.Screen Bronze	
	937409		1	.Screen Green	
75	908545	B	1XL	.Seal list	
76	908760		4	List	
77	908253		1	.Screen Bronze	
	937397		1	.Screen Green	
78	908545	C	1XL	.Seal list	
79	908548		1	.List	
80	908256		1	.Screen Bronze	
	937398		1	.Screen Green	
81	908545	D	1XL	.Seal list	
82	908549		1	.List	
83	908353		1	.Screen sliding Bronze	
	937399		1	.Screen sliding Green	
84	908545	E	1XL	.Seal list	
85	908550		1	.List	
86	908255		1	.Screen Bronze	
	937400		1	.Screen Green	
87	908545	F	1XL	.Seal list	
88	908551		1	.List	
89	908249		1	.Screen Bronze	
	937401		1	.Screen Green	
90	908545	G	1XL	.Seal list	
91	908552		1	.List	
92	908761		1	.Screen Bronze	
	937410		1	.Screen Green	
93	908545	H	1XL	.Seal list	
94	908762		1	.List	
95	908763		1	.Screen Bronze	
	937411		1	.Screen Green	
96	908545	A	1XL	.Seal list	
97	908764		2	.List	
98	908262		1	.Screen Bronze	
	937404		1	.Screen Green	
99	908545	I	1XL	.Seal list	
100	908555		1	.List	
101	908556		1	.List	
102	937405		1	.Screen Green	
	908259		1	.Screen Bronze	
103	908545	J	1XL	.Seal list	
104	908557		1	.List	
105	908993		1	.List	
106	903782		90	.Screw	

- A) L=1,8 m
- B) L=0,6 m
- C) L=2,4 m
- D) L=1,6 m
- E) L=2,9 m
- F) L=1,8 m
- G) L=2,7 m
- H) L=1,6 m
- I) L=2,1 m
- J) L=3,0 m

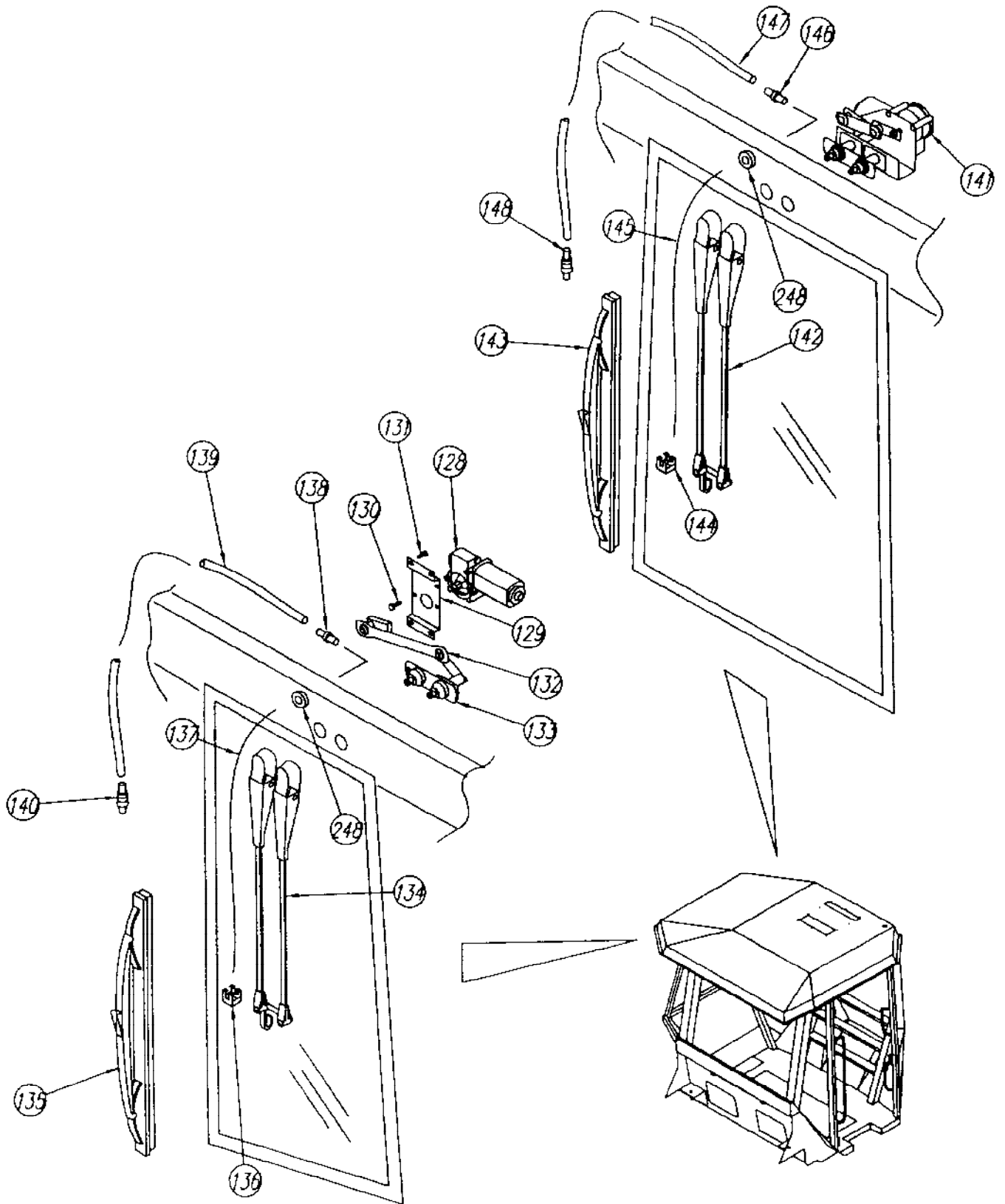
Cab, wipers, front and rear

15734-1



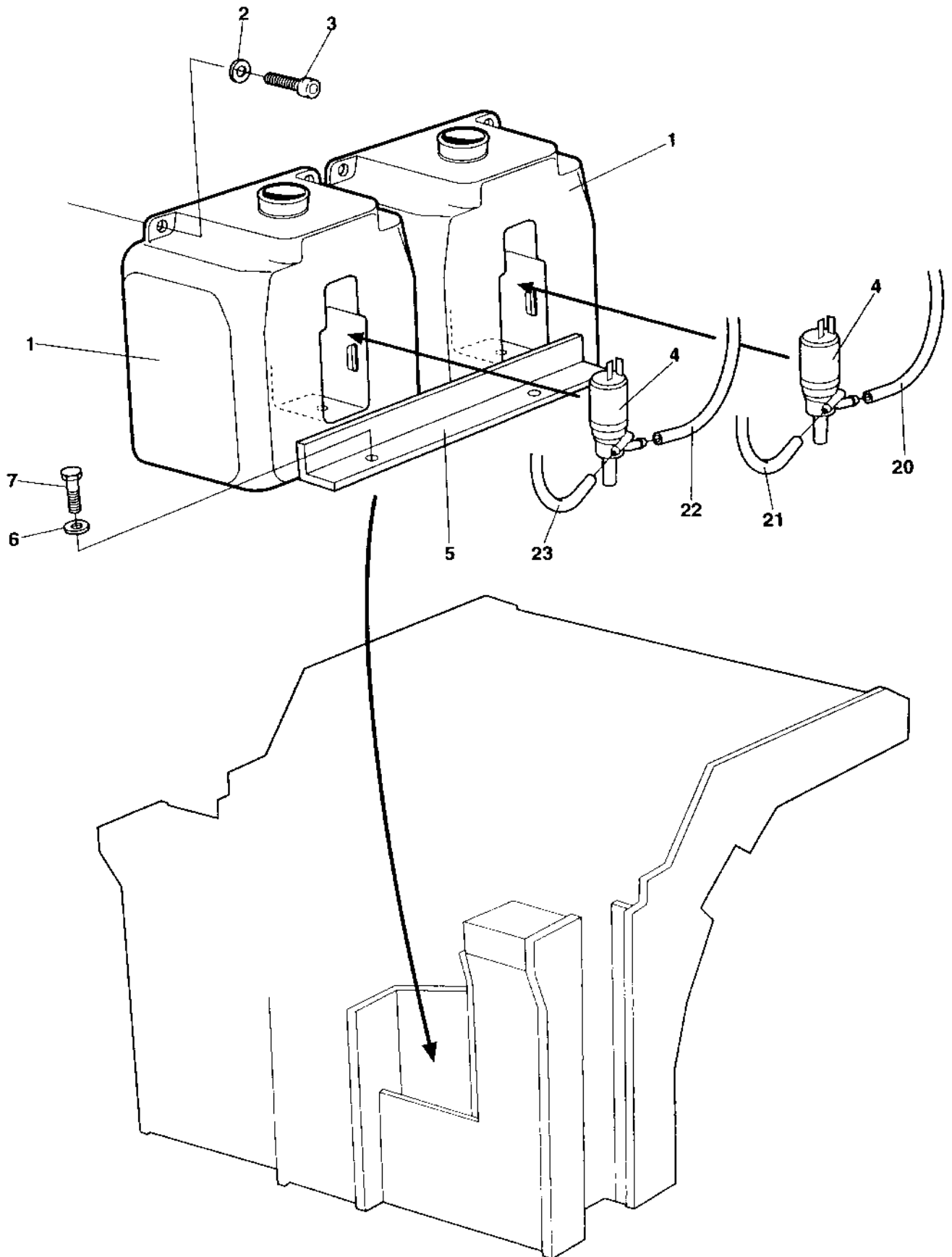
Cab, wipers, front and rear

Ref. No.	Part No.	Rem.	Qty	Description	Code
				Cab, cpl	
107	908272		1	.Wiper motor	
108	908558		1	.Bracket	
109	500012		3	.Screw M6x12	
110	541702		4	.Screw M6x12	
111	908362		1	.Transmission	
112	908273		2	.Wiper arm	
113	908271		2	.Wiper blade	
114	908559		2	.Nozzle	
115	908560	A	2XL	.Rubber hose	
116	908561		1	.Grommet	
117	908562		1	.T-connection	
118	908563	B	1XL	.Plastic hose	
119	908564		1	.Check valve	
120	908278		1	.Wiper motor	
121	908279		1	.Wiper arm	
122	908280		1	.Wiper blade	
123	908559		1	.Nozzle	
124	908560	A	1XL	.Rubber hose	
125	908561		1	.Grommet	
126	908563	B	1XL	.Plastic hose	
127	908564		1	.Check valve	
248	908496		3	.Grommet	
A)	L=1,0 m				
B)	L=6,0 m				



Ref. No.	Part No.	Rem.	Qty	Description	Code
				Cab, cpl	
128	908269		1	.Wiper motor	
129	908565		1	.Bracket	
130	500012		3	.Screw M6x12	
131	541702		4	.Screw M6x12	
132	908363		1	.Transmission	
133	908364		1	.Intermediate shaft	
134	908270		1	.Wiper arm	
135	908271		1	.Wiper blade	
136	908559		1	.Nozzle	
137	908560	A	1XL	.Rubber hose	
138	908561		1	.Grommet	
139	908563		1XL	.Plastic hose	
140	908564		1	.Check valve	
141	908281		1	.Wiper motor	
142	908282		1	.Wiper arm	
143	908271		1	.Wiper blade	
144	908559		1	.Nozzle	
145	908560		1XL	.Rubber hose	
146	908561		1	.Grommet	
147	908563	B	1XL	.Plastic hose	
148	908564		1	.Check valve	
248	908496		2	.Grommet	

A) L=1,0 m
B) L=6,0 m

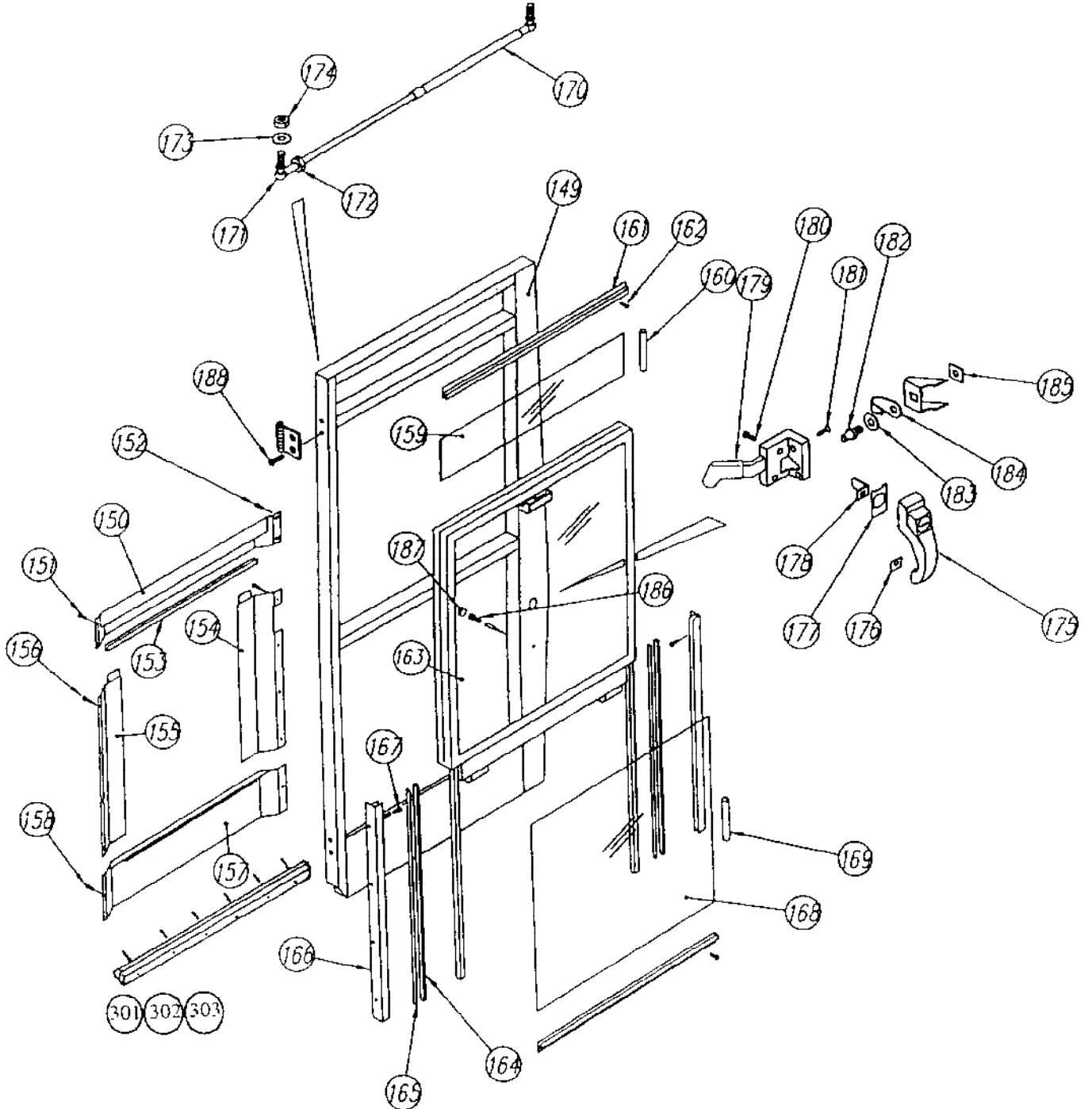


Cab, water tank wipers

Ref. No.	Part No.	Rem.	Qty	Description	Code
1	900998		2	Water reservoir	
2	904228		4	Washer 6,4x12x1,5	
3	500075		4	Screw M6-1x25 8,8	
4	900999		2	Pump	
5	371960		1	Bracket	
6	904228		2	Washer 6,4x12x1,5	
7	500013		2	Screw M6-1x16 8,8	
20			1	Hose Forward center	
21			1	Hose Rear center	
22			1	Hose Forward right	
23			1	Hose Rear right	

Cab, door, left side

15736-1



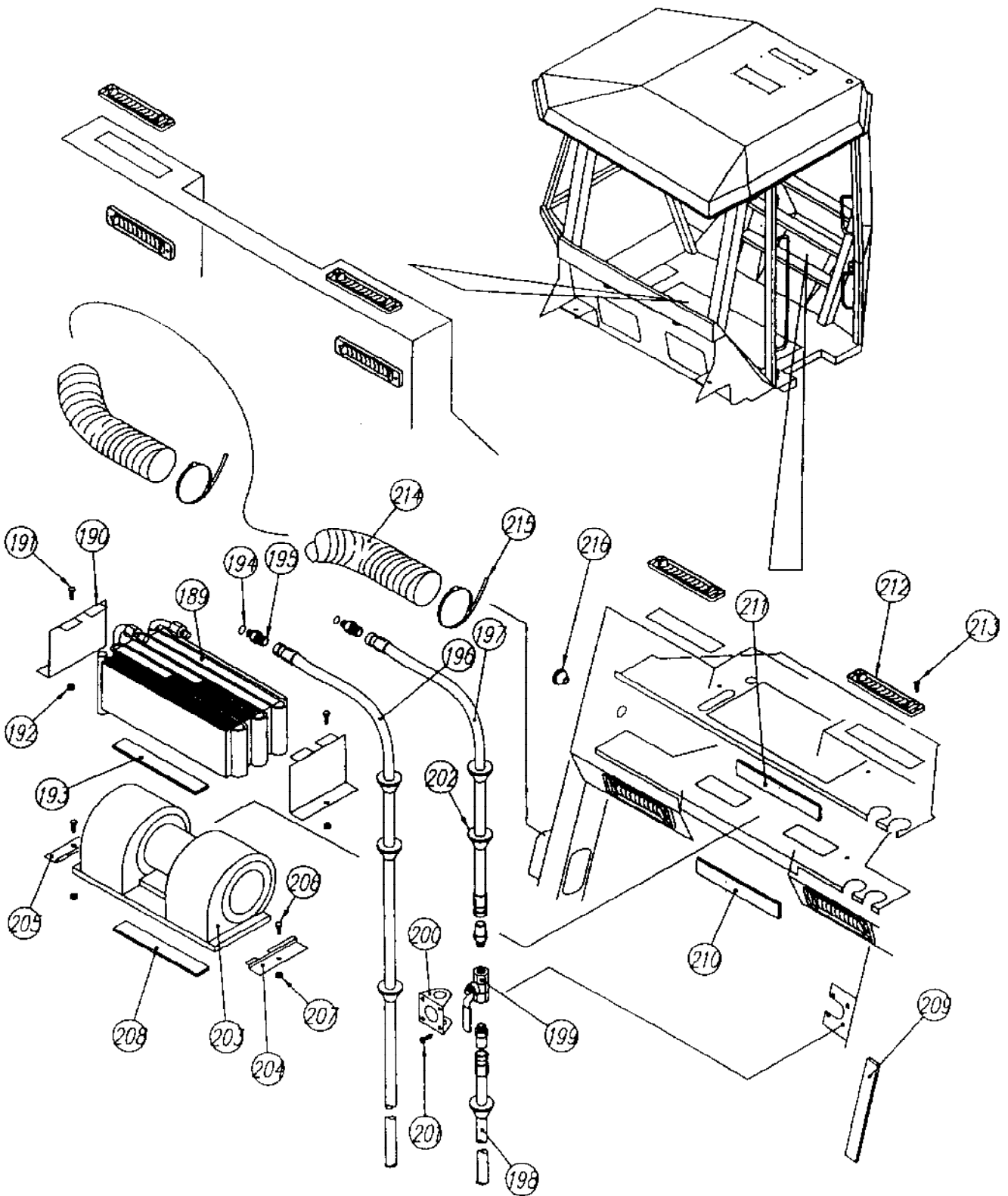
Cab, door, left side

Ref. No.	Part No.	Rem.	Qty	Description	Code
			1	Cab, cpl	
149	908566		1	.Door frame, left	
150	908567		1	.Cover	
151	541702		2	.Screw M6x12	
152	500012		2	.Screw M6x12	
153	908568	A	1XL	.Edge trim	
154	908569		1	.Cover	
155	908570		1	.Cover	
156	901315		8	.Screw	
157	908571		1	.Cover	
158	903805		6	.Screw	
159	908260		1	.Screen Bronze	
	937406		1	.Screen Green	
160	908545	B	1XL	.Seal list	
161	908572		2	.List	
162	903782		10	.Screw	
163	908261	C	1	.Screen Bronze	
	937407		1	.Screen Green	
164	908573	D	1XL	.Sealing	
165	908574	D	1XL	.Sealing	
166	908575		2	.Slide bar	
167	901315		8	.Screw	
168	908263		1	.Screen Bronze	
	937408		1	.Screen Green	
169	908545	E	1XL	.Seal list	
170	908284		1	.Gas spring	
	908354		1	.Mounting kit	
171			1	..Joint	
172			1	..Nut	
173			2	..Washer	
174			2	..Nut	
175	935244		1	.Door handle with key	
	902866		1	..Key Marked "455"	D
176	908577		1	..Washer	
177	908578		1	..Washer	
178	908579		1	.Leader	
179	908287		1	.Lock	
180	903805		2	.Screw	
181	903802		2	.Screw	
182	908580		1	.Lock pin	
183	908581		1	.Washer	
184	908582		1	.Cover	
185	908583		1	.Bracket	
186	508001	G	1	.Screw	
187	908584		1	.Rubber seal	
188	513025		4	.Screw	
301	908986		1	.List	
302			6	.Rivet	
303	908987	H	1XL	.Seal	

- A) L=0,70 m
- B) L=1,0 m
- C) UP-DOWN
- D) L=1,4 m
- E) L=1,8 m
- G) Incl in item 175
- H) L=0,75 m

Cab, heater and, fan system

15936



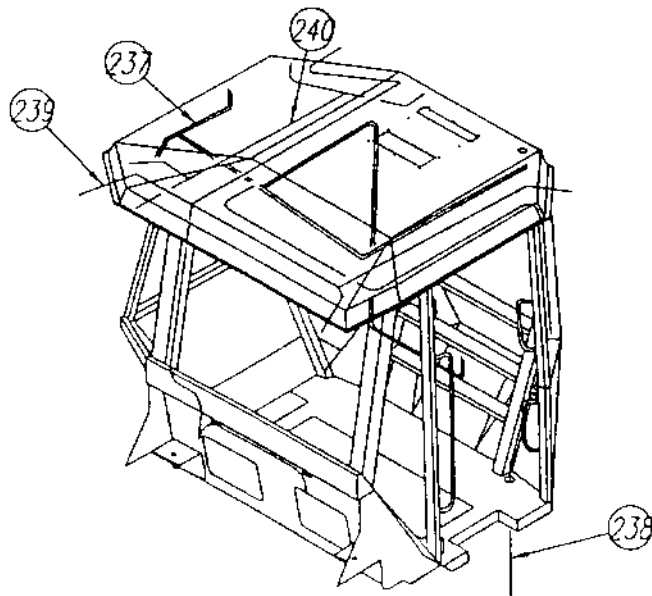
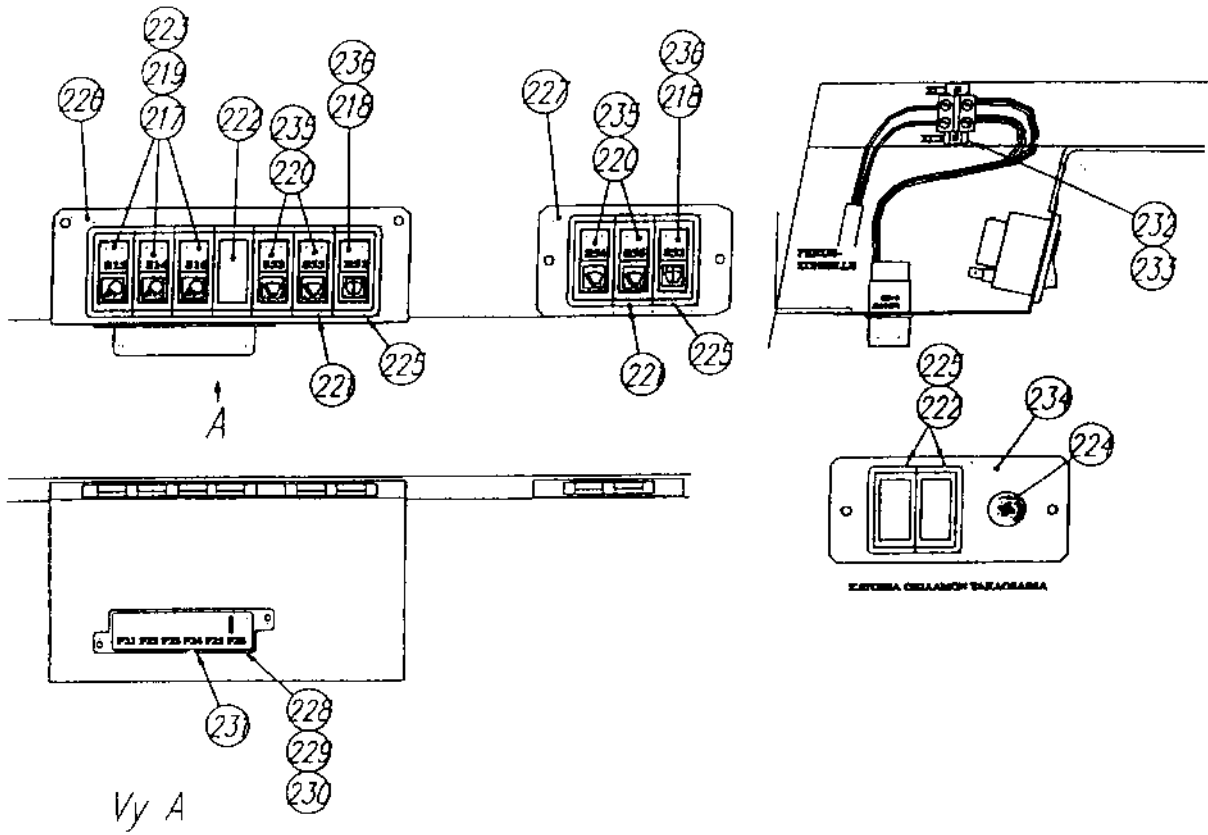
Cab, heater and, fan system

Ref. No.	Part No.	Rem.	Qty	Description	Code
			1	Cab, cpl	
189	908585		1	.Radiator	
190	908586		2	.Bracket	
191	500040		2	.Screw M6-1x20 8,8	
192	570004		2	.Nut M6	
193	908587	A	1XL	.Edge trim	
194	908588		2	.O-ring	
195	908589		2	.Connector	
196	908765		1	.Hose	
197	908591		1	.Hose	
198	908766		1	.Hose	
199	908593		1	.Valve	
200	908594		1	.Bracket	
201	903804		4	.Screw	
202	908496		6	.Grommet	
203	908595		1	.Fan, cpl	
204	908596	B	1	.Bracket	
205	908597	C	1	.Bracket	
206	500040		2	.Screw M6-1x20 8,8	
207	570004		2	.Nut M6	
208	908587	A	1XL	.Edge trim	
209	908587	A	2XL	.Edge trim	
210	908587	D	1XL	.Edge trim	
211	908587	D	1XL	.Edge trim	
212	908598		8	.Nozzle	
213	903806		16	.Screw	
214	908599	D	1XL	.Hose	
215	908600		2	.Clamp	
216	908601		1	.Grommet	

- A) L=1,0 m
- B) Left
- C) Right
- D) L=1,5 m

Cab Roof mounted, electric switches

15738-1



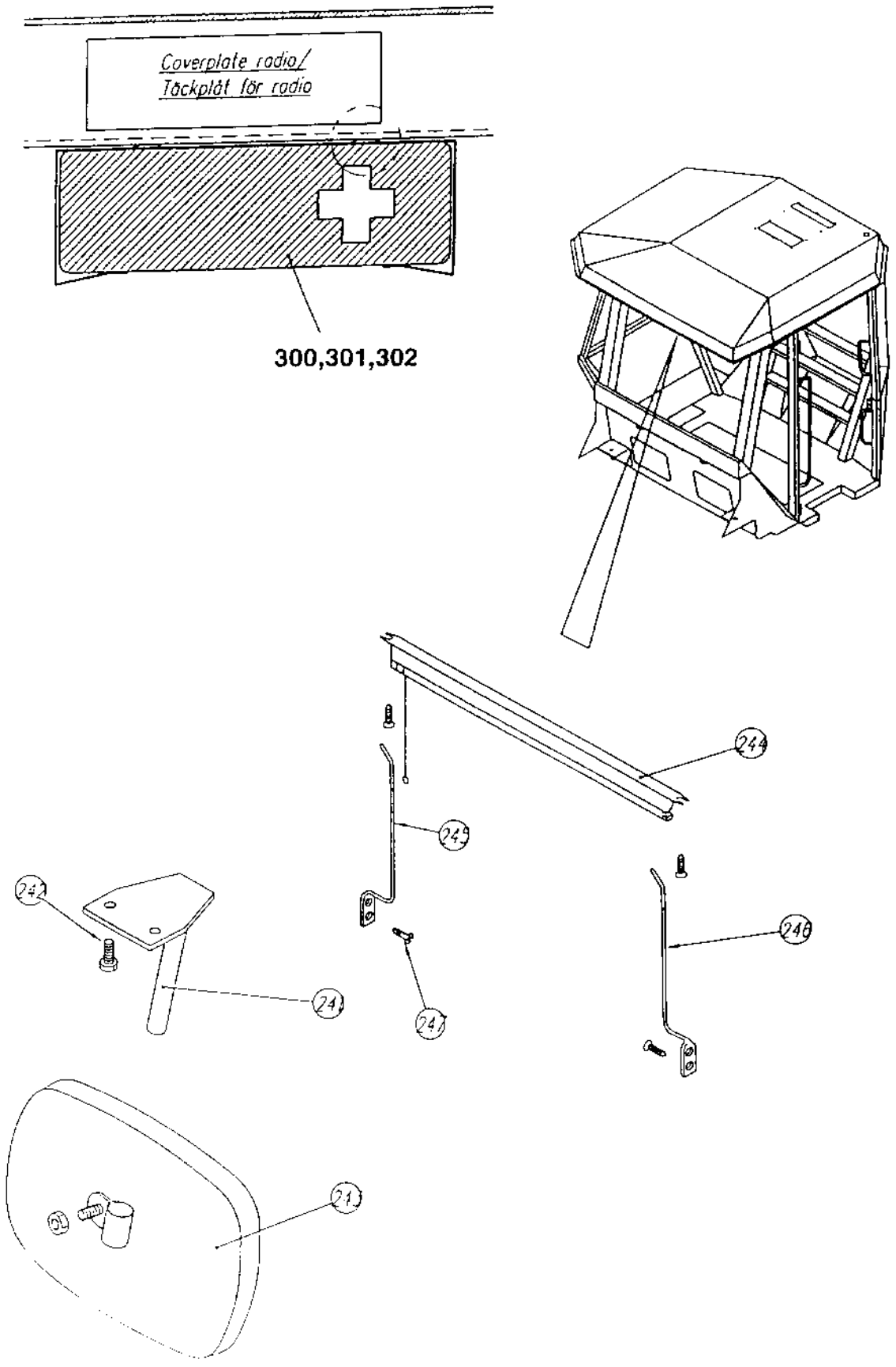
Cab Roof mounted,electric switches

Ref. No.	Part No.	Rem.	Qty	Description	Code
				Cab, cpl	
217	908602		3	.Switch	
218	908603		2	.Switch	
219	908604		3	.Symbol work lights	
220	908605		4	.Symbol wiper	
221	908606		6	.Modular panel	
222	908607		3	.Cover	
223	908608		3	.Socket with bulb	
224	908609		1	.Switch	
225	908610		1	.Modular panel	
226	908611		1	.Bracket	
227	908612		1	.Bracket	
228	908613		1	.Fuse box	
229	901240		4	.Connector	
230	901228		5	.Fuse 15A	B
231	901229		1	.Fuse 25A	B
232	908614		1	.Terminal block	
233	908615		1	.Mounting rail	
234	908616		1	.Bracket	
235	908617		4	.Switch	
236	908618		2	.Symbol washer	
237	908619		1	.Cable harness	
238	908620	A	1	.Cable harness	
239	908621	B	1	.Cable harness	
240	908622	C	1	.Cable harness	

- A) Main supply
- B) Working lights
- C) Wipers

Interior rear mirror Sun curtain, first aid kit

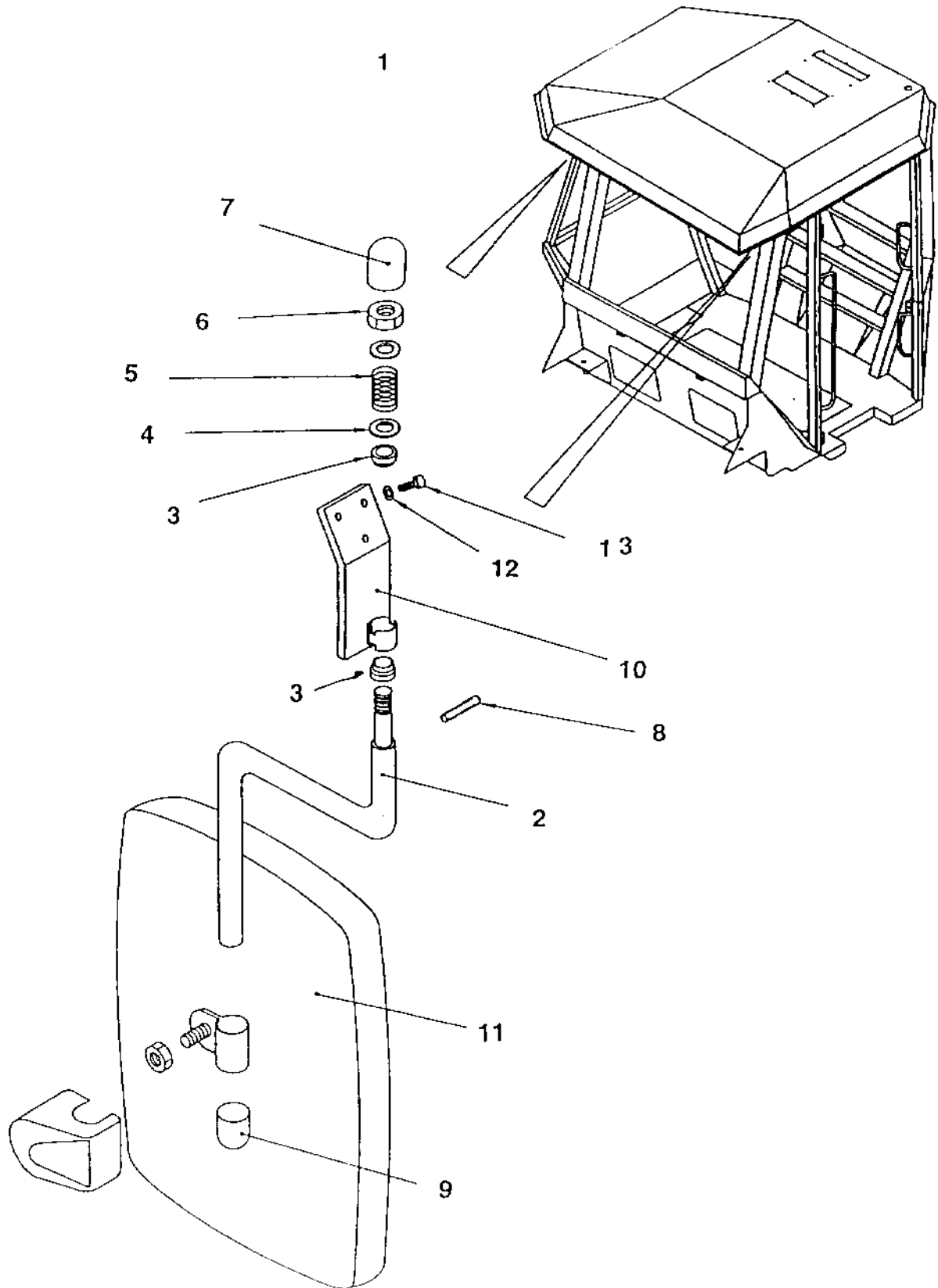
15739-1



Interior rear mirror Sun curtain, first aid kit

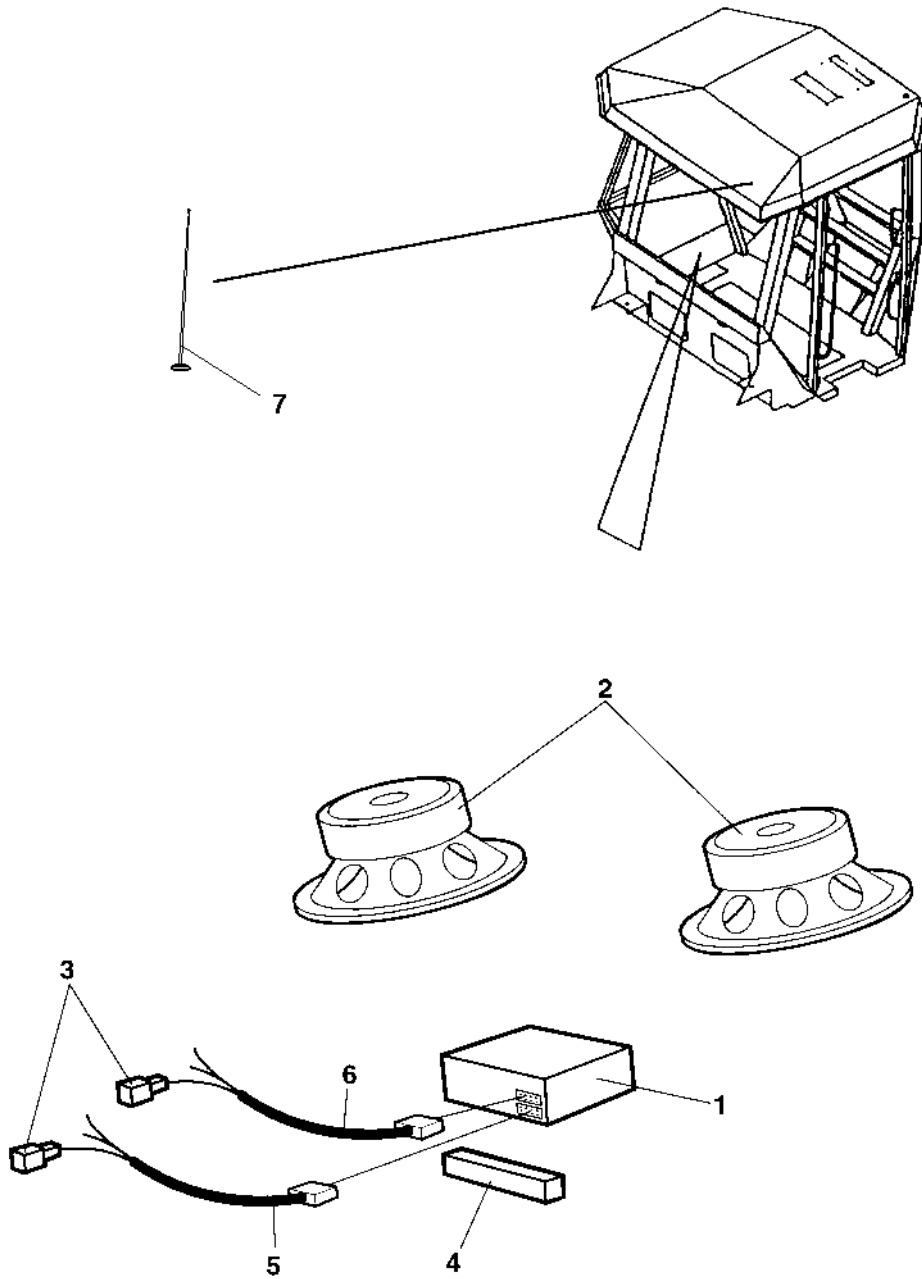
Ref. No.	Part No.	Rem.	Qty	Description	Code
				Cab, cpl	
241	908623		1	.Bracket	
242	908624	A	1	.Rear mirror	
243	513008		2	.Screw	
244	908356		1	.Sun curtain	
245	908358	B	1	.Bar	
246	908357	C	1	.Bar	
247	903803		4	.Screw	
300	902508	D	1	First aid kit	
301	371837	D	1	Holder	
302	624015	D	4	Blind rivet 4,0x8,5	
	903969	D	4	Screw ST4,8x19 Black	

- A) Interior
- B) Right
- C) Left
- D) Option



Ref. No.	Part No.	Rem.	Qty	Description	Code
1	371730	A	1	Rear mirror	
2	908355		1	.Arm	
3	908625		2	.Sleeve	
4	904232		2	.Washer 17x30x3	
5	908626		1	.Spring	
6	586021		1	.Nut M16	
7	908627		1	.Cap	
8	629066		1	.Spirol pin	
9	908623		1	.Bracket	
10	908361		1	.Bracket	
11	908265		1	.Rear mirror	
12	904229		6	Washer 8,4x16x1,5	
13	500019		6	Screw M8-1,25x16 8,8	

A) Option



Radio and cassette player

Ref. No.	Part No.	Rem.	Qty	Description	Code
1	904939		1	Radio and cassette player	
2	904940	A	1	Loud speaker	
3	927403	B	7	Terminal	
4	202043	C	1XL	Rubber strip	
5	904969		1	Power connection	
6	904970		1	Speaker connection	
7	937165	1	1	Antenna	

1) Included in cab.

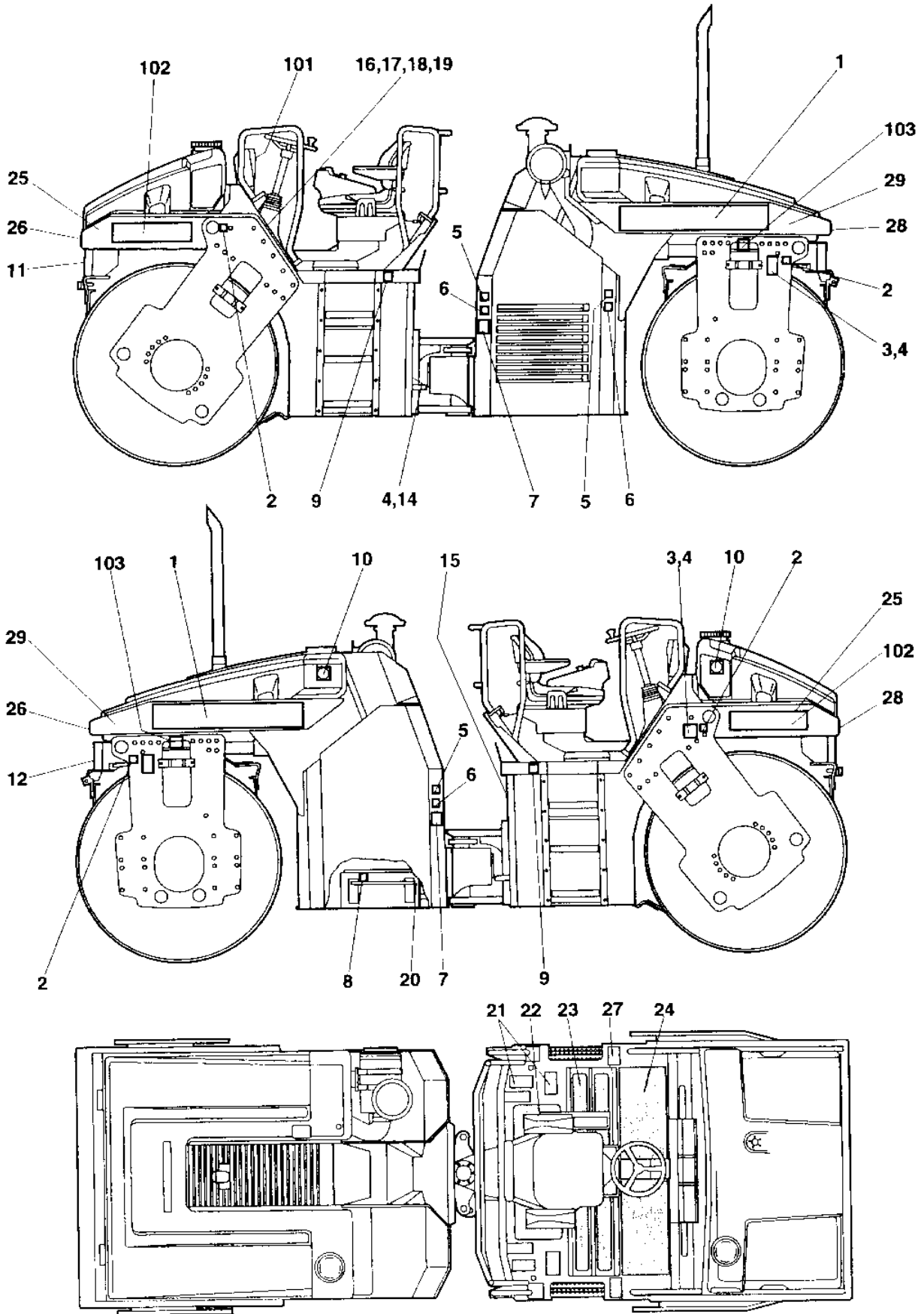
A) 2 pcs

B) Female

C) L=0,2 m

Decals

Ref. No.	Part No.	Rem.	Qty	Description	Code
100				Plates and decals (Page 282)	

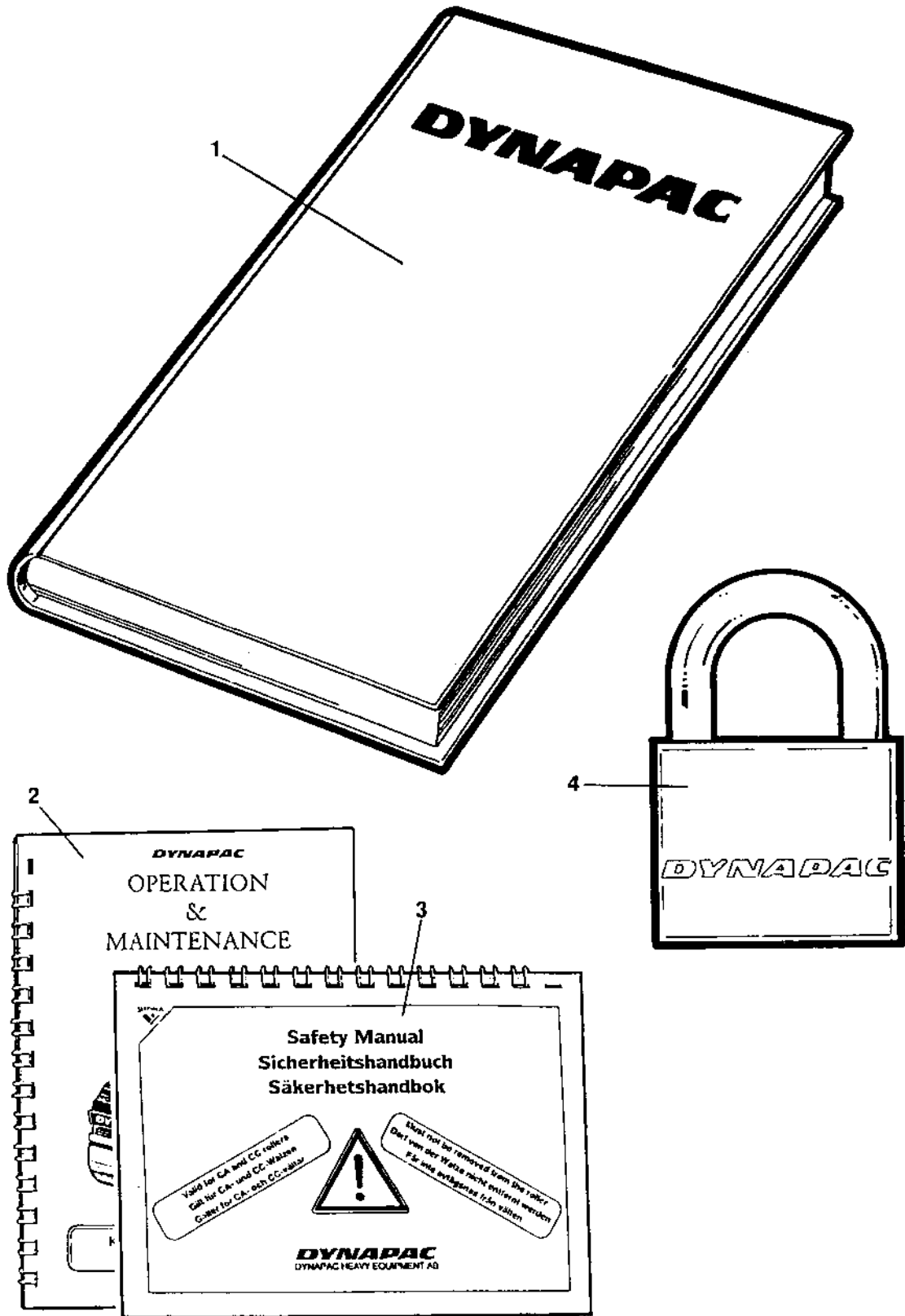


Plates and decals

Ref. No.	Part No.	Rem.	Qty	Description	Code
1	904095		2	Decal "DYNAPAC" L=880 mm	
2	357587		4	Decal "LIFT POINT"	
3	343017		2	Lifting sign	
4	624016		12	Blind rivet	
5	903424	A	3	Decal "HOT SURFACE"	
6	903423	B	3	Decal "SAFETY"	
7	903422	C	2	Decal "SAFETY"	
8	272372		1	Decal "HYDRAULIC OIL"	
9	903459	D	2	Decal "SAFETY"	
10	991657		2	Decal "WATER"	
11	901187		2	Reflector, white	B
12	901182		2	Reflector, red	B
14	358090		1	Product plate ce	
15	991658		1	Decal "FUEL"	
16	903425		1	Decal "SAFETY MANUAL"	
17	357643		1	Wire	
18	904697		1	Washer 3,2x6x0,5	
19	358254		1	Key-ring	
20	272373		1	Decal "HYDRAULIC OIL"	
21	370058	H	4	Protection	
22	372124	I	1	Protection	
23	372121	J	2	Protection	
24	372122	K	1	Protection	
25	372161	L	2XL	Decal "RED" W=230 mm	
26	370084	L	2XL	Decal "RED" W=140 mm	
27	372123	N	2	Protection	
28	904092		2	Decal "DYNAPAC" L=590 mm	
29	370085	L	2XL	Decal "RED" W=200 mm	
101	349248SE		1	Decal "WARNING" Swedish	
	349248EN		1	Decal "WARNING" English	
	349248DE		1	Decal "WARNING" German	
	349248IT		1	Decal "WARNING" Italian	
	349248ES		1	Decal "WARNING" Spanish	
	349248FR		1	Decal "WARNING" French	
102	903609		2	Decal "MODEL CODE" CC422	
	903611		2	Decal "MODEL CODE" CC522	
103	355983	S	2	Decal "TYRE PRESSURE"	

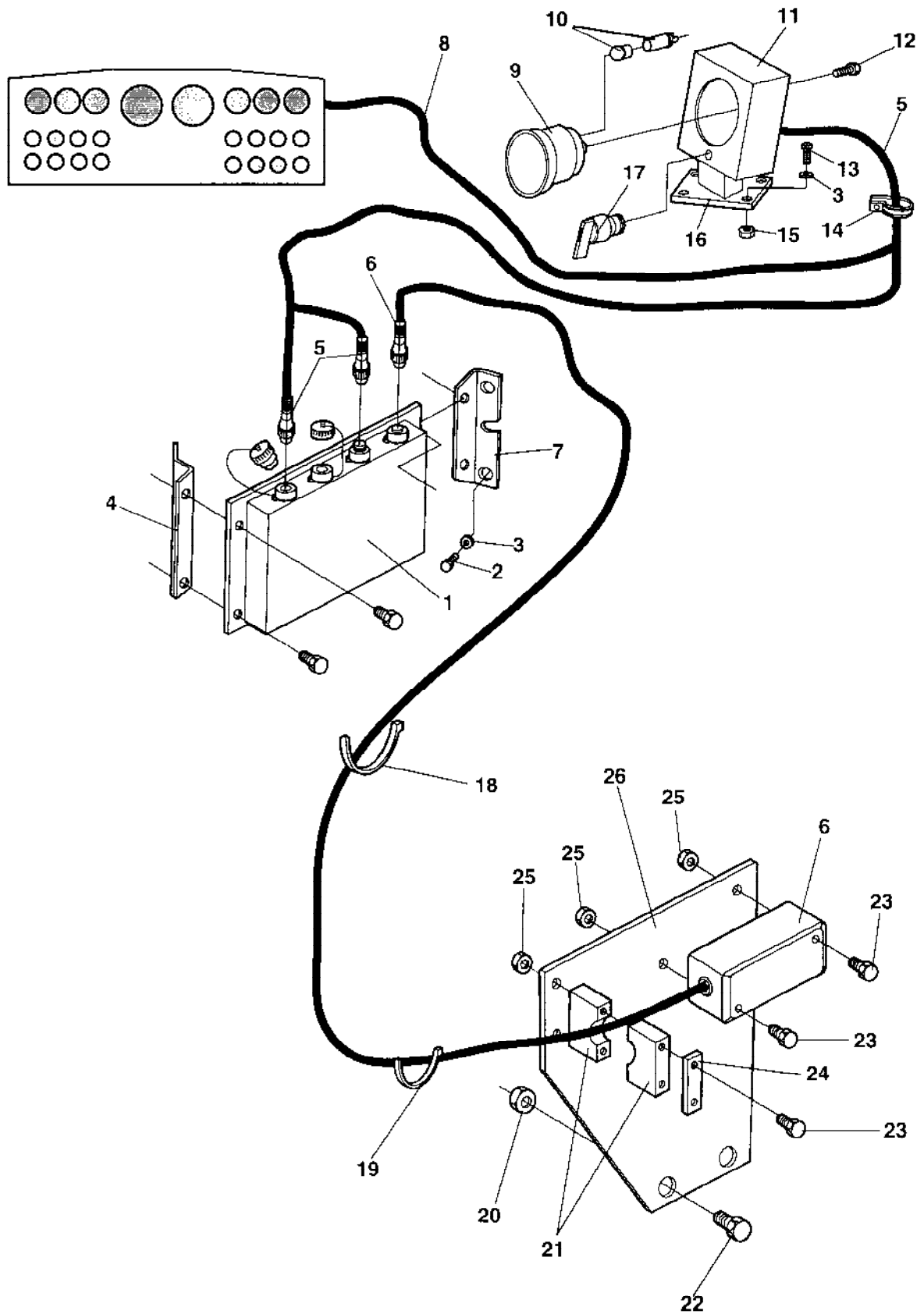
- A) Hot surface
- B) Engine fan
- C) Hazardous area
- D) Read instr. manual
- H) Small, rear
- I) Rear
- J) Middle
- K) Front
- L) Length as required
- N) Small, front
- S) Combi only

Ref. No.	Part No.	Rem.	Qty	Description	Code
100				Standard equipment (Page 286)	



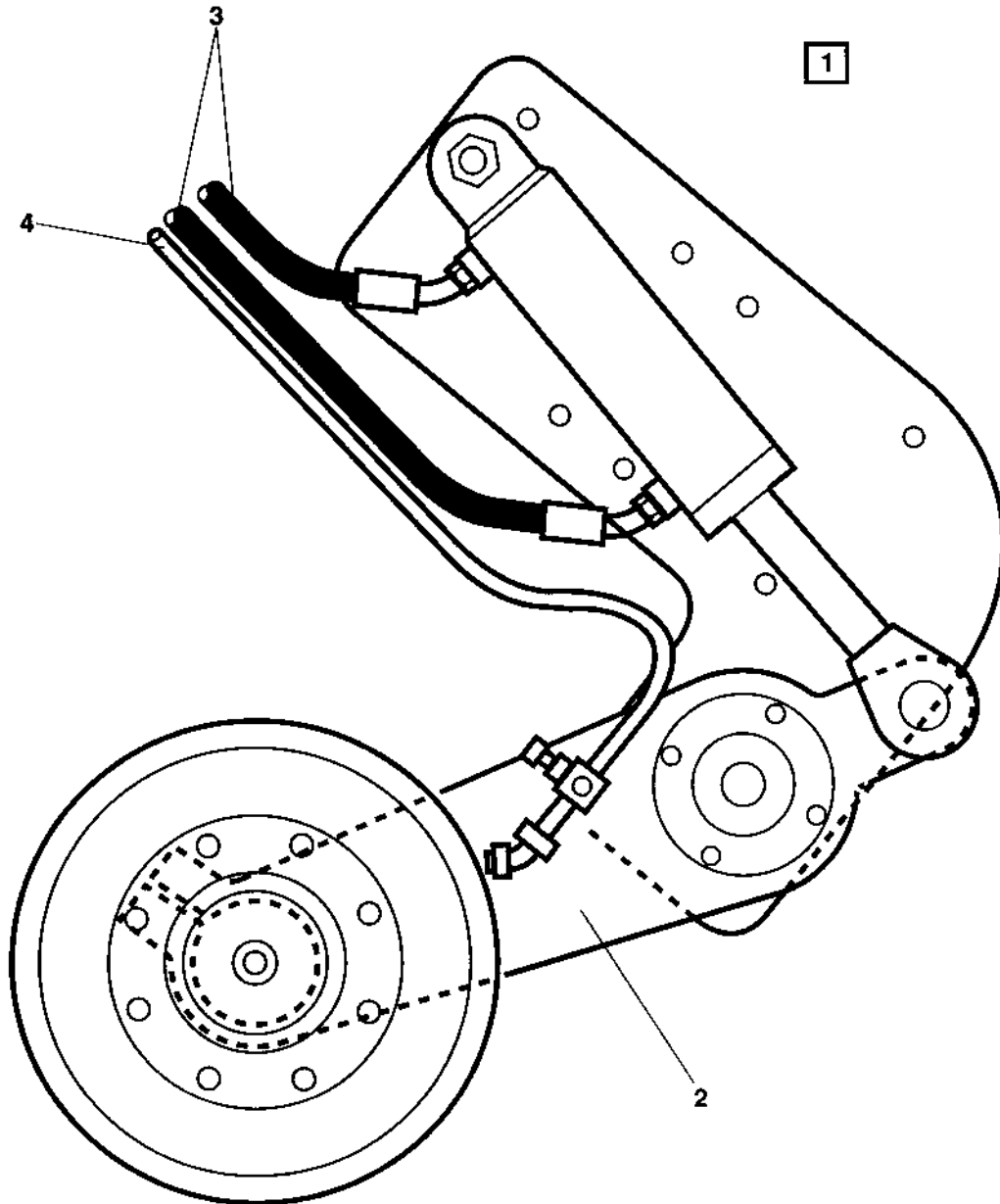
Ref. No.	Part No.	Rem.	Qty	Description	Code
1			1	Documentation OMS522	
			1	.Warranty registration card	
			1	.Operating instruction O422	
			1	.Maintenance instruction M422	
			1	.Spare parts catalogue SCC522	
2			1	.Operating / maintenance instruction OM422	
3			1	.Safety manual RSAFE	
4	358881		1	Pad lock	

Ref. No.	Part No.	Rem.	Qty	Description	Code
10				Compaction meter (Page 290)	
20				Edge cutter cpl (Page 292)	
100				Eyelet (Page 302)	
110				SMV sign (Page 304)	
120				Tool equipment (Page 306)	
200				Brake release, prop. motors (Page 308)	
210				Air conditioner assembly (Page 310)	
220				Roof hatch (Page 316)	
300				Asphalt temperature meter (Page 318)	



Compaction meter

Ref. No.	Part No.	Rem.	Qty	Description	Code
1	372008		1	Processor comp.meter	
2	500053		4	Screw M8-1,25x20 8,8	
3	904229		4	Washer 8,4x16x1,5	
4	374272		1	Bracket	
5	374493		1	Cable harness Up to 62910638	
	376200		1	Cable harness From 62910639	
6	348213		1	Sensor, cpl	
7	374271		1	Bracket	
8	374294		1	Cable harness Up to 62910638	
	376201		1	Cable harness From 62910639	
9	383452		1	Compaction meter	
10	904890		2	.Lamp holder	
	904889		2	.Bulb	
11	373096		1	Instrument box	
12	541526		4	Screw	
13	500022		2	Screw M8-1,25x30 8,8	
14	921072		1	Clamp	
15	570005		2	Nut M8	
16	374225		1	Bracket	
17	930151		1	Switch	D
18	313102		10	Cable ties	
19	313041		10	Cable ties L=186 mm	
20	902288		2	Nut	
21	902496		1	Clamp	
22	500194		2	Screw M12x40	
23	500079		4	Screw M6-1x50 8,8	
24	923859		1	Cover plate	
25	902282		4	Screw	
26	374293		1	Bracket	

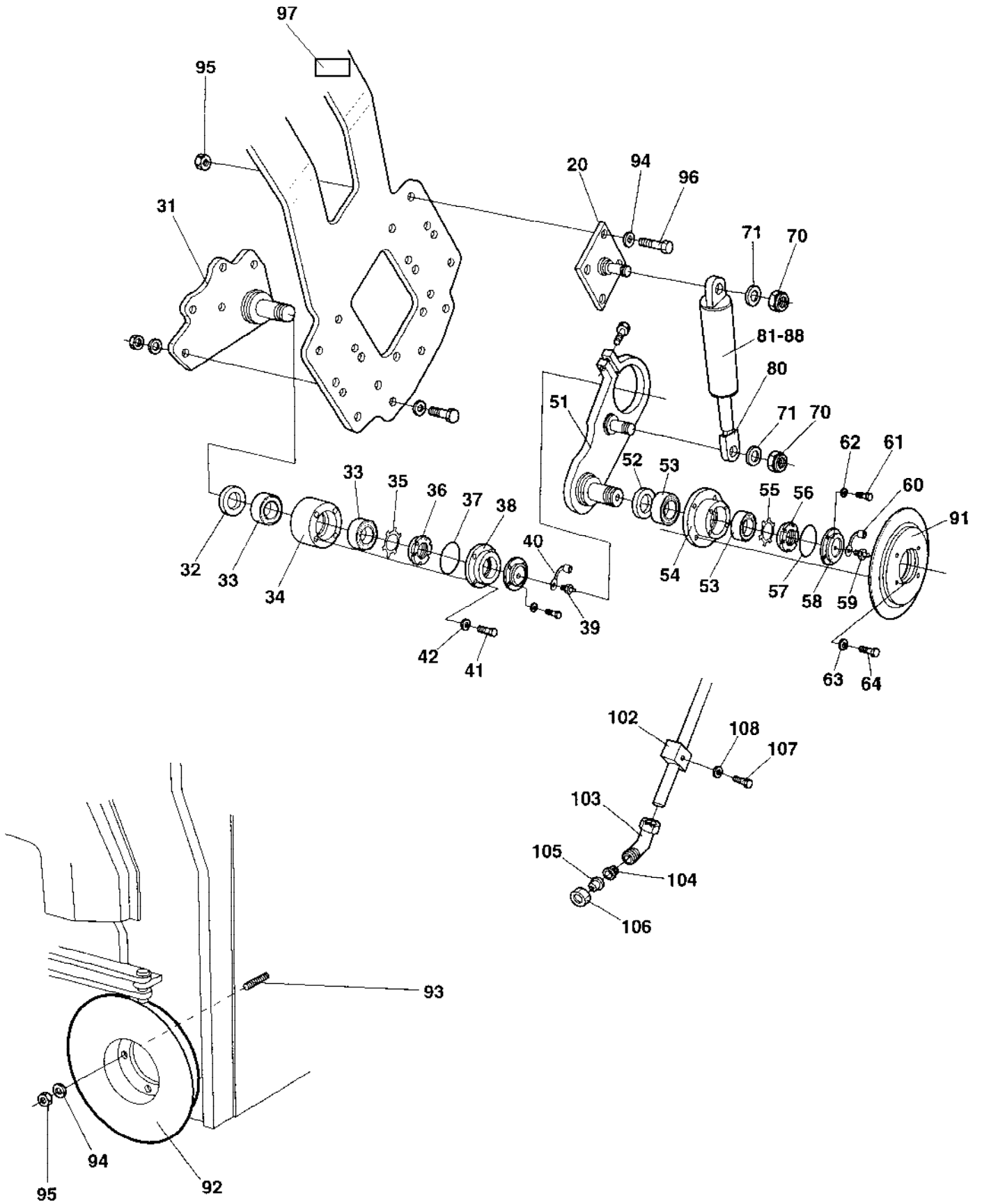


Edge cutter cpl

Ref. No.	Part No.	Rem.	Qty	Description	Code
1			1	Edge cutter	
			1	Edge cutter offset	
2			1	Edge cutter (Page 294)	
3			1	Edge cutter Hydraulics without offset (Page 296)	
			1	Edge cutter Hydraulics with offset (Page 298)	
4			1	Edge cutter Sprinkler system (Page 300)	

Edge cutter

17069

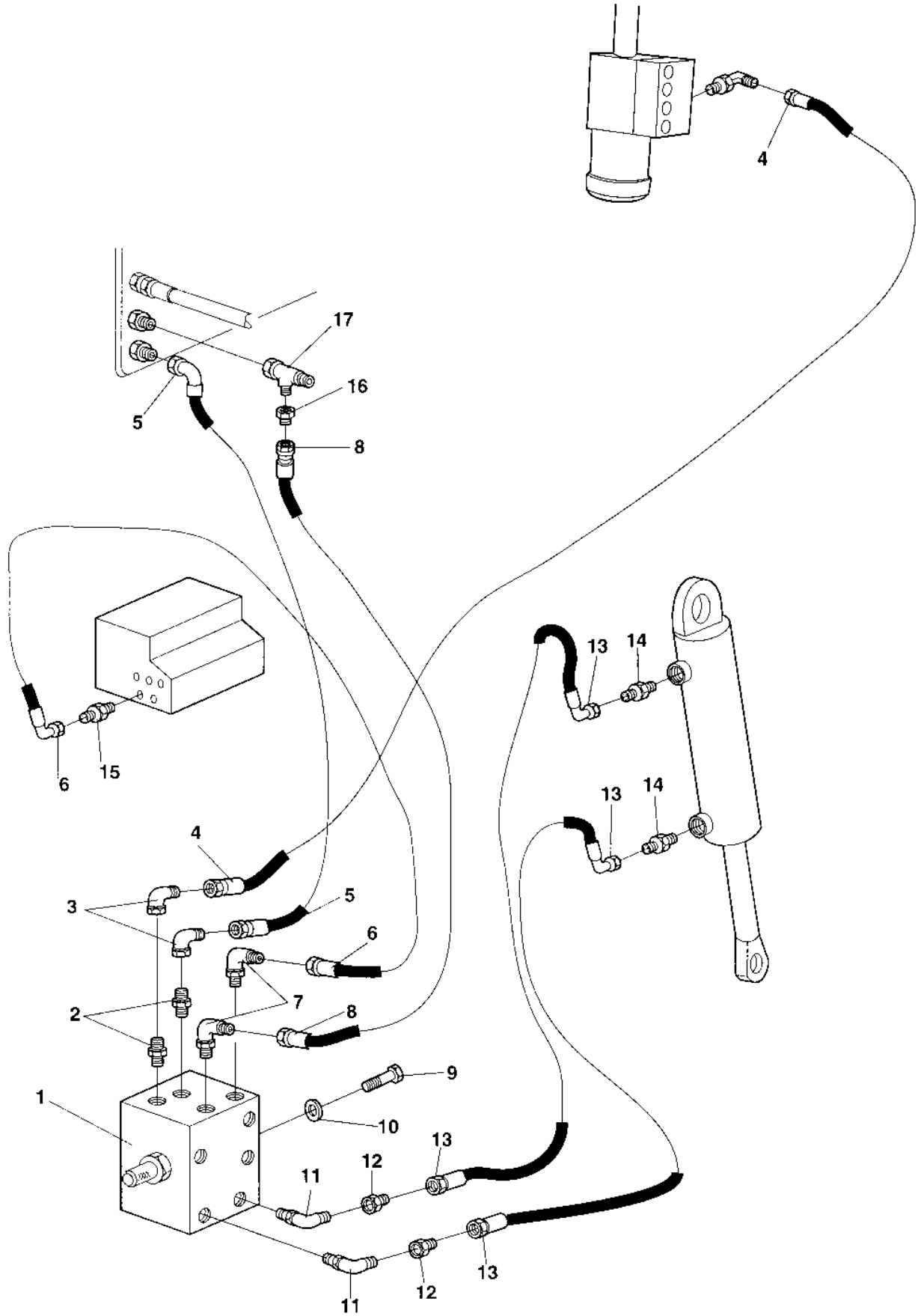


Edge cutter

Ref. No.	Part No.	Rem.	Qty	Description	Code
1	374345		1	Edge cutter cpl	
20	935648	B	1	.Holder plate	
31	935650	A	1	.Holder plate	
32	909301		1	.Seal	
33	909302		2	.Bearing	
34	938125		1	.Housing	
35	909304		1	.Washer	
36	909305		1	.Nut	
37	909306		1	.O-ring	
38	938126		1	.Cover	
39	909308		1	.Grease nipple	
40	909309		1	.Protection	
41	936006		4	.Screw	
42	909311		4	.Retainer washer	
51	935649		1	.Lever	
52	909301		1	.Seal	
53	909302		2	.Bearing	
54	909303		1	.Tool holder	
55	909304		1	.Washer	
56	909305		1	.Nut	
57	909306		1	.O-ring	
58	909307		1	.Cover	
59	909308		1	.Grease nipple	
60	909309		1	.Protection	
61	909310		4	.Screw	
62	909311		4	.Retainer washer	
63	909312		4	.Retainer ring	
64	909313		4	.Screw	
70	909288		2	.Nut	
71	909289		2	.Washer	
80	909291		1	.Cylinder end	
81	909290		1	.Cylinder	
82	909292		2	..Bearing	
83	909293		4	..Retainer ring	
84	909294		2	..Screw	
86	909299		1	..Seal kit	
88	909298		2	..Grease nipple	
91	909236		1	.Cutting disc	
92	909237		1	.Edge roller	
93	904329		2	.Threaded stud	
94	904231		10	.Washer 13x24x2	
95	586019		6	.Lock nut M12	
96	500197		4	.Screw 12x90 8.8	
97	904083		1	.Safety decal, Edge cutter	
101	909274		1	.Sprinkler pipe	
102	909275		1	.Bracket	
103	909276		1	.Connector	
104	909277		1	.Strainer	
105	909278		1	.Nozzle	
106	909279		1	.Nut	
107	909280		1	.Screw	
108	909281		1	.Nut	
A)	Lower				
B)	Upper				

Edge cutter Hydraulics without offset

17062

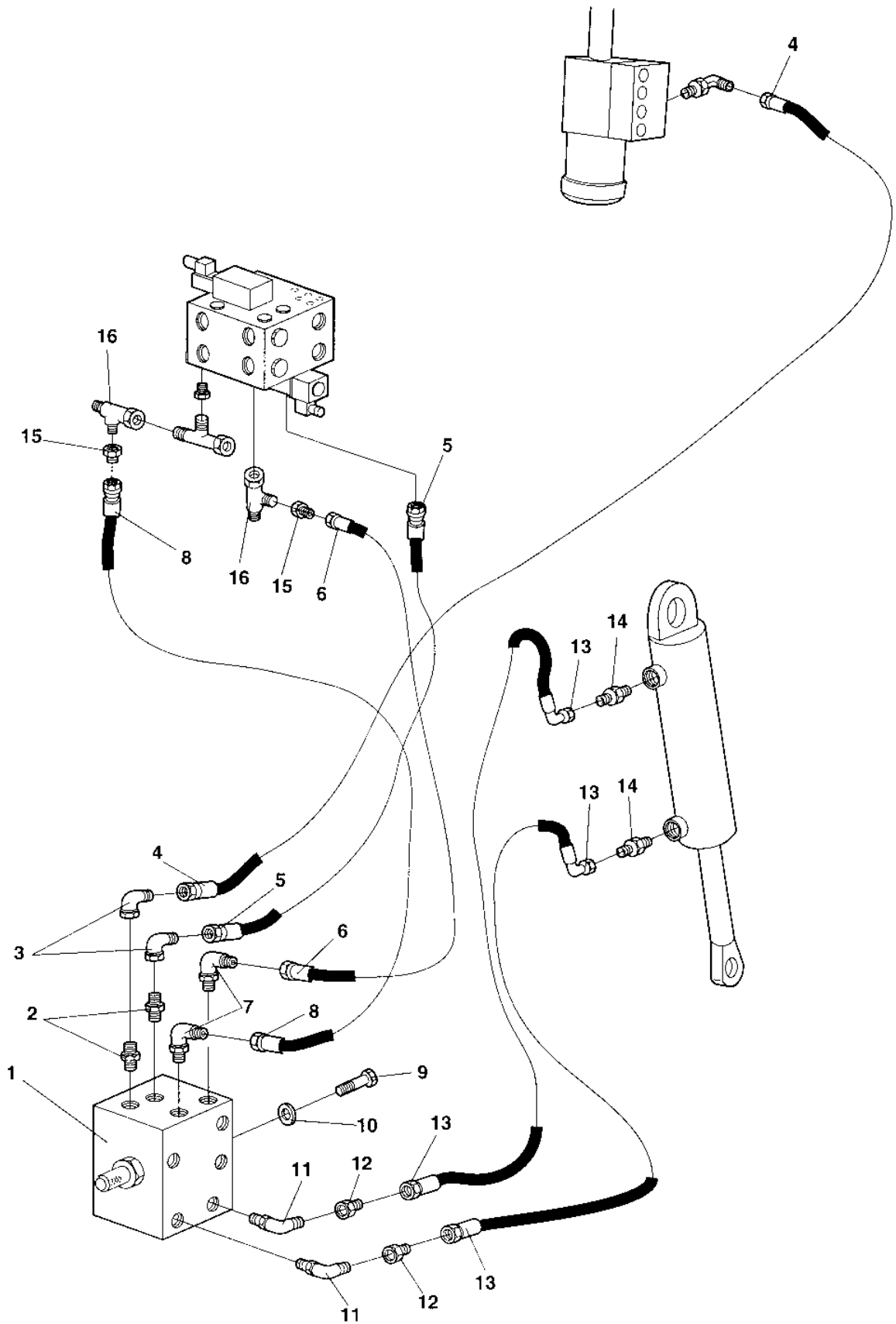


Edge cutter Hydraulics without offset

Ref. No.	Part No.	Rem.	Qty	Description	Code
1	372266		1	Valve	
2	234388		2	Connector	
3	334196		2	Elbow 90	
4	483210		1	Hydraulic hose	
5	483045		1	Hydraulic hose	
6	483208		1	Hydraulic hose	
7	334420		2	Elbow 90	
8	483209		1	Hydraulic hose	
9	500023		3	Screw M8-1,25x40 8,8	
10	904229		3	Washer 8,4x16x1,5	
11	813500		2	Elbow 45, O-ring	
12	334264		2	Reducing	
13	483204		2	Hydraulic hose	
14	334199		2	Straight o-ring connector	
15	334199		1	Straight o-ring connector	
16	334461		1	Reducing	
17	334135		1	T-connector	

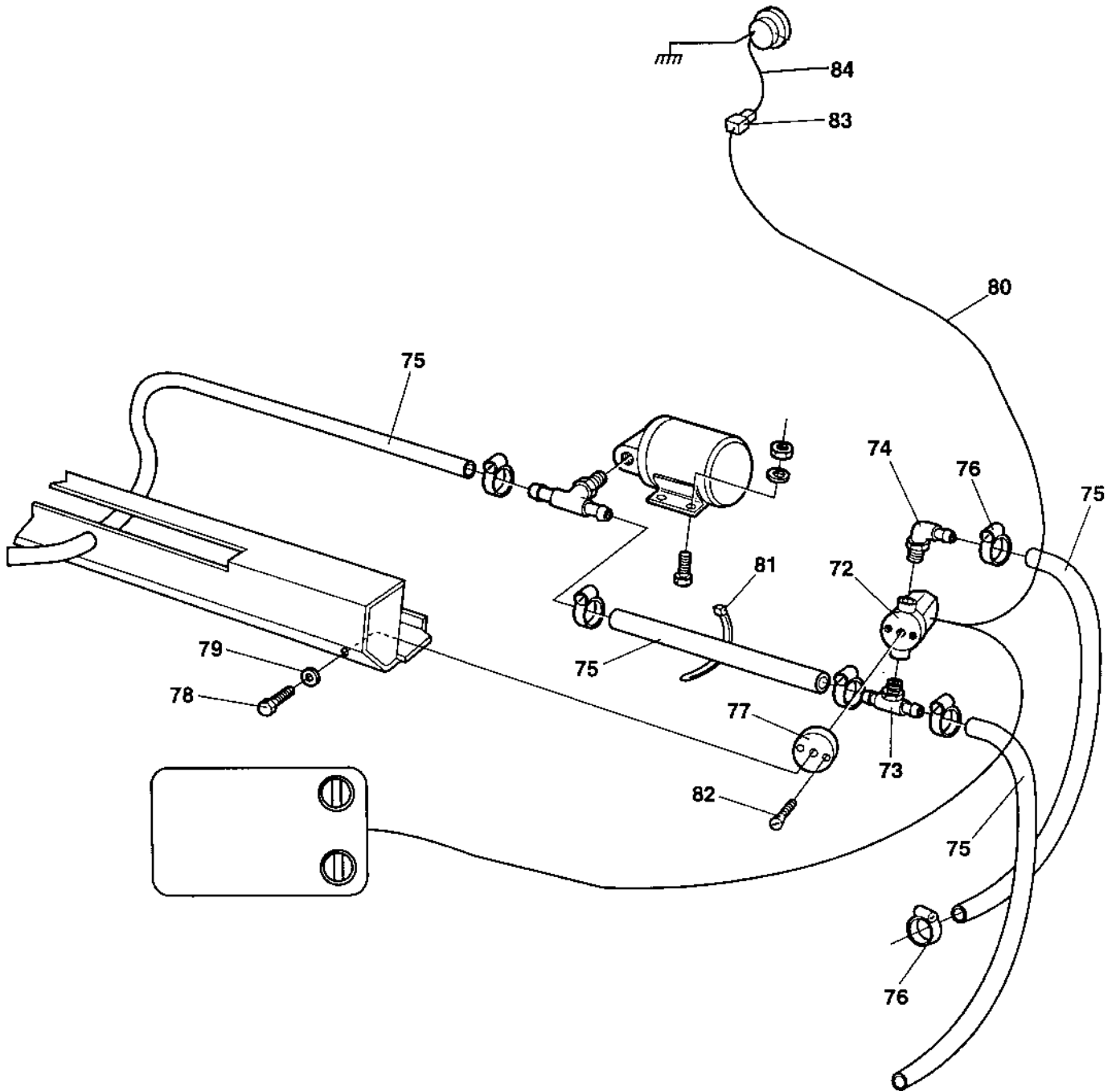
Edge cutter Hydraulics with offset

17066



Edge cutter Hydraulics with offset

Ref. No.	Part No.	Rem.	Qty	Description	Code
1	372266		1	Valve	
2	234388		2	Connector	
3	334196		2	Elbow 90	
4	482206		2	Hydraulic hose	
5			1	Hydraulic hose	
6	483205		1	Hydraulic hose	
7	334420		2	Elbow 90	
8	483206		1	Hydraulic hose	
9	500023		3	Screw M8-1,25x40 8,8	
10	904229		3	Washer 8,4x16x1,5	
11	813500		2	Elbow 45, O-ring	
12	334264		2	Reducing	
13	483204		2	Hydraulic hose	
14	334199		2	Straight o-ring connector	
15	334461		2	Reducing	
16	334135		2	T-connector	



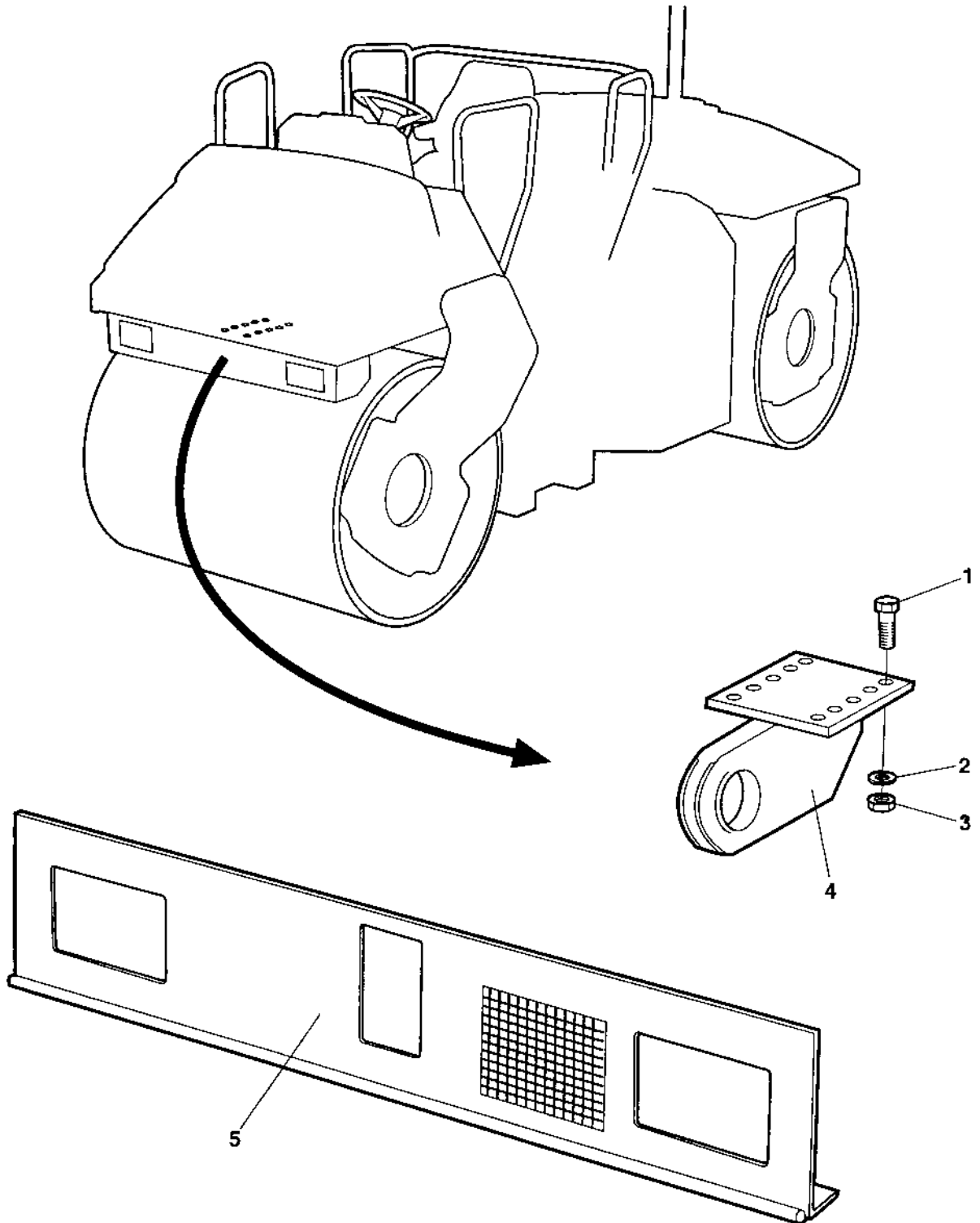
Edge cutter Sprinkler system

Ref. No.	Part No.	Rem.	Qty	Description	Code
72	287713		1	Solenoid valve	
73	903879		1	Connector	
74	901431		1	Hose connection	
75	244054	A	1XL	Hose reinforced 0,65 m	
76	313002		4	Hose clamp	
77	372315		1	Bracket	
78	500013		1	Screw M6-1x16 8,8	
79	904228		1	Washer 6,4x12x1,5	
80	372364		1	Cable harness Up to 62510715	
	376191		1	Ground cable From 62510716	
81	313041		15	Cable ties L=186 mm	
82	535003		2	Screw	
83	925958		1	Connection	
84	904588		1	Cable harness	

A) L=2.8 m

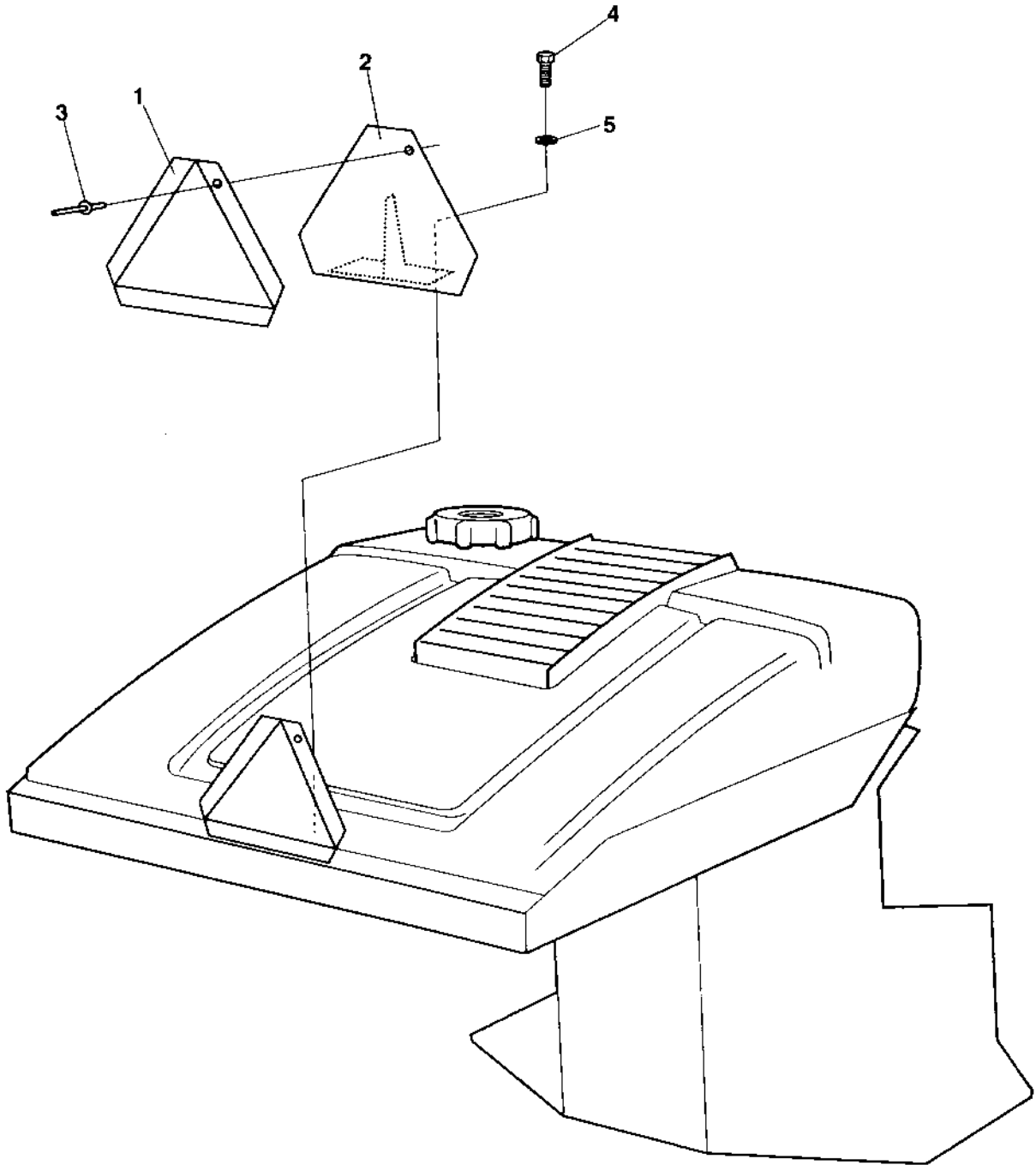
Eyelet

15714-1



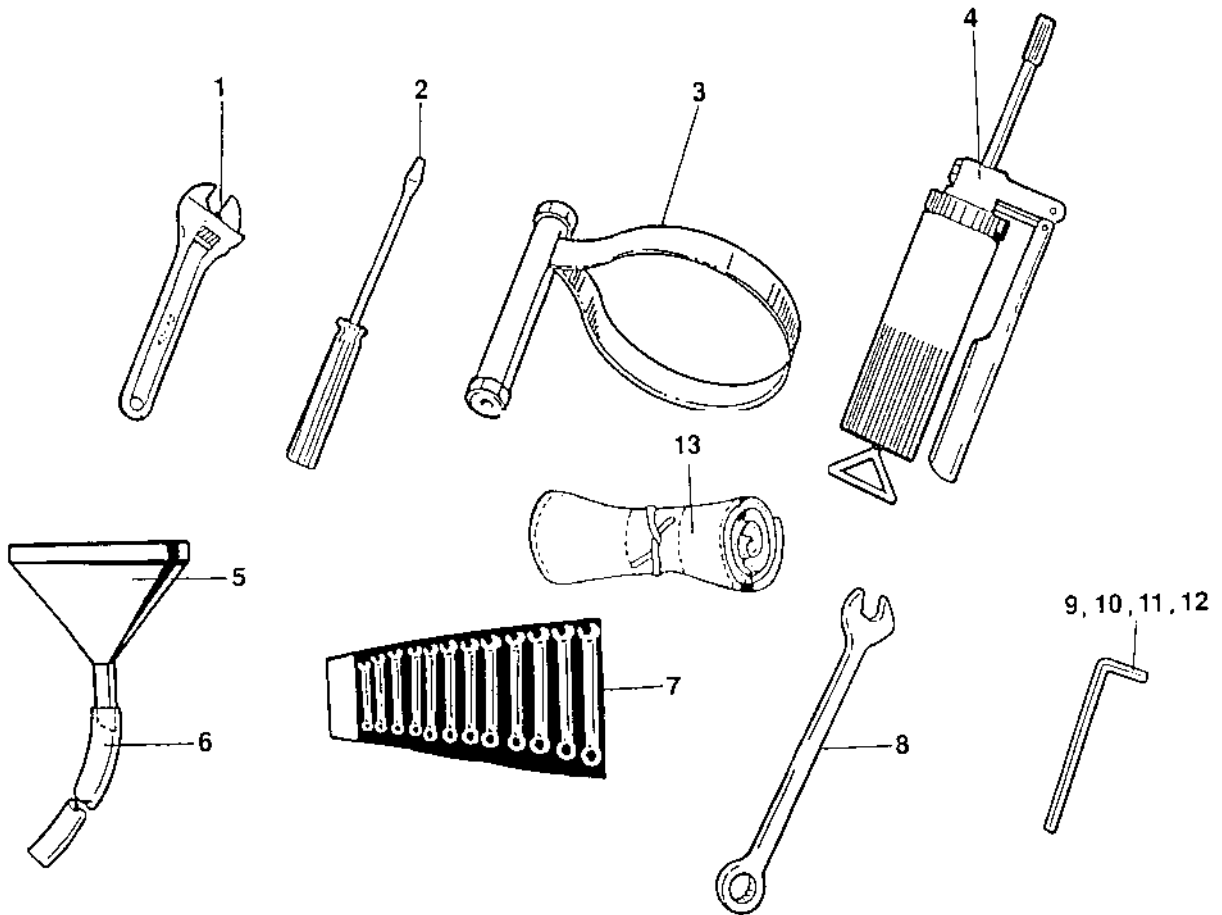
Eyelet

Ref. No.	Part No.	Rem.	Qty	Description	Code
1	947689		10	Screw	
2	904231		10	Washer 13x24x2	
3	928849		10	Nut	
4	371221		1	Eyelet	
5	359448		1	Cover Up to 62910583	
	374551		1	Cover From 62910584	



SMV sign

Ref. No.	Part No.	Rem.	Qty	Description	Code
1	476019		1	SMV sign	D
2	370835		1	Sign holder	
3	624011		6	Pop rivet	
4	500019		2	Screw M8-1,25x16 8,8	
5	904229		2	Washer 8,4x16x1,5	

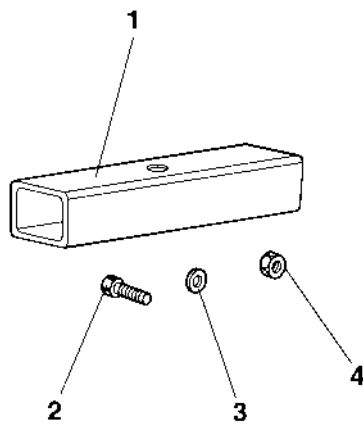


Tool equipment

Ref. No.	Part No.	Rem.	Qty	Description	Code
1	485011		1	Adjustable wrench	
2	485019		1	Screw driver	
3	902610		1	Belt pliers	
4	311016		1	Grease gun	
5	485040		1	Filling funnel	
6	244026	A	1XL	Plastic hose	
7	901212	B	1	Open end spanner	
8	902578		1	Open end spanner 22 mm	
	901213		1	Open end spanner 24 mm	
9	485005		1	Allen wrench 1/4"	
10	485037		1	Allen wrench 3/8"	
11	485388		1	Allen wrench 6 mm	
12	485006		1	Allen wrench 8 mm	
13	277992		1	Tool bag	

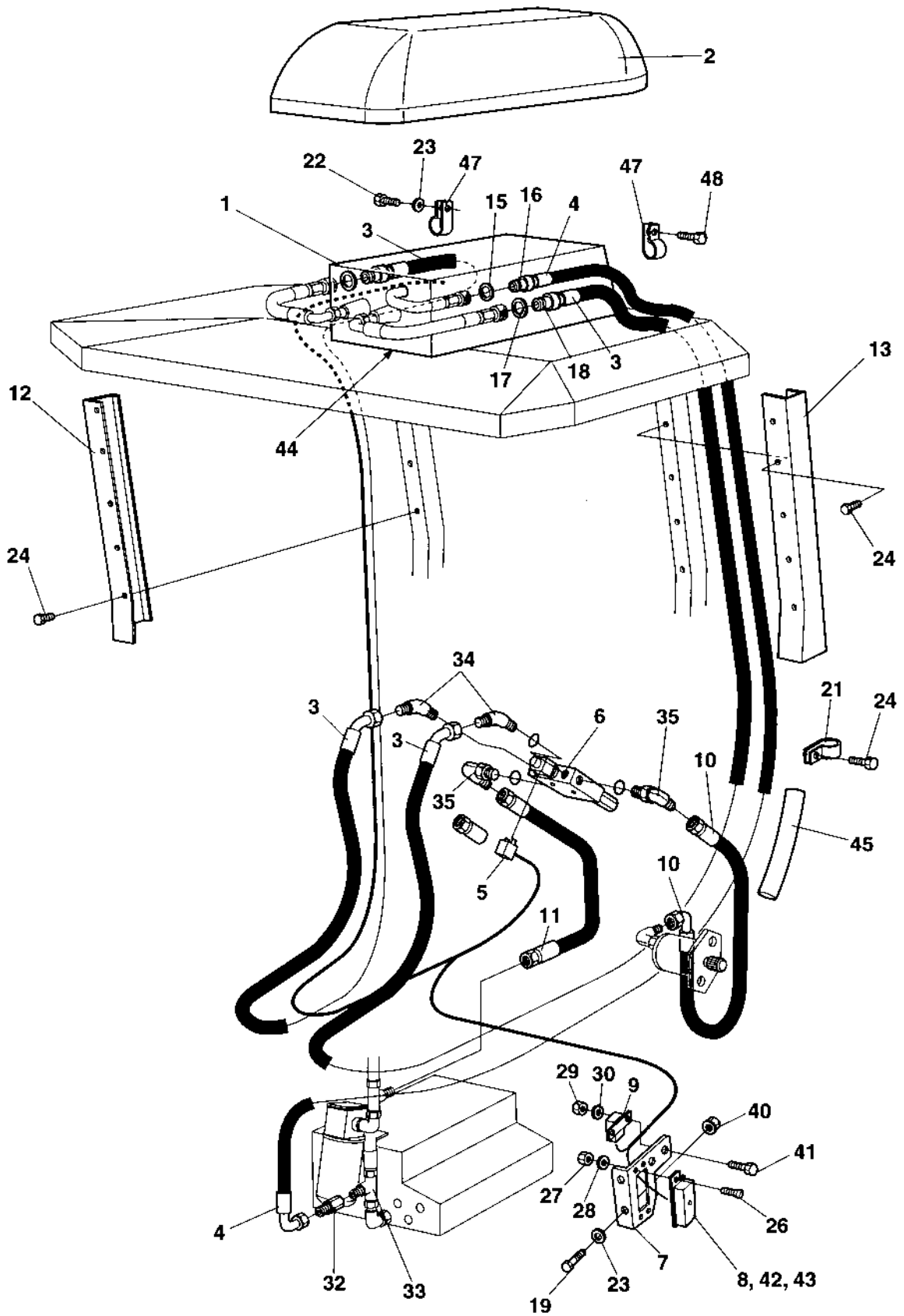
A) L=0,4 m

B) Kit



Brake release, prop. motors

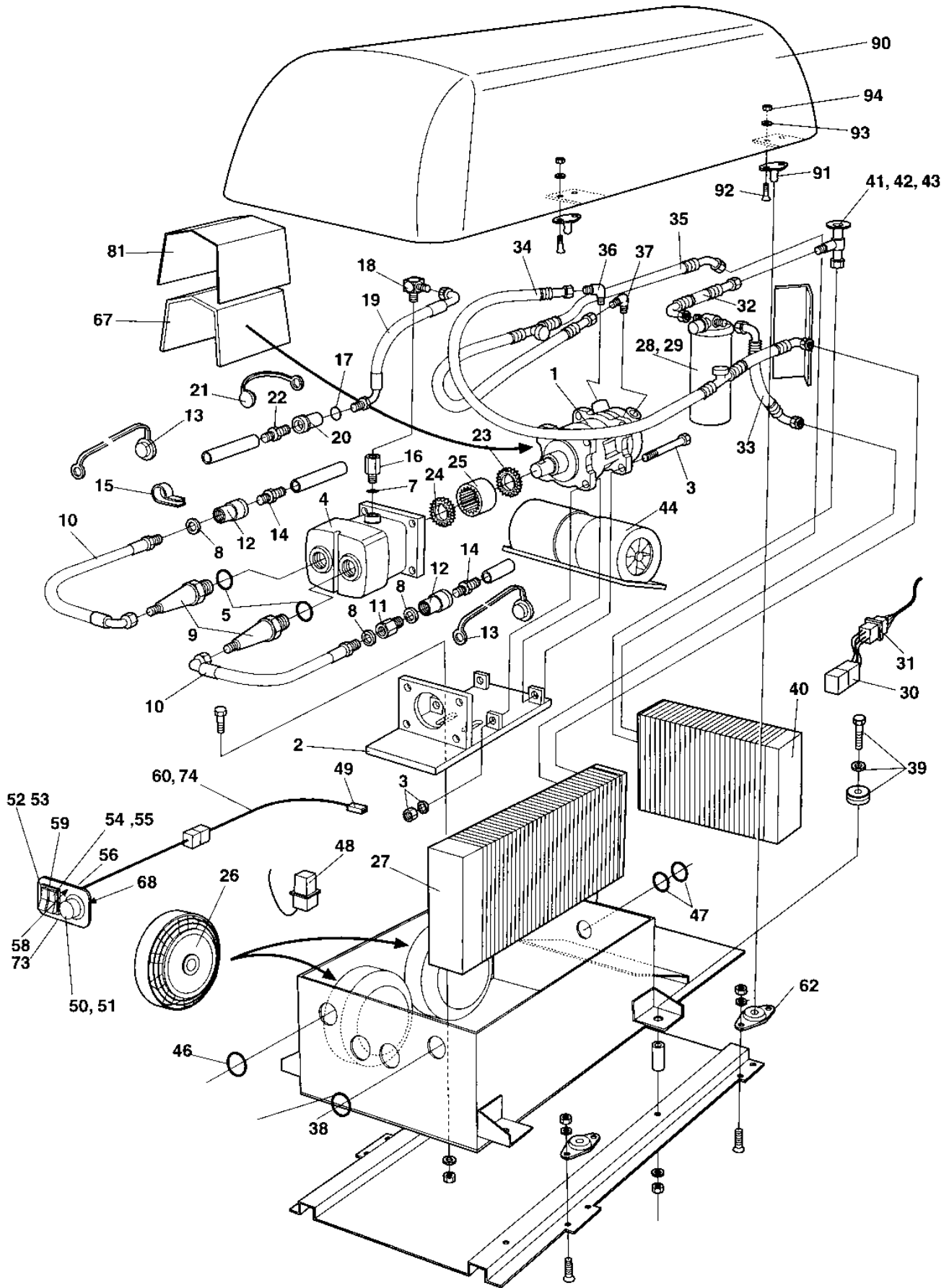
Ref. No.	Part No.	Rem.	Qty	Description	Code
1	357892		1	Stirrup	
2	902458		1	Screw	
3	904232		1	Washer 17x30x3	
4	570008		1	Nut	



Air conditioner assembly

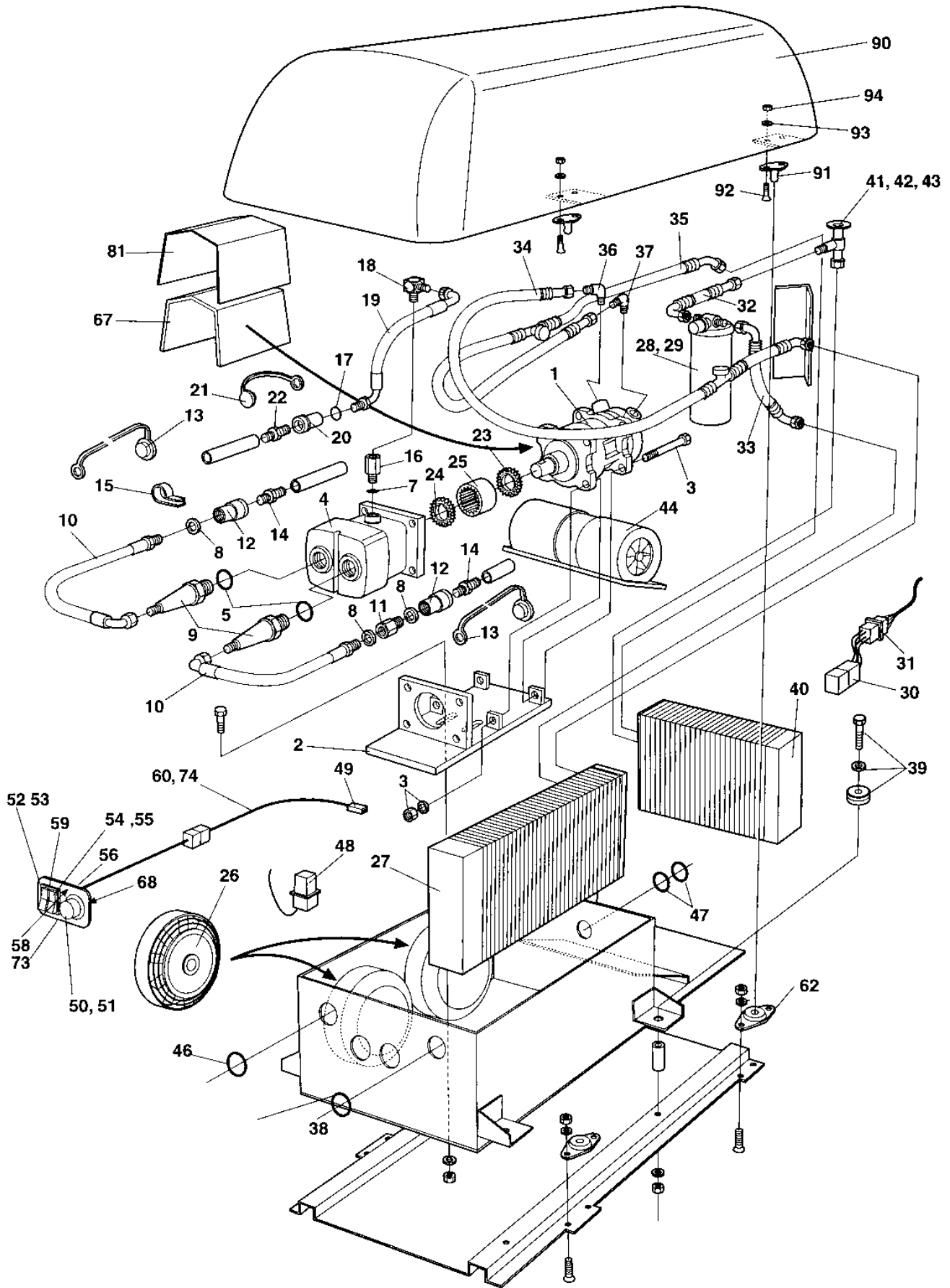
Ref. No.	Part No.	Rem.	Qty	Description	Code
1	370889		1	Air conditioner unit (Page 312)	
2	370758		1	Air cover	
3	373732		2	Hydraulic hose	
4	370922		1	Hydraulic hose	
5	376186		1	Cable harness	
6	370720		1	Direction control valve	
7	370891		1	Bracket	
8	901256		1	Fuse box	
9	904448		1	Relay	D
10	482184		1	Hydraulic hose	D
11	482966		1	Hydraulic hose	
12	370921		1	Hose guard	
13	370892		1	Hose guard	
15	162004		1	Sealing	
16	903742		1	Coupling	
17	162006		2	Seal ring	
18	903743		2	Coupling	
19	500021		10	Screw M8-1,25x25 8,8	
21	921045		4	Pipe clamp	
22	500018		2	Screw M8-1,25x12 8,8	
23	904229		8	Washer 8,4x16x1,5	
24	541703		14	Screw M6x16	
26	533010		2	Screw	
27	570002		2	Nut M4	
28	904698		4	Washer 4,3x8x0,8	
29	570004		2	Nut M6	
30	904228		2	Washer 6,4x12x1,5	
32	334461		1	Reducing	
33	334135		1	T-connector	
34	234131		2	Elbow 45, O-ring	
35	334604		2	Connector	
40	586003		2	Lock nut M8	
41	533038		2	Screw	
42	903741		3	Fuse 20A	D
43	901240		2	Connector	
44	370918		1	Gasket	
45	903082	A	1	Hose shield	
47	921044		4	Clamp	
48	500022		2	Screw M8-1,25x30 8,8	

A) L=500 mm



370889 Air conditioner unit

Ref. No.	Part No.	Rem.	Qty	Description	Code
1	935045		1	Compressor	
	938311		1	.Hose connection Vertical	
2	935046		2	Bracket	
3	935047		1	Screw, set	
4	935048		1	Hydraulic motor	
5	935049		2	O-ring	
6	935050		2	Connector	
7	935051		2	Connector	
8	935052		5	Sealing	
9	935053		2	Adapter	
10	935054		2	Hydraulic hose	
11	935055		1	Adapter	
12	935056		2	Connection	
13	935057		2	Dust cover	
14	935058		2	Connection	
15	935059		2	Rubber clamp	
16	935060		1	Connection	
17	935061		2	Sealing	
18	935062		1	Adapter	
19	935063		1	Hydraulic hose	
20	935064		1	Connection	
21	935065		1	Dust cover	
22	935066		1	Connection	
23	935067		1	Flange	
24	935068		1	Flange	
25	908676		1	Sleeve	
26	935069		2	Condensor fan	
27	908677		1	Condensor	
28	908678		1	Drying filter	
29	908679		1	Clamp	
30	908680		2	Relay	
31	908681		2	Relay socket	
32	908682		1	Hose	
33	908683		1	Hose	
34	908684		1	Hose	
35	908685		1	Hose	
36	935070		1	Connection	
37	935071		1	Connection	
38	908686		5	Grommet	
39	908687		4	Flange	
40	908688		1	Evaporator	
41	908689		1	Expansion valve	
42	908690		1	Clamp	
43	908691		1	O-ring	
44	908692		1	Evaporator fan	
45	908705		1	Connector	
46	935072		1	Grommet	
47	908664		2	Grommet	
48	935073		2	Electric connection	
49	908694		1	Connection	
50	936711		1	Potentiometer	
51	908696		1	Switch	
52	908697		1	Switch fan	
53	908698		1	Symbol cool-fan	
54	908699		1	Switch fan	
55	908700		1	Symbol fan	
56	908701		2	Isolator	
57	908702		1	Grommet	
58	908703		1	Decal	
59	908704		2	Switch panel	



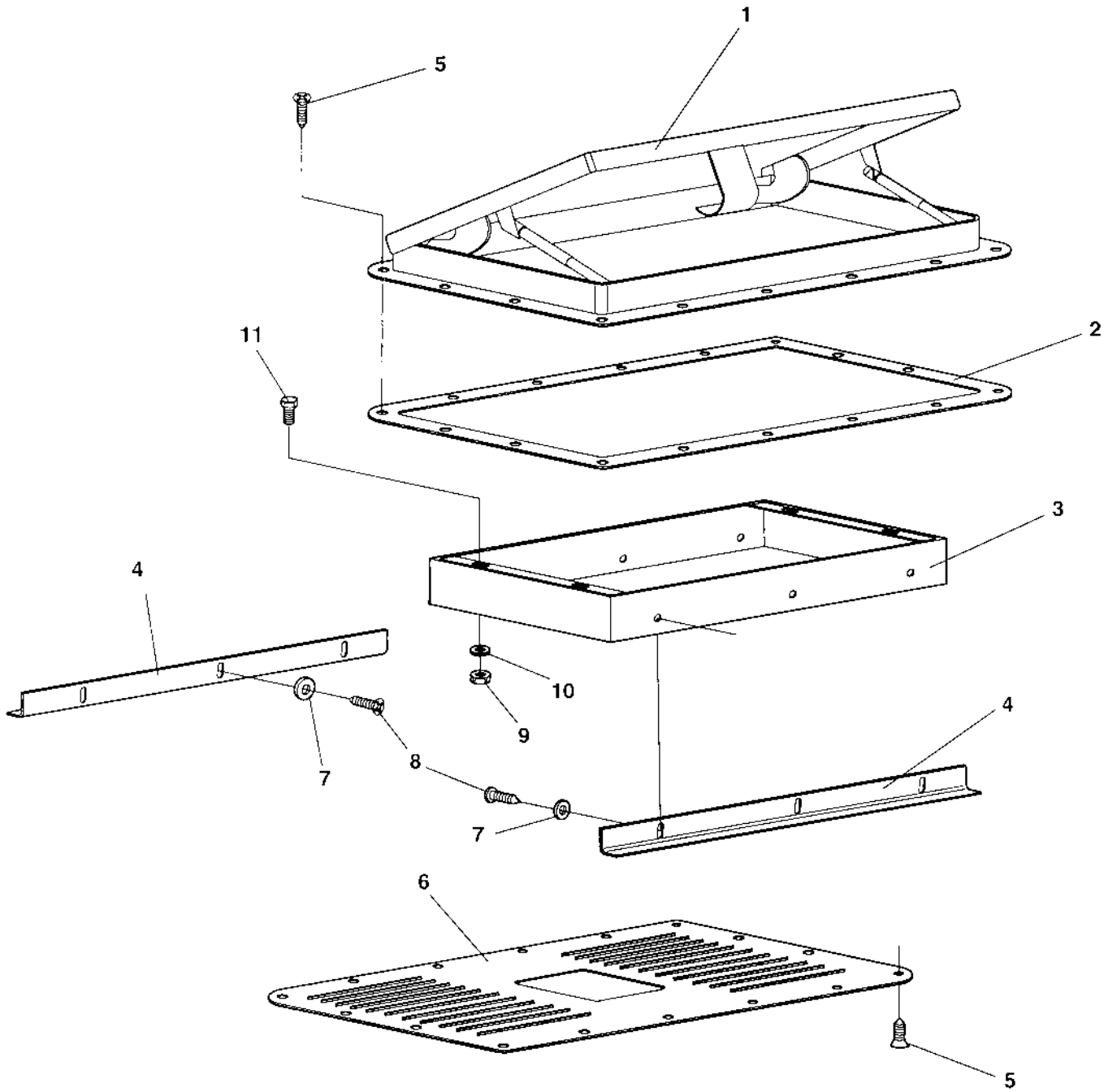
370889 Air conditioner unit

Ref. No.	Part No.	Rem.	Qty	Description	Code
60	935074	A	N	Protecting hose	
61	935075		1	Gasket	
62	935076		4	Quick fastener	
63	935077		4	Bracket	
64	908706		1	Rubber clamp	
65	908663		1	Rubber plug	
66	935078		1	Adapter	
67	935079		1	Cover	
68	935080		1	Diode	
69	935081		1	Switch panel	
70	935082		1	Decal "WARNING"	
71	935083		1	Decal "INSTRUCTIONS"	
72	935084		1	Decal, 12V	
73	903969		2	Screw ST4,8x19 Black	
74	370917		1	Cable harness	
90	370758		1	Air cover	
91	450067		4	.Door bumper	D
92	535008		4	.Screw	
93	904281		4	.Washer 5,3x10x1	
94	586001		4	.Lock nut M5	

A) L=1200 mm

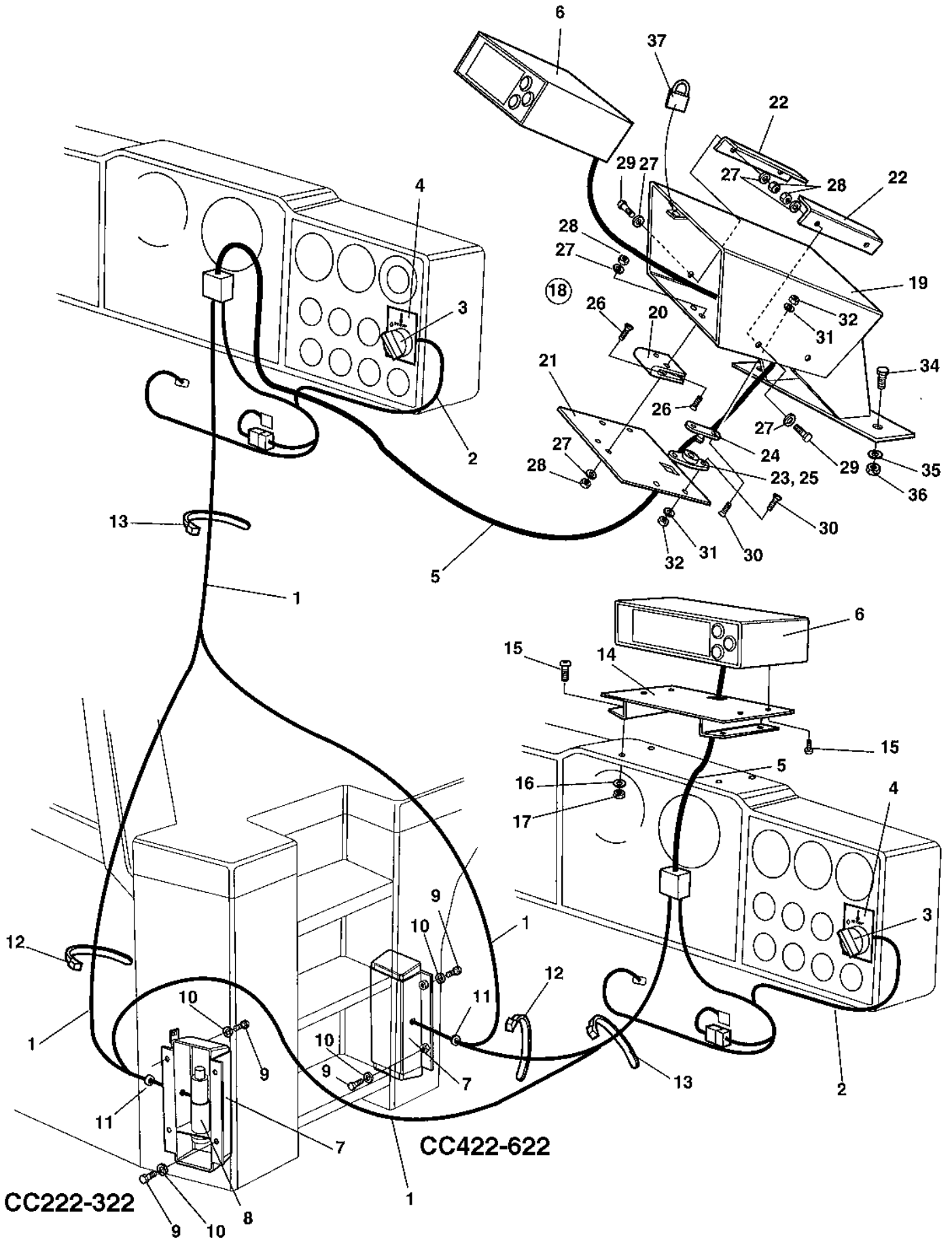
Roof hatch

17374



Roof hatch

Ref. No.	Part No.	Rem.	Qty	Description	Code
1	382702		1	Roof hatch	
2	382701		1	Gasket	
3	382699		1	Inner roof insert	
4	383002		2	Inner roof holder	
5	904906		32	Screw	
6	382700		1	Inner cover	
7	601001		6	Washer	
8	903852		6	Screw ST4,2x13	
9	570004		4	Nut M6	
10	904228		4	Washer 6,4x12x1,5	
11	500040		4	Screw M6-1x20 8,8	



Asphalt temperature meter

Ref. No.	Part No.	Rem.	Qty	Description	Code
1	388522		1	Cable harness	
2	388523		1	Cable harness	
3	930151		1	Switch	D
4	388561		1	Sign	
5	388524		1	Cable harness	
6	388775		1	Temperature meter	
7	387981		1	Box	
8	387982		1	Temperature sender	
9	500053		4	Screw M8-1,25x20 8,8	
10	904229		4	Washer 8,4x16x1,5	
11	791594		1	Grommet	
12	925802		N	Cable ties L=142 mm	
13	313068		N	Cable ties L=92 mm	
14	387988	1	1	Bracket	
15	904653	1	8	Screw	
16	904281	1	4	Washer 5,3x10x1	
17	586001	1	4	Lock nut M5	
18	389004	2	1	Temperature meter box, cpl	
19	389109	2	1	.Box	
20	928041	2	1	.Hinge	D
21	389110	2	1	.Cover	
22	389111	2	1	.Holder	
23	904909	2	2	.Door bumper	
24	904907	2	2	.Door bumper	
25	904908	2	2	.Rubber part	
26	513008	2	5	.Screw	
27	904228	2	13	.Washer 6,4x12x1,5	
28	904563	2	9	.Lock nut	
29	500013	2	4	.Screw M6-1x16 8,8	
30	513027	2	8	.Screw	
31	904698	2	8	.Washer 4,3x8x0,8	
32	923976	2	8	.Nut	
33	902566	A,2	4XL	.Rubber strip	
34	500022	2	2	Screw M8-1,25x30 8,8	
35	570005	2	2	Nut M8	
36	904229	2	2	Washer 8,4x16x1,5	
37	358881	2	1	Pad lock	

- 1) Valid for machines with cab.
 2) Valid for platform machines.
 A) L= 0,1 m

Part Number	Page	Part Number	Page	Part Number	Page
100040	27,43	313035	79	349248DE	283
114060	17,19	313038	85	349248EN	283
	71	313041	221,229	349248ES	283
116041	21		291	349248FR	283
150003	33	313068	319	349248IT	283
151019	175,177	313094	87	349248SE	283
160058	85	313102	67,103	349715	71
160105	17			349830	51
160107	17	313108	79	350009	231,233
160279	143	313147	245	355258	195
160287	147,151	330171	169	355301	205
	155	330328	79	355983	283
160344	19	330331	77	357138	13
162004	311	330383	77	357139	147
162006	311	330435	147	357141	147
162017	71	330438	131	357425	227,255
162018	71	334121	103	357426	227
162024	169,171	334132	97	357427	227
162027	71	334135	97	357459	51
167023	17	334138	131	357488	31
167032	27	334155	97	357526	191
202011	81	334156	131	357587	283
202028	33	334158	131	357643	227,257
202041	51	334196	171		
202043	279	334197	131,153	357855	189
202046	81		157	357892	309
202057	45	334199	297	358090	283
205067	147,167	334203	147	358254	283
212339	101,139	334234	97	358388	99,137
212373	7,9,11	334236	169	358452	219
	13,77	334239	133	358575	71
230515	77	334248	131	358684	67
232097	151	334249	171	358846	51
232122	147	334264	151	358881	189,287
234131	147	334389	131		
234218	147	334420	169	359003	51
234233	97,131	334461	147	359036	83
	135,179	334468	131	359043	241
234243	97	334523	151	359047	51
234340	129	334524	153	359048	51
234341	169	334558	143	359125	241
234342	171	334589	131	359140	95,141
234349	85	334604	131	359141	95
234358	169	335914	103	359142	95
234365	81	337042	43	359143	95,105
234388	169,297	337045	27		107,113
	299	338304	147,149		115
234667	147			359144	95,117
234687	179	340862	143		119,125
234746	97	343017	283		127
234806	151	343318	71	359145	95,159
234810	97	343321	71	359146	79
234840	85	343462	71	359148	43
234843	131	343550	195,197	359151	75,89
234900	131		223		91
234921	151	343732	103	359155	71
234953	131	343744	71	359192	169
234958	131	343775	31	359203	71
244026	307	343801	71	359224	79
244054	51,55	343872	103	359231	169
	59,61	343933	71	359314	31
	301	344138	129	359322	31
272372	283	344196	71	359339	71
272373	283	345139	191	359340	195
277992	307	345870	195	359341	195
287597	203	345871	27	359342	195
287598	203	345872	27	359343	197
287713	301	345873	27	359344	197
297018	81	345874	27	359347	191
310008	27	345875	27	359349	231
311016	307	347119	163,165	359434	37
313001	85	347802	153	359444	51
313002	51	348182	171	359446	51
313006	81	348213	291	359448	303
313008	147	348331	231	359455	39
313009	81	348347	183	359551	131
313010	79	348481	243	359552	131

Part Number	Page	Part Number	Page	Part Number	Page
359557	131	370117	243	370864	79
359563	103	370118	205	370865	71
359564	147	370155	151	370871	31
359574	231	370160	227	370872	31
359575	243	370161	203	370873	31
359583	33	370165	189	370874	31
359618	85	370170	191	370882	79
359621	85	370211	231	370889	311,313
359622	85	370230	89		
359647	131	370231	71	370891	311
359648	97	370232	89	370892	311
359649	147	370233	203	370915	103
359650	147	370234	231	370916	103
359719	85	370235	231	370917	315
359720	85	370258	227	370918	311
359767	169	370260	95,145	370921	311
359773	169	370286	227	370922	311
359776	223	370287	227	370924	87
359788	241	370294	227	370925	87
359793	241	370298	227	370928	79
359810	241	370324	77	370929	79
359813	241	370325	45	370930	77
359814	241	370326	45	370935	77
359815	241	370327	45	370936	77
359816	241	370364	227	370937	77
359817	241	370365	71	370953	83
359818	241	370375	227	370955	241
359819	241	370398	43	370989	103
359820	241	370405	37	370990	103
359822	237,239	370406	37	370991	103
359843	189	370408	37	370992	103
359844	189	370409	37	370994	211
359845	189	370425	221	371001	33
359886	229	370485	79	371002	33
359887	227,247	370486	77	371008	33
359888	229	370490	87	371009	243
359889	229	370491	87	371016	219
359893	241	370492	87	371017	219
359894	229	370498	79	371018	227
359900	231	370501	79	371036	219
359908	231	370520	85	371043	227
359911	231	370530	31	371046	227
359914	231	370601	31	371052	227
359915	231	370618	87	371053	227
359916	231	370641	103	371056	227
359917	233	370644	201	371057	227
359918	225,235	370651	53	371058	219
359919	231	370661	33	371062	255
359920	231	370662	229	371069	229
359921	231	370688	33	371070	229
359924	237	370695	207	371079	187
359928	243	370699	53	371091	77
359929	243	370715	33	371093	33
359930	243	370720	311	371098	33
359931	243	370744	207,211	371101	241
359932	243	370745	53	371113	85
359940	243	370746	53	371121	183
359941	205	370747	53	371122	183
359950	71	370758	311,315	371130	33
359955	71	370763	183	371154	203
359956	71	370766	253	371159	97
359965	31	370770	31	371197	97
359966	31	370771	31	371199	147
359967	31	370776	147	371200	147
359969	31	370783	183	371221	303
359970	31	370786	151	371225	79
359971	233	370794	53	371254	85
359972	233	370806	33	371273	229
359998	229	370811	33	371274	191
370005	51	370817	227	371318	221
370006	55	370820	33	371321	45
370049	97	370825	77	371323	45
370058	283	370835	305	371359	77
370071	205	370840	79	371364	219
370075	183	370843	45	371380	45
370084	283	370844	45	371381	45
370085	283	370860	79	371389	45

Part Number	Page	Part Number	Page	Part Number	Page
371390	45	372616	249	373929	247
371413	45	372618	193	373930	247
371415	221	372648	77	373934	247
371419	169	372658	33	374060	155
371437	169	372672	231	374101	129
371438	95	372674	219	374105	189
371442	223	372675	45	374117	249
371449	45	372699	33	374139	53
371450	45	372700	33	374213	203
371451	45	372704	227	374225	291
371452	45	372718	53	374271	291
371462	249	372731	83	374272	291
371468	41	372762	77	374293	291
371469	41	372774	183	374294	291
371473	147	372775	183	374296	67
371522	249	372819	77	374297	67
371523	45	372832	33	374300	67
371556	45	372860	183	374345	295
371569	45	372918	193	374379	189
371642	71	372928	173	374417	241
371665	219	372954	249	374436	67
371666	45	372955	249	374452	183
371669	147	372958	45	374481	95,109
371707	147	372959	241		111
371710	253	372960	241	374482	95,121
371727	77	372964	231		123
371730	277	372965	241	374493	291
371750	215	372966	241	374545	51
371770	67	372991	95,161	374550	51
371819	251	373000	183	374551	303
371837	275	373035	33	374615	203
371840	211	373036	33	374616	207
371845	253	373037	153	374620	183
371847	253	373096	291	374621	207
371885	221	373153	33	374622	211
371889	221	373177	243	374756	217
371914	41	373183	171	374763	103
371960	267	373213	81	374837	71
372008	291	373289	49	374840	71
372091	227	373290	49	375031	95
372092	227	373291	49	375158	173
372093	227	373292	49	375540	45
372094	227	373293	49	375663	43
372097	207,209	373294	49	375665	43
372103	189	373302	85	376074	41
372104	189	373304	85	376075	41
372105	189	373343	33	376174	203
372112	103	373349	33	376177	193
372121	283	373353	221	376181	209
372122	283	373354	75,93	376183	223
372123	283	373399	227	376184	219
372124	283	373400	227	376186	311
372126	45	373406	95	376188	221
372161	283	373410	95	376189	221
372229	7	373422	45	376190	221
372266	297	373425	49	376191	301
372315	301	373432	49	376192	183
372364	301	373433	49	376193	183
372369	81	373474	249	376194	209
372394	81	373476	49	376195	209
372426	81	373581	199	376196	209
372451	77	373582	201	376197	213
372452	81	373585	49	376198	187
372490	87	373586	49	376199	213
372491	87	373611	183	376200	291
372525	77	373612	207	376201	291
372539	77	373613	211	376245	213
372544	79	373614	207	376249	55
372562	211	373665	77	376287	183
372566	45	373668	81	376395	205
372574	55	373694	87	376396	245
372576	193	373732	311	376449	167
372589	23	373819	41	380030	31
372590	253	373821	81	380101	77
372597	79	373890	83	380177	253
372602	33	373920	129	380178	253
372603	33	373928	247	380447	85

Part Number	Page	Part Number	Page	Part Number	Page
380661	41	482987	97	500071	147
380691	41	482988	169	500075	33
380708	205	482989	169	500076	71
380812	41	482991	147	500078	97
380979	173	483002	131	500079	291
380993	27	483004	97	500086	205
381137	67	483008	131	500093	71
381148	67	483016	147	500109	41
381619	51	483017	169	500111	41
381675	45	483019	131	500161	39
381676	245	483045	297	500163	71
381888	55	483063	131	500169	237
382023	85	483066	97	500194	77
382699	317	483067	131	500195	41
382700	317	483069	179	500197	77
382701	317	483071	131	500198	243
382702	317	483072	97	500208	73
382896	55	483086	147	500209	31
383000	41	483087	153	500228	227
383002	317	483099	147	500267	87
383200	253	483110	179	500269	31
383408	41	483127	151	502036	147
383436	31	483136	151	502047	131
383452	291	483195	129	502132	97
383626	33	483204	297	503010	245
383947	41	483205	299	508001	269
383948	41	483206	299	508018	45
384498	27	483208	297	508019	71
385264	213	483209	297	508029	89
387981	319	483210	297	508042	43
387982	319	483235	129	508056	241
387988	319	483248	131	508084	71
388522	319	483412	155	509025	89
388523	319	483457	131	513003	241
388524	319	485005	307	513008	275
388561	319	485006	307	513012	51
388775	319	485011	307	513013	227
389004	319	485019	307	513014	103
389109	319	485037	307	513025	269
389110	319	485040	307	513027	319
389111	319	485388	307	513028	33
389577	219	499097	85	516051	231
416004	237	499266	83	522007	237
416034	249	500001	239	527002	71
433830401	97	500004	129	533006	33
450067	315	500006	183	533008	51
450122	25	500012	255,263	533010	311
465013	243		265,269	533013	203
470021	183	500013	45	533024	237
475064	33	500015	247	533030	209
476019	305	500016	55	533031	207
480446	159	500018	45	533038	85
480447	159	500019	71	533050	223
480449	159	500021	33	535003	301
480450	159	500022	45	535005	255
480468	159	500023	47	535008	315
482056	131	500024	45	535053	45
482184	311	500028	67	541526	291
482206	299	500029	77	541702	213
482213	169	500030	33	541703	221
482243	169	500031	37	541708	81
482316	147	500037	43	570002	205
482467	97	500039	97	570004	33
482470	97	500040	33,271	570005	55
482716	97			570006	37
482730	169	500041	59	570007	77
482734	151	500043	31	570008	51
482746	179	500044	219	570019	243
482747	97	500046	77	570102	79
482750	131	500047	45	570104	31
482815	147	500048	85	573004	243
482836	169	500049	31	573005	67
482966	311	500051	183	573008	241
482968	97	500053	33	586001	45,185
482972	131	500056	37		
482973	135	500061	147	586002	33
482975	131	500070	71	586003	45

Part Number	Page	Part Number	Page	Part Number	Page
586018	41	901191	59	902917	51
586019	37	901209	221	902918	51
586021	103	901212	307	902928	99
586022	227	901213	307	902937	141
600001	227	901225	203	902944	109
600002	51	901226	203	902959	101
600004	33	901227	203	902962	105
600006	33	901228	203,273	903010	55
600007	147	901229	203	903082	147
600008	79	901240	203	903340	45
600009	33	901256	203	903341	45
600011	241	901297	55	903342	51
600016	163	901298	55	903343	45
600020	229	901309	55	903344	45
601001	209	901315	255	903345	51
603001	231	901350	77	903366	31
603006	147	901369	207	903382	79
603009	147	901431	55	903395	243
603019	33	901448	77	903422	169
603020	45	901449	77	903423	283
603023	33	901452	99	903424	283
615041	237	901453	99	903425	283
615061	31	901454	99	903436	189
615076	33	901455	99	903459	129
624011	305	901458	99	903523	51
624015	275	901463	101	903524	103
624016	237	901464	101	903540	55
624021	227	901465	101	903541	55
629016	243	901466	101	903543	55
629066	277	901467	101	903570	99
630008	241	901475	101	903571	99
630020	169	901476	101	903574	101
630035	241	901727	139	903575	101
635057	31	901732	139	903579	99
635061	163	901733	139	903580	99
747691	77	901765	221	903582	223
791253	205	901766	183	903586	241
791389	209	901767	203	903599	189
791594	319	901828	243	903600	189
791916	217	901837	55	903601	189
801198	97	901841	55	903602	189
801567	183	901851	183	903606	229
801781	179	901993	207	903609	283
813316	151	901994	207	903611	283
813321	179	902064	207	903618	163
813429	147	902066	207	903619	163
813444	147	902163	227	903625	203
813500	147	902164	227	903626	55
813611	101	902166	33	903627	203
813618	101	902183	231	903631	183
813791	83	902184	231	903632	77
813822	99	902185	231	903653	189
821255	77	902186	231	903657	191
831118	155	902192	249	903658	189
892446	147	902194	249	903678	189
900229	131	902203	243	903683	85
900455	131	902212	79	903684	85
900528	205	902223	51	903685	85
900775	71	902227	207	903714	79
900790	207	902282	291	903716	199
900791	207	902285	147	903725	73
900792	207	902286	71	903731	229
900793	207	902288	291	903735	31
900794	207	902303	63	903736	253
900798	183	902458	309	903741	203
900827	77	902496	291	903742	311
900829	7	902508	275	903743	311
900904	221	902520	45	903747	97
900991	173	902528	205	903750	97
900992	173	902566	319	903758	183
900998	267	902578	307	903760	183
900999	267	902610	307	903763	77
901128	247	902803	219	903768	183
901145	229	902861	159	903773	147
901182	207	902866	33	903774	131
901183	207	902869	159	903782	259,261
901187	283	902916	51		

Part Number	Page	Part Number	Page	Part Number	Page
903786	169	904231	31	908205	173
903788	175	904232	51	908206	173
903792	253	904233	31	908207	173
903797	183	904234	253	908210	173
903798	183	904241	77	908211	173
903799	243	904260	73	908212	173
903802	269	904271	83	908213	173
903803	255	904272	47	908214	173
903804	271	904281	59	908249	261
903805	269	904313	207	908253	261
903806	255	904314	213	908255	261
903807	255	904315	209	908256	261
903808	255	904316	209	908259	261
903809	255	904317	209	908260	269
903812	147	904318	209	908261	269
903813	171	904329	295	908262	261
903824	221	904332	247	908263	269
903831	147	904338	247	908265	277
903852	317	904339	247	908266	211
903856	45	904345	67	908267	211
903857	45	904357	33	908268	255
903875	199	904379	77	908269	265
903876	191	904405	51	908270	265
903879	301	904448	183	908271	263
903907	247	904523	255	908272	263
903914	233	904556	77	908273	263
903915	79	904557	37	908278	263
903916	79	904563	319	908279	263
903917	231	904567	155	908280	263
903918	231	904588	301	908281	265
903927	195	904597	205	908282	265
903936	47	904603	167	908284	269
903937	47	904619	253	908287	269
903961	189	904637	131	908288	79
903969	275	904638	97	908290	79
903970	203	904640	35	908291	79
903987	29,65	904650	205	908292	79
903990	253	904653	319	908293	79
904004	131	904663	27	908294	79
904005	97	904697	223	908302	79
904016	195	904698	203	908352	99
904031	187	904703	37	908353	261
904032	185	904704	205	908354	269
904036	183	904707	85	908355	277
904037	183	904734	167	908356	275
904038	211	904735	33	908357	275
904039	207	904889	291	908358	275
904041	187	904890	291	908359	215
904044	183	904906	317	908361	277
904056	103	904907	319	908362	263
904059	83	904908	319	908363	265
904060	83	904909	319	908364	265
904083	295	904939	279	908377	99
904092	283	904940	279	908378	99
904095	283	904969	279	908399	83
904108	55	904970	279	908417	173
904116	55	904984	85	908432	99
904140	221	904989	203	908439	101
904142	177	908110	203	908448	101
904143	163	908184	237	908450	13
904144	163	908185	237	908451	13
904145	163	908186	237	908452	83
904166	177	908187	237	908458	79
904167	177	908188	237	908480	237
904174	81	908189	237	908487	131
904176	89	908190	237	908488	97
904180	253	908191	237	908494	255
904206	53	908192	237	908495	255
904207	189	908193	243	908496	255
904208	189	908195	243	908497	255
904209	49	908196	243	908498	255
904211	85	908197	243	908499	255
904213	131	908198	243	908500	255
904214	97	908199	243	908501	255
904228	41	908200	243	908502	255
904229	33	908201	243	908503	255
904230	37	908202	243	908504	255

Part Number	Page	Part Number	Page	Part Number	Page
908505	255	908598	271	908763	261
908506	255	908599	271	908764	261
908507	255	908600	271	908765	271
908508	255	908601	271	908766	271
908512	255	908602	273	908773	101
908513	255	908603	273	908783	159
908514	255	908604	273	908832	109
908515	255	908605	273	908834	105
908516	255	908606	273	908835	105
908517	255	908607	273	908854	105
908518	255	908608	273	908888	109
908519	255	908609	273	908890	105
908520	255	908610	273	908909	109
908521	255	908611	273	908986	269
908522	255	908612	273	908987	269
908523	255	908613	273	908993	261
908524	255	908614	273	909122	243
908525	259	908615	273	909152	219
908527	259	908616	273	909201	141
908529	259	908617	273	909202	141
908530	259	908618	273	909203	141
908531	259	908619	273	909204	141
908532	259	908620	273	909205	141
908533	259	908621	273	909206	141
908534	259	908622	273	909207	141
908535	259	908623	275	909208	141
908536	259	908624	275	909211	159
908537	259	908625	277	909215	139
908539	259	908626	277	909216	141
908540	259	908627	277	909217	141
908541	259	908663	315	909236	295
908545	261	908664	313	909237	295
908548	261	908676	313	909243	137
908549	261	908677	313	909267	55
908550	261	908678	313	909274	295
908551	261	908679	313	909275	295
908552	261	908680	313	909276	295
908555	261	908681	313	909277	295
908556	261	908682	313	909278	295
908557	261	908683	313	909279	295
908558	263	908684	313	909280	295
908559	263	908685	313	909281	295
908560	263	908686	313	909288	295
908561	263	908687	313	909289	295
908562	263	908688	313	909290	295
908563	263	908689	313	909291	295
908564	263	908690	313	909292	295
908565	265	908691	313	909293	295
908566	269	908692	313	909294	295
908567	269	908694	313	909298	295
908568	269	908696	313	909299	295
908569	269	908697	313	909301	295
908570	269	908698	313	909302	295
908571	269	908699	313	909303	295
908572	269	908700	313	909304	295
908573	269	908701	313	909305	295
908574	269	908702	313	909306	295
908575	269	908703	313	909307	295
908577	269	908704	313	909308	295
908578	269	908705	313	909309	295
908579	269	908706	315	909310	295
908580	269	908707	173	909311	295
908581	269	908747	255	909312	295
908582	269	908748	255	909313	295
908583	269	908749	255	909346	145
908584	269	908751	259	909349	101
908585	271	908752	259	909367	101
908586	271	908753	259	909374	99
908587	271	908754	259	909381	99
908588	271	908755	259	909386	99
908589	271	908756	259	909387	99
908591	271	908757	261	909388	99
908593	271	908758	261	909389	99
908594	271	908759	261	909390	99
908595	271	908760	261	909391	99
908596	271	908761	261	909392	99
908597	271	908762	261	909393	99

Part Number	Page	Part Number	Page	Part Number	Page
909398	99	926214	27	935072	313
909407	99	926220	241	935073	313
909428	101	926611	183	935074	313
909429	101	926658	137	935075	315
909430	101	926736	71	935076	315
909431	101	926989	201	935077	315
909432	101	927100	77	935078	315
909433	101	927233	33	935079	315
909434	101	927403	279	935080	315
909435	101	927510	139	935081	315
909436	101	927511	139	935082	315
909504	237	927645	173	935083	315
909505	81	928021	183	935084	315
909506	81	928041	51	935228	175
909507	81	928381	41	935229	235
909508	81	928466	229	935230	235
909510	255	928467	51	935231	235
909525	105	928497	243	935232	235
909529	173	928502	207	935233	235
909533	65	928849	303	935234	235
909629	81	928850	31	935235	235
909636	81	929012	159	935236	235
909641	101	929013	159	935237	235
909642	101	929014	159	935238	235
909643	101	929023	183	935239	235
909648	101	929122	131	935240	235
909653	77	929185	87	935241	235
909727	99	929217	31	935242	235
909743	153	929226	131	935243	235
909745	239	929419	55	935244	269
909746	239	929447	17	935373	161
909747	245	929455	207	935375	161
909748	245	929863	27	935399	91
909749	245	929881	63	935547	159
909750	245	930046	223	935548	159
909751	245	930150	183	935549	159
910161	97	930151	291	935605	101
910995	43	930154	191	935613	231
911456	199	930161	199	935614	231
911620	159	930163	191	935615	231
920775	55	930166	199	935619	99
921022	171	930192	199	935620	99
921028	77	930200	205	935621	99
921031	211	932032	205	935622	99
921039	211	932050	191	935632	101
921044	311	932056	199	935633	101
921045	311	932057	199	935634	101
921047	59	932058	191	935648	295
921072	291	932059	199	935649	295
921104	231	935044	77	935650	295
921119	153	935045	313	935667	91
921423	55	935046	313	935668	91
922325	243	935047	313	935669	91
922670	77	935048	313	935671	91
922671	77	935049	313	935674	91
923087	99	935050	313	935675	91
923253	45	935051	313	935676	91
923378	151	935052	313	935678	91
923384	97	935053	313	935679	91
923680	55	935054	313	935680	91
923683	55	935055	313	935681	91
923690	29	935056	313	935682	91
923734	55	935057	313	935684	91
923735	55	935058	313	935686	91
923859	55	935059	313	935733	91
923876	55	935060	313	935771	239
923962	55	935061	313	935772	239
923976	53	935062	313	935773	239
923984	55	935063	313	935855	99
924544	51	935064	313	935856	99
924996	55	935065	313	935857	101
925208	31	935066	313	935887	105
925227	31	935067	313	935888	105
925599	51	935068	313	935889	105
925713	201	935069	313	935890	105
925802	319	935070	313	935891	105
925958	301	935071	313	935892	105

Part Number	Page	Part Number	Page	Part Number	Page
935893	105	936561	99	937830	137
935894	105	936562	101	937831	137
935895	105	936565	101	937832	137
935896	105	936566	101	937833	137
935897	105	936567	101	937834	137
935898	105	936568	101	937835	137
935906	105	936576	101	937836	137
935907	105	936577	101	937837	137
935908	105	936579	101	937838	137
935909	105	936580	101	937839	137
935910	105	936583	101	937840	137
935911	105	936711	313	937841	137
935912	105	936929	137	937842	137
935913	105	936930	137	937843	137
935914	105	936931	137	937844	137
935915	105	936932	137	937845	137
935916	105	936933	137	937846	137
935920	105	937055	157	937847	137
935921	105	937061	145	937848	137
935922	105	937062	145	937849	137
935923	105	937063	139	937850	137
935924	105	937064	145	937851	137
935925	105	937065	145	937852	137
935926	105	937066	145	937853	137
935927	105	937067	145	937854	137
935928	105	937068	145	937855	137
935929	105	937069	145	937856	137
935930	105	937070	145	937857	139
935931	105	937071	145	937858	139
935932	105	937072	145	937859	139
935933	105	937075	145	937860	139
935934	105	937077	145	937862	139
935935	105	937078	145	937863	139
935936	105	937079	145	937864	139
935937	105	937080	145	937865	139
935938	105	937081	145	937866	139
935941	107	937083	145	937867	139
935944	107	937084	145	937868	137
935945	109	937085	145	937869	137
935950	77	937086	145	937958	239
935955	109	937087	145	938023	45
935956	109	937106	209	938125	295
935957	109	937107	209	938126	295
935958	109	937108	209	938311	313
935959	109	937109	209	938514	13
935960	109	937150	101	938516	13
935961	109	937160	139	938517	13
935962	109	937164	139	938527	5
935963	109	937165	279	938551	5
935964	109	937397	261	938552	5
935965	109	937398	261	938553	5
935966	109	937399	261	938558	15
935967	109	937400	261	938888	15
935968	109	937401	261	938891	15
935969	7	937404	261	938904	15
935972	139	937405	261	938905	15
936006	295	937406	269	938918	15
936145	173	937407	269	947689	303
936267	165	937408	269	960273	183
936268	165	937409	261	960792	205
936273	229	937410	261	985012	191
936274	229	937411	261	985013	207
936276	229	937412	261	985014	207
936288	101	937659	173	985051	255
936546	99	937730	93	985117	255
936547	99	937731	93	985126	219
936549	99	937732	93	985146	191
936550	99	937814	99	989151	147
936551	99	937815	99	991657	283
936552	99	937816	99	991658	283
936553	99	937817	101	999011	219
936554	99	937824	137	999027	183
936555	99	937825	137		
936556	99	937826	137		
936557	99	937827	137		
936558	99	937828	137		
936559	99	937829	137		

